

SLUICE GATE - SPK TG NPS 8-32

AREA OF USE: Sewer and stormwater, industrial facilities, process water and for the fishing and agricultural industry. SPK-TG seals from both sides.

ADVANTAGES WITH WAGATE SPK-TG:

- No welding of the frame and damper plate, which reduces the risk of corrosion, therefore longer operational life
- Built-in wedge system in the frame, ensuring 100% advancement of the damper plate against the gasket with sealing from two sides
- Encapsulated bearing and sliding parts built into a PEHD housing, thereby no degradation from the medium
- Non-rising spindle
- O-ring seal mounted in PEHD for possible replacement
- Square or circular opening with the possibility for a tight connection of pipe to the damper

OPERATION: Hand wheel. Can be used with electric, pneumatic, or hydraulic actuators.

SPECIAL DESIGN: Other pressure upon request. Spindle and nut above surface level (pedestal-mounted)

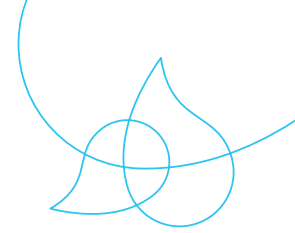


MATERIAL:

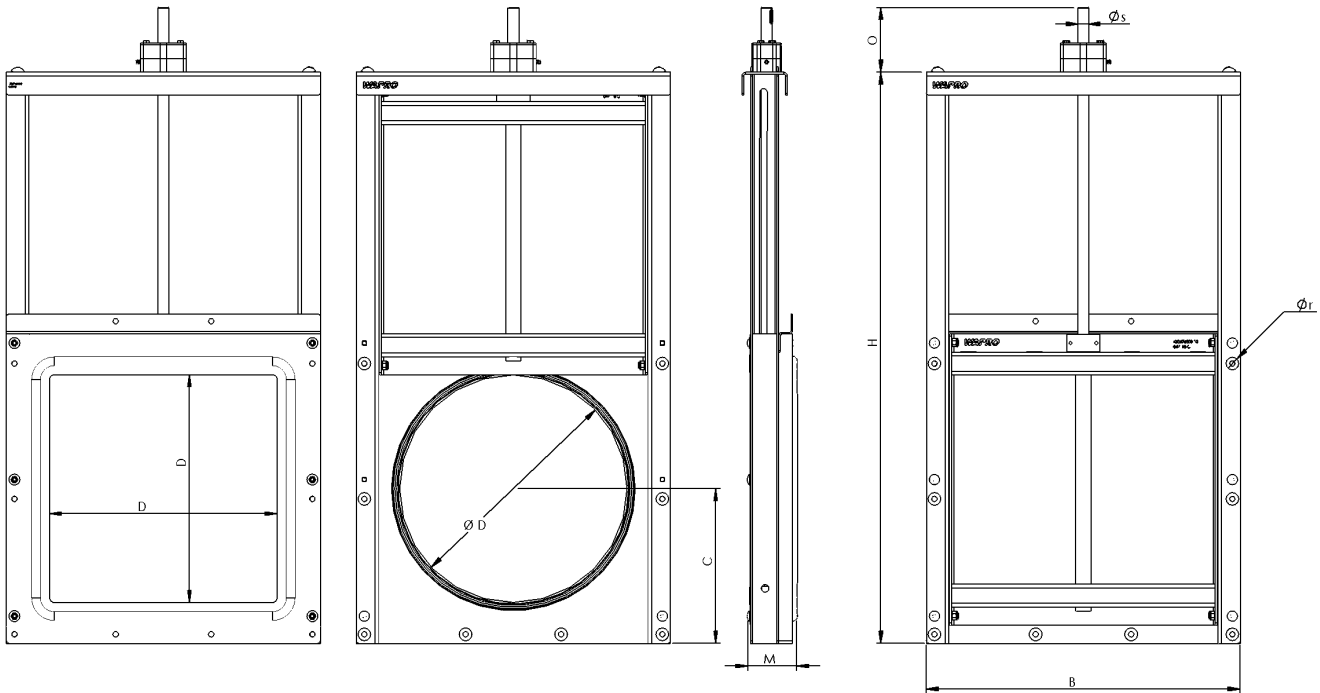
Frame	EN 1.4404 (EN 1.4462)
Damper plate	EN 1.4404 (EN 1.4462)
Back plate	PEHD
Spindle	EN 1.4571 (EN 1.4462)
Spindle nut	Tin bronze (Cu2Sn12)
Seal against the damper plate	EPDM
Seal against the wall	EPDM sponge rubber

TECHNICAL DATA:

Sealing according to	DIN EN 12266.1
----------------------	----------------



SLUICE GATE - SPK TG NPS 8-32



DIMENSIONS IN [INCHES]

NPS	D	B	C	H	M	ØR	O	ØS	NM	TURNS TO OPEN	WEIGHT [LBS]	MWC
8	7,87	13,86	6,30	22,56	3,66	0,28xØ0,47	4,96	0,71	0,16	50	46,3	6
10	9,84	15,83	7,28	26,50	3,43	0,28xØ0,47	5,75	0,71	0,24	63	48,5	6
12	12,40	18,94	9,45	33,39	3,62	0,31xØ0,47	5,59	0,71	0,28	75	66,1	6
16	15,75	23,15	11,02	40,00	4,33	0,31xØ0,47	5,63	0,71	0,35	100	88,2	6
20	19,69	27,17	13,39	49,41	4,37	0,39xØ0,47	5,59	0,87	0,47	100	132,3	6
24	24,80	32,28	16,14	59,69	5,20	0,51xØ0,47	5,31	0,87	0,75	120	187,4	5
28	27,95	35,83	17,72	65,98	5,35	0,51xØ0,47	7,60	0,98	0,94	140	231,5	3
32	31,50	39,37	19,49	73,11	5,35	0,51xØ0,47	7,99	0,98	1,18	160	275,6	3

Other dimensions on request. Reserves the right to changes.