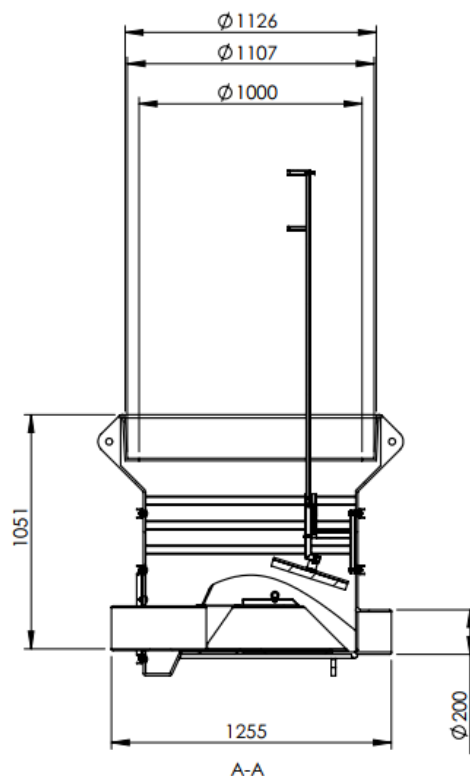


## WaBack® Access Technical Specification [ DN 200 mm ]

|                        |   |
|------------------------|---|
| <b>Model no.:</b>      | WB200-WA1000                            |
| <b>Nominal Size:</b>   | 200 mm                                  |
| <b>Material</b>        |   |
| Manhole:               | PE                                      |
| Membrane:              |   |
| Float:                 | PE                                      |
| O-ring:                | EPDM                                    |
| Bracket:               | Marine grade stainless steel (AISI 304) |
| Rubber joint:          | EPDM                                    |
| Plate:                 | PVC                                     |
| Fasteners:             | Stainless steel (AISI 316)              |
| Foam seal:             | PE-foam                                 |
| Damper:                | EPDM/304                                |
| Bracket:               | Marine grade stainless steel (AISI 304) |
| Stainless steel frame: | EN1.4301                                |

|                        |                     |
|------------------------|---------------------|
| <b>Technical data:</b> | WB200-WA1000        |
| Max back pressure      | 5 mH <sub>2</sub> O |
| Manhole size           | 1000                |
| Riser                  |                     |



\*) +/- 15%

- Values measured from bottom of pipe.

- Tests performed at room temperature (16-20°C). No pipe connected downstream