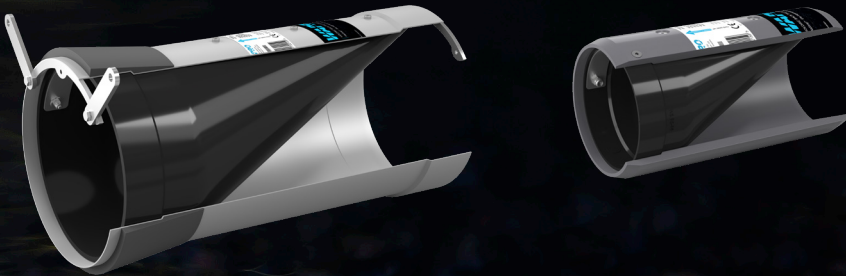




WASTOP INLINE CHECK VALVE

INSTALLATION MAINTENANCE & PRODUCT GUARANTEE



- ☑ PVC DN100-200 Standard (NPS 4"-8")
PVC DN75-200 Soft/Hard (NPS 3"-8")
PE DN200-315 Standard/Soft/Hard (NPS 8"-12")
- ☑ Stainless Steel DN100-200 Standard (NPS 4"-8")
Stainless Steel DN100-1800 Soft/Standard/Hard (NPS 4"-72")

Please note your product serial number:

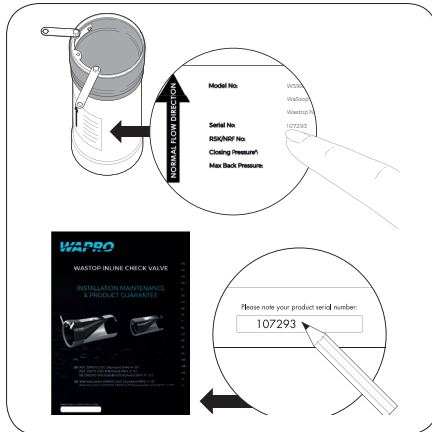
EN
SV
DK
NO
FI
DE
FR
SP
PT
IT
NL
CZ
EE
PL
HU
HR
AR
HE
LT
LV

**THANK YOU FOR PURCHASING A WAPRO PRODUCT.
FOR FURTHER PRODUCT INFORMATION PLEASE REFER TO WAPRO.COM.**

INDEX

INTRODUCTION4
PREPARATION4
TERMINOLOGY5
OPENING PRESSURE 6
MAINTENANCE7
INSTALLATION WITH MOUNTING TABS - OUTLET 8-9
INSTALLATION WITH MOUNTING TABS - INLET10-11
INSTALLATION WITH FLANGE12-13
INSTALLATION INSIDE PIPE - MOUNTING TABS14-15
INSTALLATION INSIDE PIPE - BOLT THROUGH BELL15
FLEXIBLE COUPLING INSTALLATION16
PVC INLINE INSTALLATION17-18
GUARANTEE19-38

SERIAL NUMBER:



CE CERTIFIED: SS-EN-13564 -1:2002 TYPE O
US PATENT NO. 6,810,914, PCT/SE00/02524

INTRODUCTION

The following installation guide is designed to provide installers with sufficient information to successfully install a WaStop check valve. Typically, our customers were provided with shop drawings prior to manufacture for both review and authorization to manufacture. These documents alone, however, may not provide all the guidance needed to install the WaStop.

WASTOP INLINE CHECK VALVE

Regardless of dimension, all WaStop share some specific features. There are two main methods of installing a WaStop; with mounting tabs and rubber seal or with a flange. The dimension of the bolt holes is noted on the shop drawings.

ORIENTATION

The WaStop should always be installed with the 'spine' of the membrane upwards. Depending on the dimension the WaStop could be pushed in place by hand or using lifting equipment and slings.

FASTENER

Wapro recommends the use of concrete anchor bolts or threaded rods secured with chemical anchors. Different applications might warrant other fasteners.

SEALANT

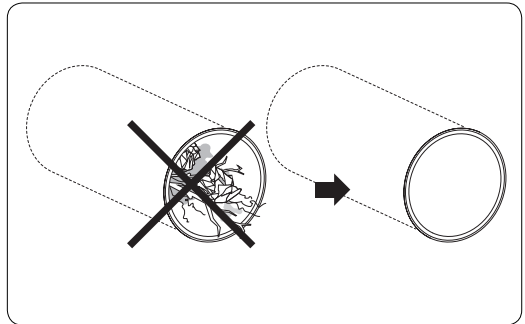
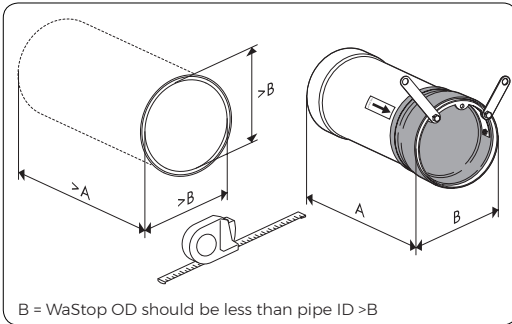
A rubber seal is provided with all WaStops designed to be installed using mounting tabs. Damaged, out of round or otherwise irregular pipes might require additional sealing material such as hydrophilic systems; swellable profiles or sealants such as SikaSwell to fill minor cracks. WaStop with flange does generally not include any seal or gasket due to the variation of sealants different installations require.

- If the concrete has minor irregularities: hydrophilic systems; swellable profiles or sealants such as SikaSwell are recommended to fill minor cracks.
- If the concrete has cracks or irregularities, a non-shrinking grout is recommended to fill the voids between the sealing area and the concrete wall/pipe.
- For flange installations: If the concrete wall is in good shape with no cracks, flush and otherwise not damaged it's usually enough with EPDM tape, silicone sealant or similar attached to the flange to seal between the flange and the concrete mounting surface.

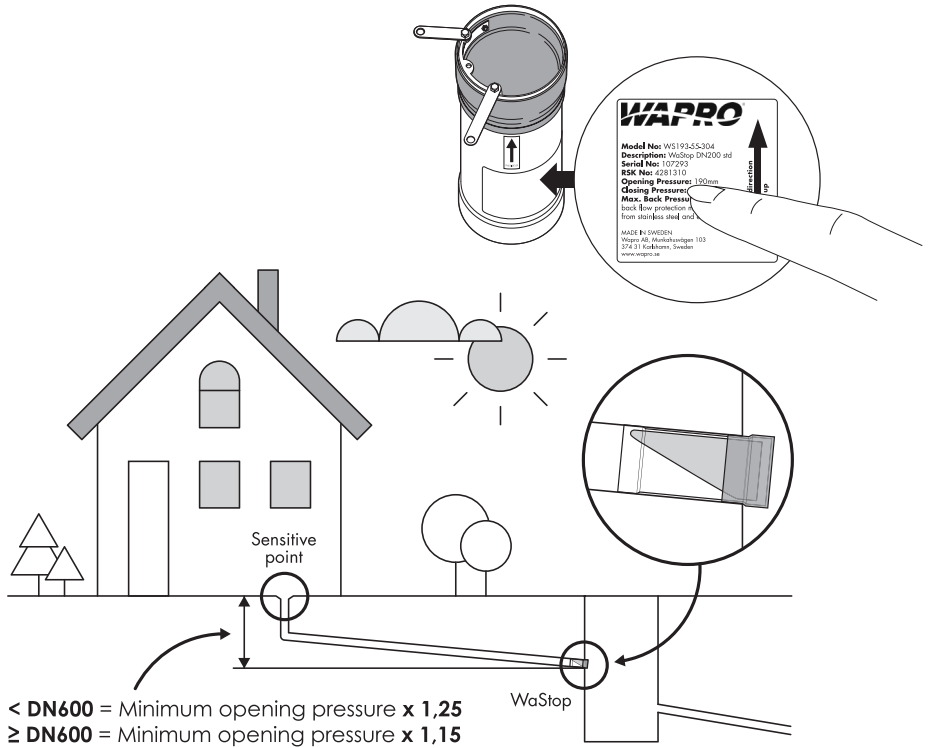
OVALITY

If the existing pipe is slightly out of round, it is possible to 'form' the WaStop to fit into the pipe. See drawings for more information.

PREPARATION



IMPORTANT: OPENING PRESSURE



MAINTENANCE

The WaStop should occasionally be inspected for damage, wear, and debris.

The recommended frequency is twice per year but should be determined by the environment in which the valve operates.

FASTENERS

Check the bolts holding the mounting tabs, flange, flexible couplings or pipe to make sure they have not loosened during operation.

SEAL

Make sure the gasket or seal is in place and looks to be in good condition. Check also additional sealant if such has been used.

MARINE GROWTH

Soft marine growth is common in submerged and partly submerged applications and should be removed where possible. Do not use any sharp tools as this risks cutting the membrane. Hard marine growth such as barnacles do not bond well to the WaStop membrane and should be easy to remove with a plastic scraper or similar.

MEMBRANE

For smaller dimensions (<600mm / 24") the membrane should be exercised by hand. In larger dimensions the membrane is difficult to exercise by hand and therefore a visual inspection of the surface of the membrane is recommended. If there is any sign of debris upstream of the WaStop, the membrane should be opened with a crowbar or similar. Take caution not to damage the WaStop. Use only stainless steel tools to minimize the risk of contaminating the stainless steel.

If there is any damage to the valve, contact your WaStop supplier with product serial number, purchase date, photos and information about the installation conditions.



2 x /year or as required

INSTALLATION WITH MOUNTING TABS AND RUBBER SEAL

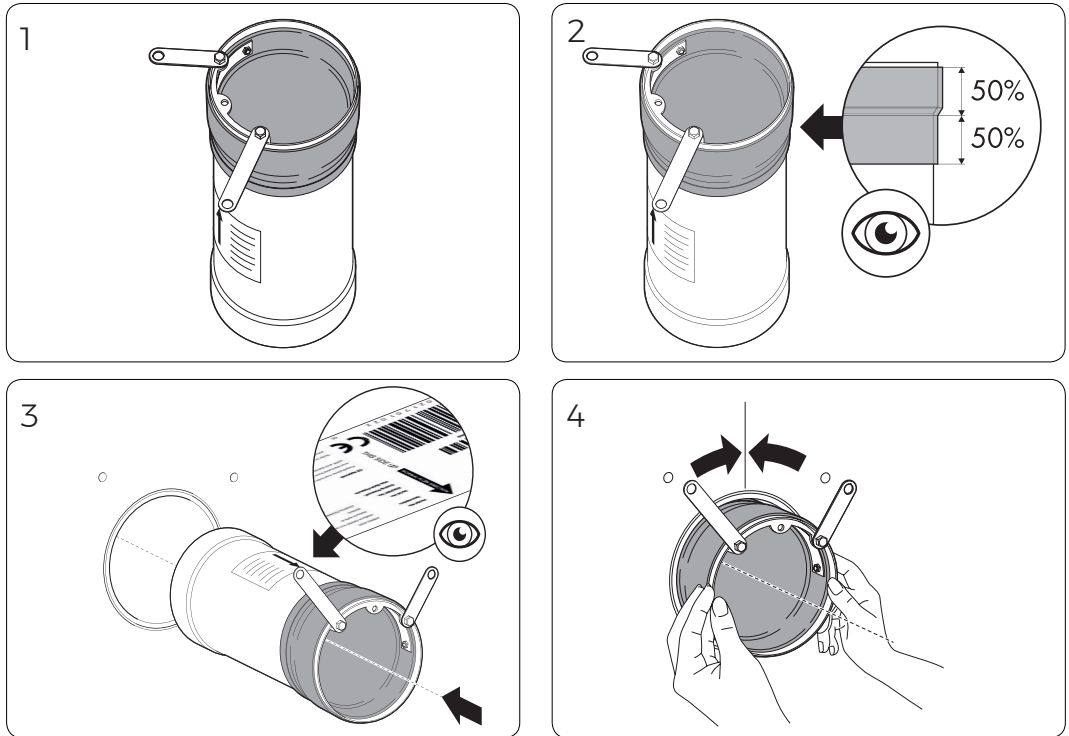
The rubber seal should be positioned halfway up the collar of the valve body, creating a step (diameter increase). When inserting the WaStop it should seal against the edge of the concrete pipe, see fig 4.

The mounting tabs are bolted to the concrete structure surrounding the host pipe, such as a wing wall or concrete chamber using the appropriate size fasteners.

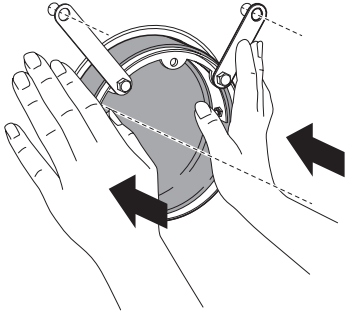
In case of cracks or out of round pipes, there might be a need for additional sealant according to section 'Sealants' (page 4).

In the case of a protruding host pipe with no headwall, the mounting tabs can be bent back onto the pipe. In some cases, custom-made tabs may be required to be able to bolt the mounting tabs into the concrete pipe instead of a wall. Contact your Wapro representative for more information.

OUTLET INSTALLATION STAINLESS STEEL (INLET INTO CHAMBER)

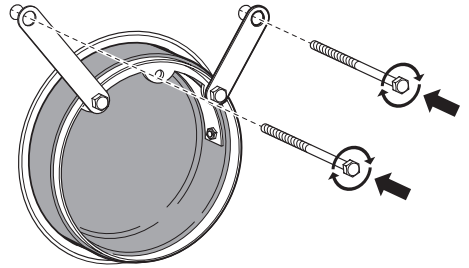


5



6

A4/316



INSTALLATION WITH MOUNTING TABS AND RUBBER SEAL

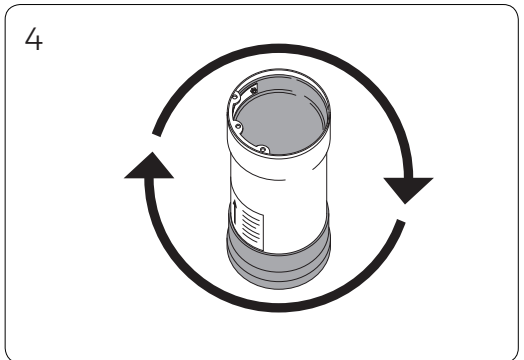
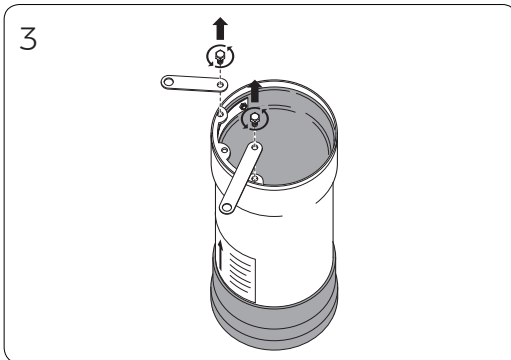
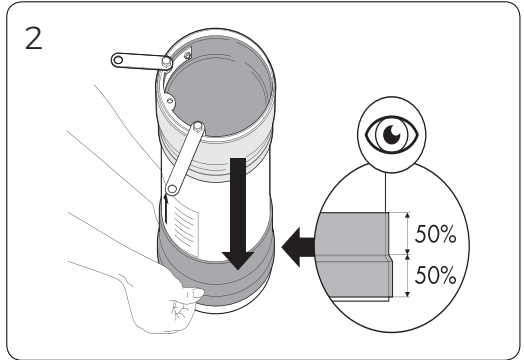
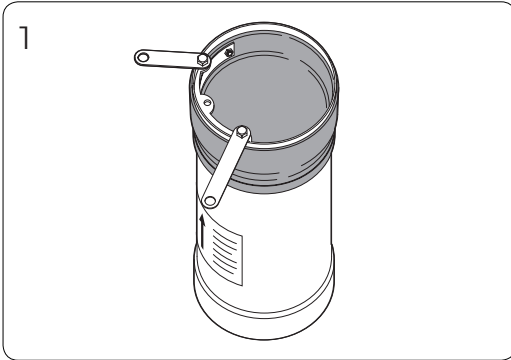
The rubber seal should be positioned halfway up the collar of the valve body, creating a step (diameter increase). When inserting the WaStop it should seal against the edge of the concrete pipe, see fig 4.

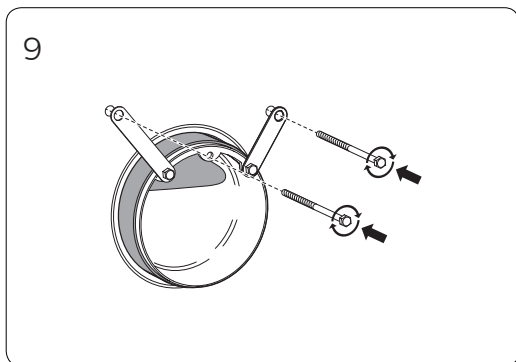
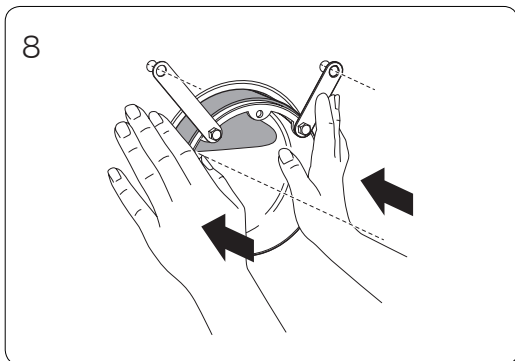
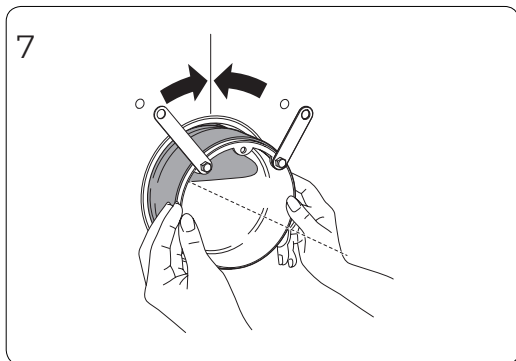
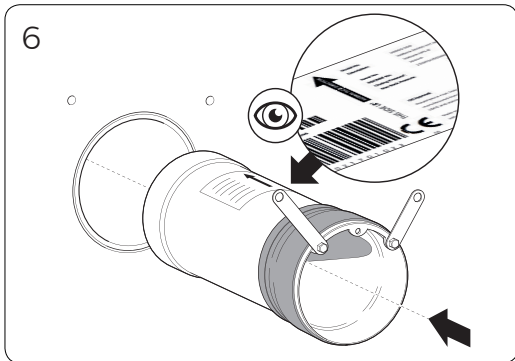
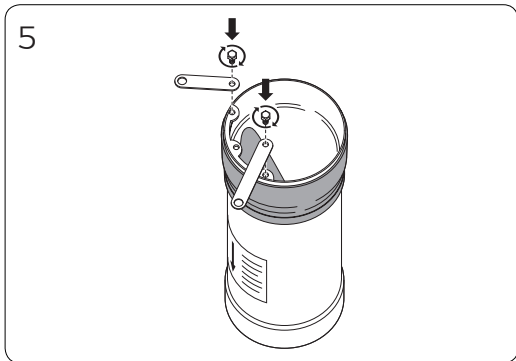
The mounting tabs are bolted to the concrete structure surrounding the host pipe, such as a wing wall or concrete chamber using the appropriate size fasteners.

In case of cracks or out of round pipes, there might be a need for additional sealant according to section 'Sealants' (page 4).

In the case of a protruding host pipe with no headwall, the mounting tabs can be bent back onto the pipe. In some cases, custom-made tabs may be required to be able to bolt the mounting tabs into the concrete pipe instead of a wall. Contact your Wapro representative for more information.

INLET INSTALLATION STAINLESS STEEL (OUTLET FROM CHAMBER)





INSTALLATION WITH FLANGE - STAINLESS STEEL

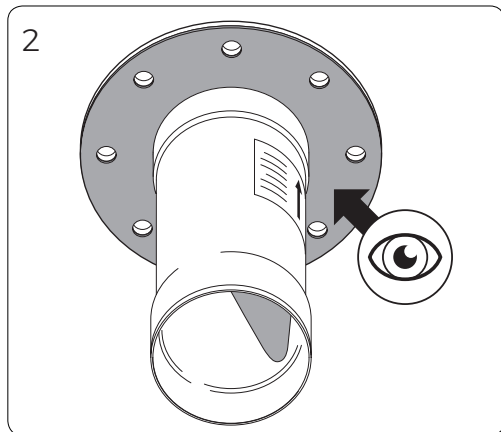
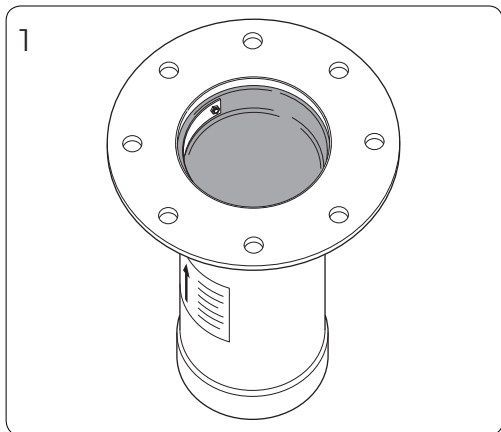
Larger WaStops are installed with a flange. Once the host pipe is cleaned internally and inspected for irregularities, the following steps should be followed:

- ORIENTATION**
The WaStop should always be installed with the 'spine' of the membrane upwards
- POSITION**
The first step in installing a WaStop is to position the valve. Flange bolt holes are sized to allow anchor bolts to pass through the flange to the mounting surface.
- ANCHORS**
If threaded rod is used for anchors, install stainless steel threaded rods cut to appropriate length using a two-part epoxy-glue to secure the rods in the concrete. Allow time to set, according to the manufacturer's recommendation. Expansion anchors should be installed according to the manufacturers' recommendation.
- In the case of an irregular mounting surface, a thrust nut can be used to provide an adjustable surface against which the flange will rest. Adjust the nut leaving about 10mm (½") space between the flange and the mounting surface. In case of a flat surface, apply sealant and push flange firmly against the mounting surface.
- Place jam nut on each anchor, then firmly tighten jam nuts to secure the valve permanently.
- In case of voids between the mounting surface and the flange; mix a non-shrinking grout and fill the space between the mounting surface and the flange to seal.

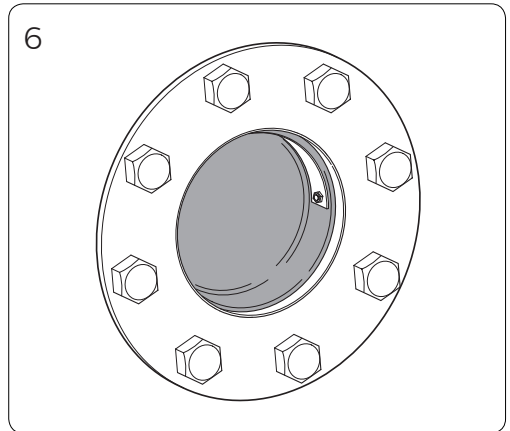
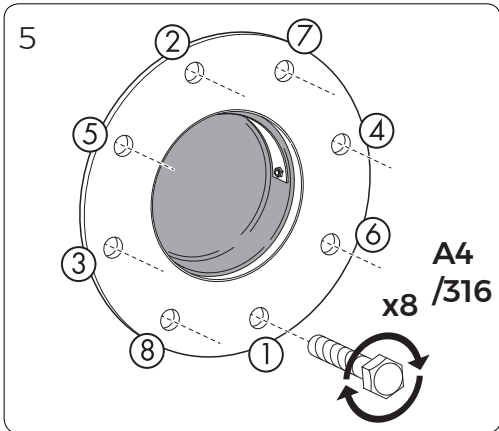
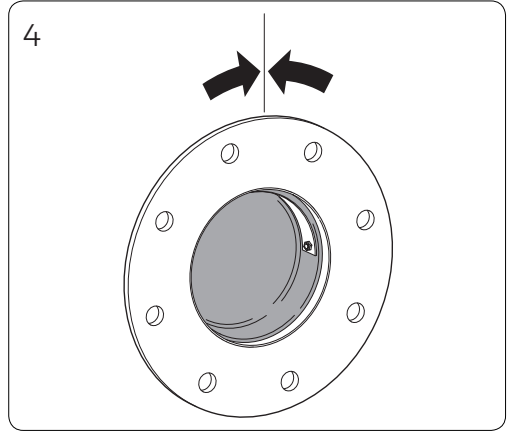
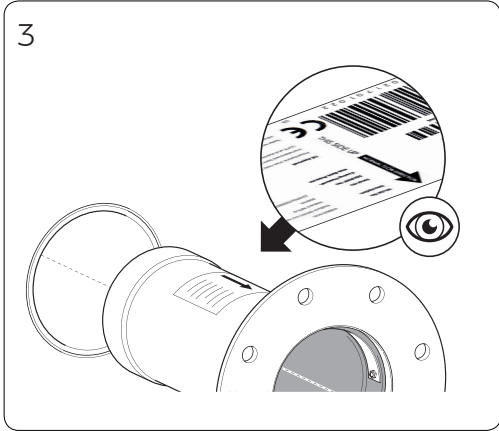
RECOMMENDED SEALANT DEPENDS ON THE APPLICATION, GUIDELINES:

- If the concrete wall is in good shape with no cracks, flush and otherwise not damaged it's usually enough with EPDM tape, silicone sealant or similar attached to the flange to seal between the flange and the concrete mounting surface.
- If the concrete has minor irregularities: hydrophilic systems; swellable profiles or sealants such as SikaSwell are recommended to fill minor cracks.
- If the concrete has cracks or irregularities, a non-shrinking grout is recommended to fill the voids between the flange and the concrete wall.

FLANGE INSTALLATION STAINLESS STEEL



FLANGE INSTALLATION STAINLESS STEEL



INSTALLATION INSIDE PIPE

ORIENTATION

The WaStop should always be installed with the 'spine' of the membrane upwards. Depending on the dimension the WaStop can be pushed in place by hand or using lifting equipment and slings.

FASTENER

Wapro recommends the use of concrete anchor bolts or threaded rods secured with chemical anchors. Bolt into the non-shrink grout, or concrete surrounding the WaStop valve body.

SEALANT

A WaStop secured by expansion bolts through the pre-drilled holes in the bell of the WaStop or custom made mounting tabs should be sealed by applying non-shrink grout between the inner diameter of the host pipe and the outer diameter of the WaStop valve body.

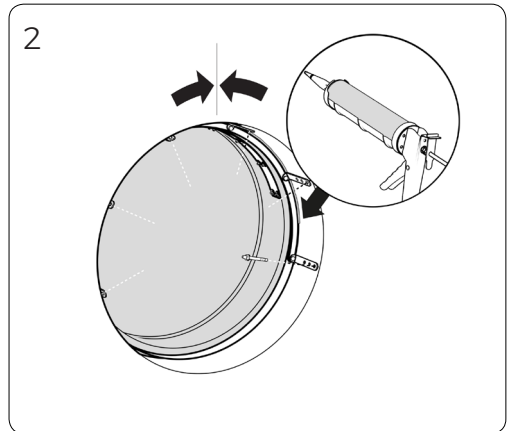
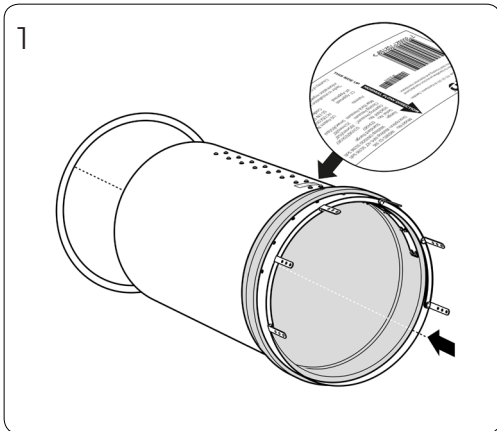
INSTALLATION

This section outlines the installation method when WaStop is sealed between the WaStop and the host pipe with non-shrinking grout and secured with concrete anchors. Grout and anchors are to be sourced locally. Manufacturers recommendations of these products should be followed.

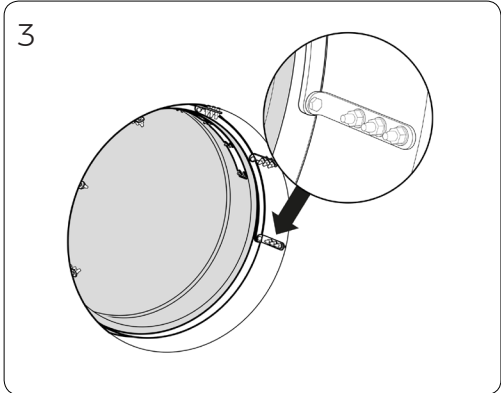
Installation method:

1. Clean the inside of host pipe and inspect for irregularities.
2. Position the WaStop taking note of flow direction as well as 'this side up' as shown on the label of the WaStop.
3. Create a 20mm (1") space between the WaStop and the host pipe. Mix the non-shrink grout to a semi-solid to plastic consistency to ease application. Apply non-shrink grout underneath the WaStop then remove the spacers and fill the rest of the area around the WaStop. Allow the grout to set. It is recommended to form at least a 250mm (10") wide lining around the WaStop with grout.
4. Once the grout has set, secure the WaStop utilizing concrete anchor bolts.

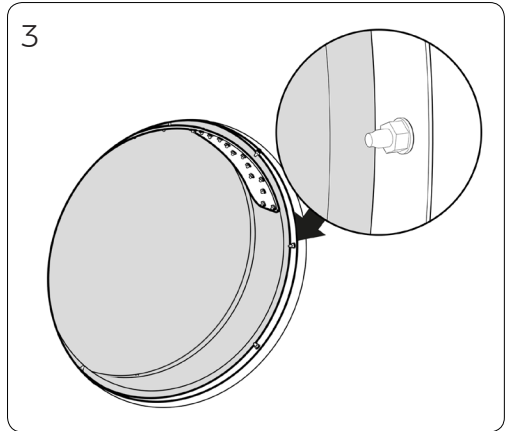
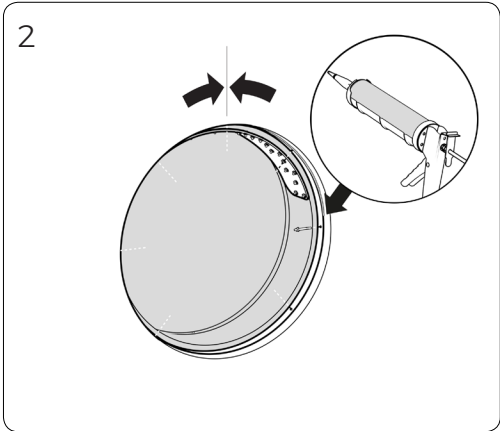
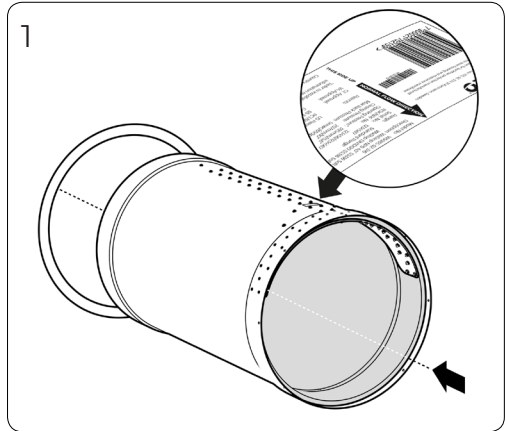
INSTALLATION INSIDE PIPE - MOUNTING TABS



INSTALLATION INSIDE PIPE - MOUNTING TABS

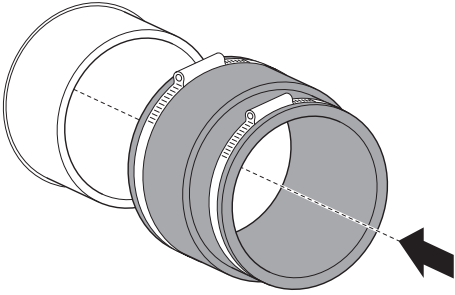


INSTALLATION INSIDE PIPE - BOLT THROUGH BELL

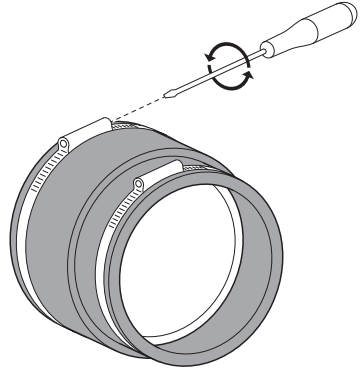


FLEXIBLE COUPLING INSTALLATION

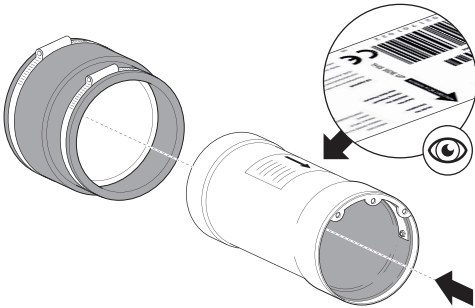
1



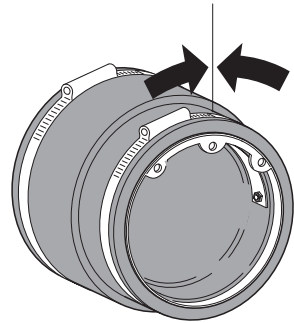
2



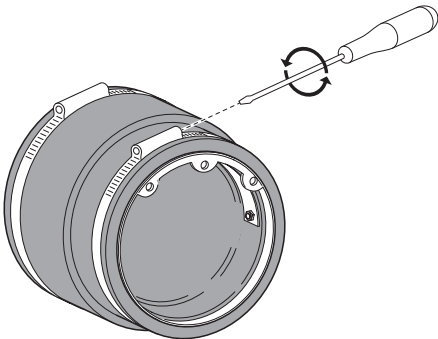
3



4

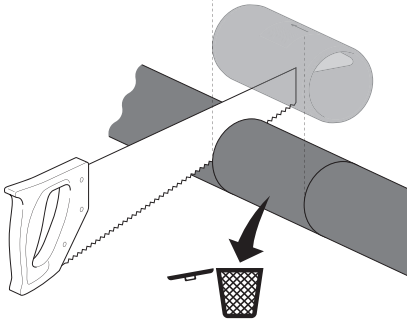


5

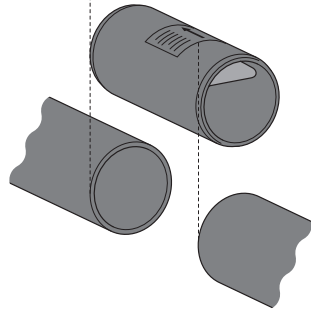


PVC INLINE INSTALLATION

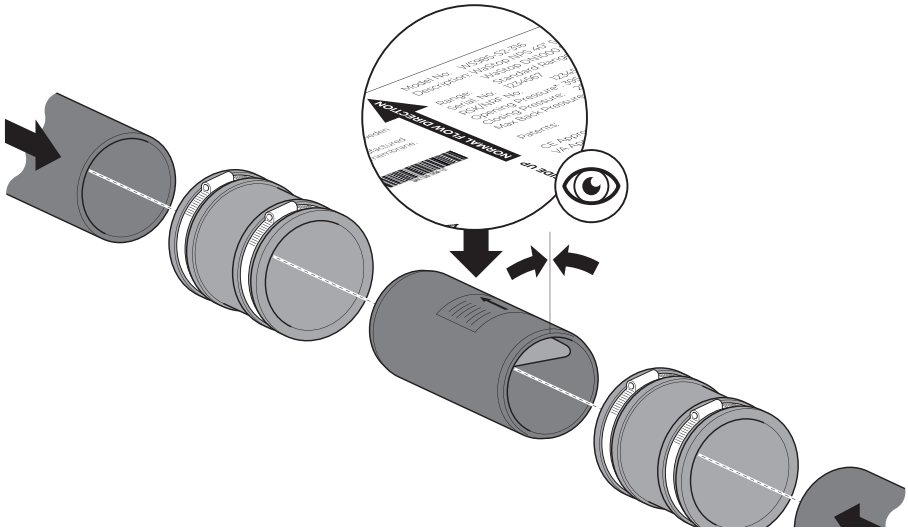
1



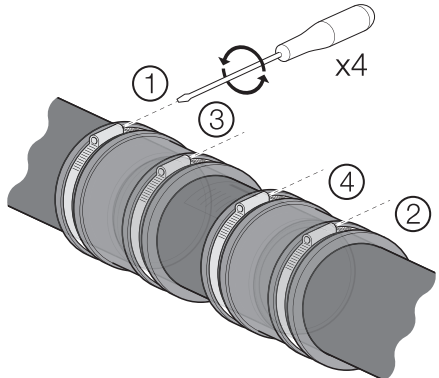
2



3



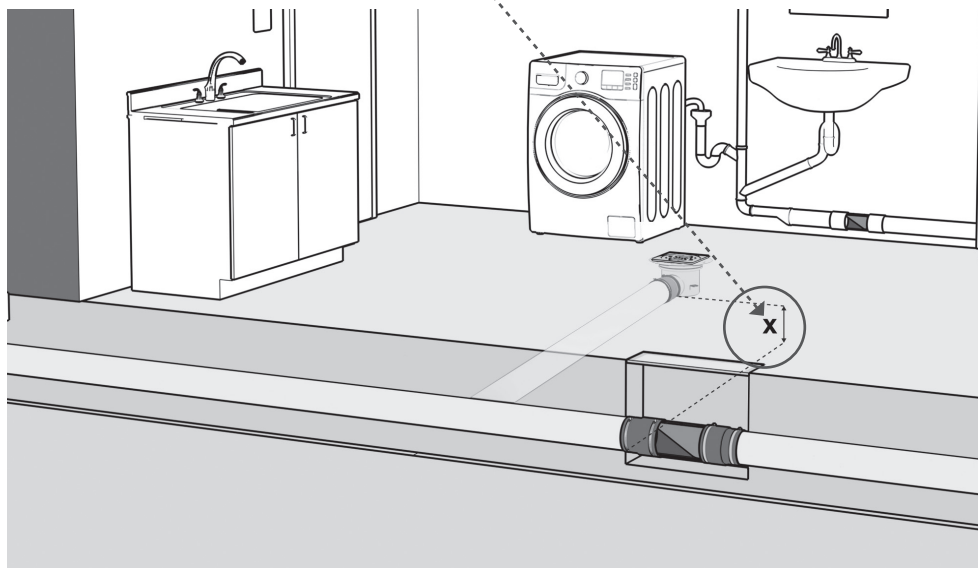
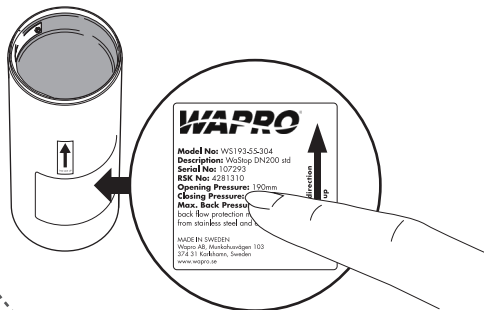
4



IMPORTANT: OPENING PRESSURE

DISTANCE BETWEEN THE LOWEST DRAINAGE POINT IN HOME TO BOTTOM OF WASTOP:

AT MINIMUM: \otimes = OPENING PRESSURE X 1,25



CONGRATULATIONS ON YOUR PURCHASE OF THE UNIQUE PATENTED WASTOP® INLINE CHECK VALVE

Wapros unique construction prevents backflow in pipe networks. It can be installed in minutes either in existing pipes or manholes, and gives a reliable protection against high water levels, flotsam, gases, salt water, insects and small animals.

SAFETY FIRST

When installing a WaStop check valve please ensure that all safety precautions are taken. Wapro AB accepts no responsibility for incorrect installation or the improper use of this product. Incorrect installation can cause injury, reduce the valve lifetime or damage other mating pipe products. Please read the following information before installing the WaStop check valve. If you have any questions regarding installation please call your local WaStop reseller.

STORAGE

- The WaStop check valve should be stored in a cool dry location with good ventilation.
- The valves should not have anything inserted into either end touching the membrane during storage.
- Don't drop, put undue pressure upon, or twist the pipe or membrane as damage may occur.
- The smaller dimension valve should be stored in the box they were delivered in. Larger valves should be stored in a safe location where tampering cannot occur.
- Avoid unnecessary exposure to light and chemicals.
- Store all WaStop's in a vertical position with the end of the cone up. If this is not possible ensure the housing of the valve is supported to ensure ovality does not occur.

TERMINOLOGY

Flow direction:	Normal direction of flow
Existing pipe:	An existing pipe into which WaStop will be inserted.
Joint coupling:	A flexible coupling joining the existing pipe and the WaStop.
Expansion bolt:	A bolt having an attachment that expands as the bolt is driven into a surface.
Rubber seal:	A seal that ensures no leakage between the inside of the existing pipe and the WaStop.
Back pressure:	The fluid pressure exerted against the valve. Usually measured in feet or meters of fluid above the invert of the pipe.
Membrane:	The elastomer conical membrane inside the WaStop pipe.
WaStop pipe:	The outer casing (housing) of the WaStop membrane.

RECOMMENDATION

Wapro recommends strongly that the WaStop valve is accessible, that it is possible to un-install and remove the product without major structural damage or digging in the area surrounding the valve.

RECYCLING

WaStop primarily consists of environmentally friendly components. When disposing of the valve, disassemble and properly sort the parts for recycling. See table below for how the components are to be recycled.

	Stainless Steel**	PE*	PVC*	Silicone*	EDPM*	Polyurethane*
WaStop	Valve Body and fasteners	Valve Body	Valve body	Membrane	Membrane	Membrane

* incinerate

** Metal recycling

WAPRO AB LIMITED WARRANTY

Wapro will remedy defects in material and/or workmanship in any new Wapro valve for a period of two (2) years from the documented date of purchase so long as the valve has been used in accordance with Wapro's instructions and recommendations and under normal operating conditions. The warranty does not cover damage to the valve caused by external mechanical forces, such as interference from humans, animals or machines, nor is the warranty valid if the valve has been modified or altered in any way post-production. Furthermore, the warranty is not valid (a) if the valve is damaged due to exposure to high concentrations of chemical substances, (b) if the valve is damaged due to pressure surges and/or vacuum within the valve, (c) the warranty is invalid if flow velocity exceeds 2m/s for WaStop <DN300, 3m/s for WaStop <DN500, 4m/s for WaStop <DN1050 and 5m/s for WaStop <DN1800, and (d) if malfunctions are caused by other equipment. A flange is required for flow velocity over 2m/s in all sizes. To request warranty service, the buyer should contact the WaStop dealer where the valve was purchased within a reasonable time after discovering any defects. The valve serial number must be quoted in the case of a warranty claim. Wapro's liability is limited to the replacement or repair of the defective valve. Wapro will not assume costs incurred for removal of defective valves or subsequent installation of replacement valves. Furthermore, Wapro will not assume transportation costs of damaged valves or replacement valves. Wapro warrants that repaired or replaced valves are covered for the greater of either the remainder of the original valve warranty or 90 days. THE WARRANTY EXPRESSED ABOVE SHALL BE IN LIEU OF ANY OTHER WARRANTIES, EXPRESSED OR IMPLIED, INCLUDING, WITHOUT LIMITATION, ANY IMPLIED WARRANTIES OR CONDITIONS OF MERCHANTABILITY, FITNESS FOR A PARTICULAR PURPOSE AND NONINFRINGEMENT WHICH ARE EXPRESSLY DISCLAIMED, AND IS IN LIEU OF ANY AND ALL OTHER OBLIGATIONS OR LIABILITY ON WAPRO'S PART. TO THE MAXIMUM EXTENT PERMITTED BY APPLICABLE LAW, UNDER NO CIRCUMSTANCES WILL WAPRO BE LIABLE TO BUYER FOR ANY INDIRECT, INCIDENTAL, SPECIAL OR CONSEQUENTIAL DAMAGES (INCLUDING ANY DAMAGE FOR LOSS OF REVENUE OR PROFIT), OR OTHERWISE ARISING OUT OF OR IN CONNECTION WITH FURNISHING OF THE VALVES, PARTS OR SERVICE HEREUNDER, OR THE PERFORMANCE, USE OF, OR INABILITY TO USE ANY OF THE VALVES, PARTS OR SERVICE, OR OTHERWISE, WHETHER BASED IN CONTRACT, WARRANTY, TORT, INCLUDING WITHOUT LIMITATION, NEGLIGENCE OR ANY OTHER LEGAL OR EQUITABLE THEORY. TO THE MAXIMUM EXTENT PERMITTED BY APPLICABLE LAW, THE REMEDIES SET FORTH IN THIS LIMITED WARRANTY SHALL APPLY EVEN IF SUCH REMEDIES FAIL THEIR ESSENTIAL PURPOSE. FOR THE AVOIDANCE OF DOUBT, NO EMPLOYEE, AGENT OR OTHER REPRESENTATIVE OF WAPRO IS AUTHORIZED TO EXTEND OR OTHERWISE MODIFY THE WARRANTY SPECIFIED HEREIN.

GRATTIS TILL DITT KÖP AV DEN UNIKA PATENTERADE WASTOP® BACKVENTILEN.

WaStops unika konstruktion förhindrar återflöde i rörsystem. Den kan installeras på några minuter antingen i befintliga rör eller brunnar, och ger ett pålitligt skydd mot höga vattennivåer, odör, saltvatten, insekter och smädjur.

SÄKERHETEN FÖRST

När du installerar en WaStop backventil, se till att alla säkerhetsåtgärder vidtas. Wapro AB tar inget ansvar för felaktig installation eller felaktig användning av denna produkt. Felaktig installation kan orsaka skada, minska ventilens livslängd eller skada andra anslutande rörprodukter. Läs följande information innan du installerar backventilen WaStop. Om du har några frågor kring installationen kontakta din lokala WaStop återförsäljare.

FÖRVARING

- Backventilen WaStop bör förvaras på en sval torr plats med god ventilation.
- Tappa inte eller på annat sätt utsätt ventilen för onödig påfrestning.
- De mindre dimensionerna ska förvaras i lådan de levererades i. Större ventiler bör förvaras på en säker plats där manipulation inte kan förekomma.
- Undvik onödig exponering för ljus och kemikalier.
- Förvara alla WaStops i vertikalt läge med toppen av membranet uppåt. Om detta inte är möjligt se till att ventilen stöds för att säkerställa att ovalitet inte uppstår.

TERMINOLOGI

- Flödesriktning: Normal flödesriktning
 Befintligt rör: Ett befintligt rör i vilket WaStop kommer att installeras.
 Koppling: En flexibel koppling förbinder det gamla röret och WaStop.
 Expansionsbult: En bult som expanderar när bulten åtdrages.
 Stos: En gummitätning som garanterar täthet mellan insidan av det gamla röret och WaStop.
 Baktryck: Tryck som påverkar ventilen. Vanligtvis angivet i meter eller fot vattenpelare.
 Membran: Koniska elastomer membranet inuti WaStop röret.
 WaStop rör: Ytterhöljet (Ventilhus) som WaStop membranet är monterat i.

REKOMMENDATION

Rekommendationen är att produkten är åtkomstbar och att det finns möjlighet att demontera samt avlägsna produkten utan åverkan på omgivande struktur eller att grävarebetet erfordras.

ÅTERVINNING

WaStop består huvudsakligen av miljövänliga material. Vid bortskaffande, kassera ventilen och separera delarna för återvinning. Se tabell för hur de ingående detaljerna återvinns.

	Rostfritt**	PE*	PVC*	Silikon*	EDPM*	Polyuretan*
WaStop	Ventilhus och infästningar	Ventilhus	Ventilhus	Membran	Membran	Membran

* Brännbart

** Metallåtervinning

WAPRO AB GARANTI

Wapro AB kommer att avhjälpa fel i material och/eller utförande på en ny WaStop ventil för en period av två (2) år från det dokumenterade inköpsdatumet så länge som ventilen har använts i enlighet med Wapros anvisningar och rekommendationer och under normala driftförhållanden. Garantin täcker inte skador på ventilen som orsakas av yttre mekaniska krafter, såsom påverkan från människor, djur eller maskiner. Garantin gäller inte om ventilen har modifierats eller ändrats på något sätt efter produktion. Vidare är garantin inte giltig (a) om ventilen är skadad på grund av exponering för höga koncentrationer av kemiska ämnen, (b) om ventilen är skadad på grund av tryckstöt och/eller vakuum i ventilen, (c) garanti är ogiltig om strömningshastigheten överstiger 2m/s för WaStop <DN300, 3m/s för WaStop <DN500, 4m/s för WaStop <DN1050 och 5m/s för WaStop <DN1800, och (d) om fel orsakas av annan utrustning. Fläns krävs för hastigheter över 2m/s. För att begära garantiservice, ska köparen kontakta WaStop återförsäljare där ventilen köptes inom en rimlig tid efter att ha upptäckt fel. Serienumret på ventilen skall anges vid ett garantianspråk. Wapro's ansvar är begränsat till utbyte eller reparation av defekt ventil. Wapro kommer inte anta kostnader för borttagning av defekta ventiler eller senare installation av ersättningsventiler. Dessutom kommer Wapro inte anta transportkostnader för skadade ventiler eller ersättningsventiler. Wapro garanterar att reparerade eller utbytta ventiler täcks av det högsta av antingen återstoden garantitiden av den ursprungliga ventilen eller 90 dagar.

Denna garanti ersätter och gäller före andra, avtalade eller allmänna, garantier/bestämmelser om ej tvingande lagregler förskriver annat och Wapro AB skall ej, under några omständigheter, bli ansvarig för följdskador eller indirekta skador. Varken Wapro anställda, agenter eller andra mellanhänder till Wapro kan binda Wapro till andra garantiåtaganden än ovan specificerade.

TILLYKKE MED DIT KØB AF DEN UNIKKE PATENTEREDE WASTOP® KONTRAVENTIL.

WaStops unikke konstruktion forhindrer tilbagestrømning i rørnetværk. Den kan installeres på få minutter enten i eksisterende rør eller mandehuller og giver en pålidelig beskyttelse mod høj vandstand, affald, gasser, saltvand, insekter og smådyr.

SIKKERHED FREM FOR ALT

Sørg ved installation af en WaStop kontraventil for, at alle sikkerhedsforholdsregler iværksættes. Wapro AB påtager sig intet ansvar for ukorrekt installation eller ukorrekt brug af dette produkt. Ukorrekt installation kan forårsage personskade, nedsætte ventilens levetid eller beskadige andre tilknyttede rørprodukter. Læs følgende oplysninger inden installation af WaStop® kontraventil. Hvis du har spørgsmål til installation, så ring til den lokale forhandler af WaStop.

OPBEVARING

- WaStop kontraventil skal opbevares på et køligt og tørt sted med god ventilation.
- Under opbevaring bør der ikke indsættes noget i nogen af enderne, der berører membranen.
- Sørg for ikke at tæbe, lægge for meget tryk på eller bøje røret eller membranen, da det kan medføre skader.
- Ventiler med mindre dimensioner bør opbevares i den kasse, de blev leveret i. Større ventiler skal opbevares på et sikkert sted, hvor der ikke er nogen, der kan pille ved dem.
- Undgå unødigt udsættelse for lys og kemikalier.
- Opbevar alle WaStops i lodret stilling med spidsen af keglen vendt opad. Hvis dette ikke er muligt, så sørg for, at ventilhuset er understøttet for at sikre, at der ikke opstår ovalitet.

TERMINOLOGI

Strømningsretning:	Normal retning for strømning
Eksisterende rør:	Et eksisterende rør, hvori WaStop skal indsættes.
Samlekobling:	En fleksibel kobling, der samler det eksisterende rør og WaStop.
Ekspansionsbolt:	En bolt med en vedhæftning, der udvider sig, efterhånden som bolten skrues i en overflade.
Gummipakning:	En pakning, der sikrer, at der ikke er lækage mellem undersiden på det eksisterende rør og WaStop.
Modtryk:	Væsketrykket udøvet mod ventilen. Normalt målt i fod eller meter væske over røret vendt på hovedet.
Membran:	Den kegleformede membran inden i WaStop røret.
Ventilhus:	Det udvendige hus på WaStop membranen.

ANBEFALING

WaPro anbefaler kraftigt, at WaStop ventilen er tilgængelig, at det er muligt at afinstallere og fjerne produktet uden større beskadigelse eller graving i området omkring ventilen.

GENANVENDELSE

WaStop består primært af miljøvenlige komponenter. Ved bortskaffelse af ventilen, demontere og sortere delene korrekt til genbrug. Se nedenstående tabel for, hvordan komponenterne skal genanvendes.

	Rustfrit stål**	PE*	PVC*	Silikone*	EDPM*	Polyurethan*
WaStop	Ventilhus og befæstelseselementer	Ventilhus	Ventilhus	Membran	Membran	Membran

* Brændbart

** Metal til genbrug

WAPRO AB BEGRÆNSET GARANTI

Wapro vil afhjælpe defekter i materialer og/eller udførelse i enhver ny Wapro-ventil i en periode på to (2) år fra den dokumenterede købsdato, så længe ventilen er blevet anvendt i overensstemmelse med Wapros anvisninger og anbefalinger og under normale driftsforhold. Garantien dækker ikke skader på ventilen forårsaget af ydre mekaniske kræfter, såsom indgriben fra mennesker, dyr eller maskiner, og garantien dækker heller ikke, hvis ventilen er blevet modificeret eller ændret på nogen måde efter produktion. Endvidere dækker garantien ikke, (a) hvis ventilen er beskadiget på grund af udsættelse for høje koncentrationer af kemiske stoffer, (b) hvis ventilen er beskadiget på grund af trykstigninger/eller undertryk inde i ventilen, (c) garantien er ugyldig, hvis strømningshastigheden overstiger 2 m/s for WaStop < DN500, 3 m/s for WaStop < DN500, 4 m/s for WaStop < DN1050 og 5 m/s for WaStop < DN1800, og (d) hvis fejl er forårsaget af andet udstyr. En flange er nødvendig ved en strømningshastighed over 2 m/s i alle størrelser. For at anmode om garantiservice skal køber kontakte WaStop-forhandleren, hvor ventilen blev købt og inden for et rimeligt tidsrum efter at have konstateret fejlen. Ventilens serienummer skal opgives i tilfælde af et garantikrav. Wapros hæftelse er begrænset til udskiftning eller reparation af den defekte ventil. Wapro påtager sig ingen omkostninger i forbindelse med fjernelse af defekte ventiler eller efterfølgende installation af udskiftede ventiler. Endvidere påtager Wapro sig ingen transportomkostninger for beskadigede ventiler eller udskiftningsventiler. Wapro garanterer, at reparerede eller udskiftede ventiler er dækket af det længste tidsrum af enten det resterende af den oprindelige ventilgaranti eller 90 dages garanti.

GARANTIE UDTRYKT OVENSTÅENDE SKAL TRÆDE I STEDET FOR ENHVER ANDEN GARANTI, DET VÆRE SIG UDTRYKT ELLER UNDERFORSTÅET INKL UDEN BEGRÆNSNING STILTENDE GARANTIER ELLER BETINGELSER FOR SALGBARHED, EGNETHED TIL ET BESTEMT FORMÅL OG MANGLENDE OVERTRÆDELSELS SOM UDTRYKKELT FRASKRIVES OG TRÆDER I STEDET FOR ENHVER OG ALLE ANDRE FORPLIGTELSE ELLER HÆFTELSE PÅ VEKNE AF WAPRO. I DET MAKSIMALE OMFANG GÆLDENDE LOV TILLADER DET SKAL WAPRO UNDER INGEN OMSTÆNDIGHEDER VÆRE ANSVARLIG OVER FOR KØBER FOR NOGEN INDIREKTE, HÆNDELIGE, SÆRLIGE SKADER ELLER FØLGESKADER (HERUNDER SKAL DER SOM FØLGE AF TAB AF OMSÆTNING ELLER FORTJENESTE) ELLER PÅ ANDEN VIS OPSTÅET SOM FØLGE AF ELLER I FORBINDELSE MED LEVERING AF VENTILER, DELE ELLER SERVICE I DEN FORBINDELSE ELLER FUNKTIONSDYGTIGHED ELLER UANVENDELIGHED AF VENTILER, DELE ELLER SERVICE ELLER PÅ ANDEN VIS OG UANSET OM DET ER BASERET PÅ KONTRAKT, GARANTI, SKADEVOLDENDE HANDLING INKL UDEN BEGRÆNSNING UAGTSOMHED ELLER NOGEN ANDEN FORM FOR JURIDISK ELLER RET OG RIMELIG TEORI. I DET MAKSIMALE OMFANG GÆLDENDE LOV TILLADER DET SKAL RETSMIDLERNE ANGIVET I DENNE BEGRÆNSENDE GARANTI GÆLDE, SELV OM DISSE RETSMIDLER IKKE OPFYLDER FOR DERES VÆSENTLIGE FORMÅL FOR AT UNGDÅ AL TVIVL ER INGEN MEDARBEJDER, AGENT ELLER ANDEN REPRÆSENTANT FOR WAPRO BEMYNDIGET TIL AT UDVIDE ELLER PÅ ANDEN MÅDE ÆNDRE DEN HERI ANGIVNE GARANTI.

GRATULERER MED KJØPET AV DEN INTEGRERTE TILBAKESLAGSVENTILEN WASTOP®, SOM ER TILDELT ET UNIKT PATENT.

Den unike konstruksjonen til WaStop® hindrer tilbakestrømming i rørdedninger. Det tar bare noen minutter å montere den i eksisterende rør og kummer, hvor den tilbyr god beskyttelse mot høy vannstand, drivgods, gasser, saltvann, insekter og små dyr.

SIKKERHETSFRØST

Alle forholdsregler må følges ved montering av en WaStop®-ventil. Wapro AB påtar seg intet ansvar for feil montering eller bruk av dette produktet. Feil montering kan forårsake skade, redusere ventilens levetid og skade andre tilkoblede rørprodukter. Les følgende informasjon før du monterer WaStop®-ventilen. Ved spørsmål angående monteringen bes du ta kontakt med din lokale WaStop-forhandler.

OPPBEVARING

- WaStop®-tilbakeslagsventilen bør oppbevares på et tørt og kjølig sted med god ventilasjon.
- Ikke sett inn gjenstander på noen side av ventilene. Det er viktig å unngå at membranen berøres under lagring.
- Ikke slipp røret eller membranen i bakken. Unngå belastning og vridning av rør og membran, ellers kan det oppstå skade.
- Den minste ventilen bør oppbevares i originalemballasjen. Større ventiler bør oppbevares på et trygt sted der ingen kan tukle med dem.
- Unngå unødvendig eksponering for lys og kjemikalier.
- Alle WaStop®-ventiler bør oppbevares stående med enden av kjeglen pekende opp. Hvis dette ikke er mulig, må du passe på at ventilhuset blir understøttet for å sikre at det ikke oppstår ovalitet.

TERMINOLOGI

Strømningsretning:	normal strømningsretning
Eksisterende rør:	røret som WaStop® skal monteres i.
Leddkobling:	en fleksibel kobling som fører sammen det eksisterende røret og WaStop®.
Ekspansjonsbolt:	en bolt med et feste som utvider seg når bolten drages inn i underlaget.
Gummipakning:	en pakning som sikrer at det ikke forekommer noen lekkasje mellom innsiden av det eksisterende røret og WaStop®.
Mottrykk:	væsketrykket som utøves mot ventilen. Dette trykket måles vanligvis i fot eller meter med væske over bunnen av røret.
Membran:	den koniske elastomermembranen i WaStop®-røret.
WaStop®-rør:	det utvendige huset til WaStop®-membranen.

ANBEFALING

Wapro anbefaler sterkt at WaStop-ventilen er lett tilgjengelig, slik at det er mulig å demontere og fjerne produktet uten stor bygningsmessig skade eller graving i området rundt ventilen.

RESIRKULERING

WaStop består hovedsakelig av miljøvennlige komponenter. Ved kassering av ventilen, må du ta den fra hverandre og sortere delene for resirkulering. Se hvordan komponentene skal resirkuleres, i tabellen nedenfor.

	Rustfritt stål**	PE*	PVC*	Silikon*	EDPM*	Polyuretan*
WaStop	Ventilhus og festemidler	Ventilhus	Ventilhus	Membran	Membran	Membran

* Brennbart

** Metallgjenvinning

WAPRO AB BEGRENSET GARANTI

Wapro vil utbedre mangler i materialer og utførelse i hver ny Wapro-ventil i en periode på to – 2 – år fra den dokumenterte kjøpsdatoen så lenge ventilen har vært brukt i samsvar med Wapros instruksjoner og anbefalinger og under normale driftsforhold. Garantien dekker ikke skader på ventilen når de er forårsaket av ytre mekaniske krefter, for eksempel forstyrrelser fra mennesker, dyr eller maskiner. Garantidekningen opphører også hvis ventilen modifiseres på noen måte etter produksjon. Videre gjelder garantien ikke (a) hvis ventilen er skadet på grunn av eksponering for høye konsentrasjoner av kjemiske stoffer, (b) hvis ventilen er skadet på grunn av trykkstøt eller undertrykk i ventilen, (c) garantien gjøres ugyldig hvis strømningshastigheten overskrider 2 m/s for WaStop <DN300, 3m/s for WaStop <DN500, 4m/s for WaStop <DNI050 og 5m/s for WaStop <DNI800, og (d) hvis feilen er forårsaket av annet utstyr. En flens er nødvendig for strømningshastigheter over 2 m/s i alle størrelser. For å be om garantiservice må kjøperen innen rimelig tid etter at en feil er oppdaget, kontakte WaStop-forhandleren som ventilen ble kjøpt hos. Ventilens serienummer må oppgis i forbindelse med et garantikrav. Wapros ansvar er begrenset til utskifting eller reparasjon av den defekte ventilen. Wapro vil ikke dekke kostnader som påløper for fjerning av defekte ventiler eller påfølgende montering av erstatningsventiler. Wapro vil heller ikke dekke transportkostnader for ødelagte ventiler eller erstatningsventiler. Wapro garanterer at reparerte eller erstattede ventiler dekkes av den gjenværende delen av garantitiden for den opprinnelige ventilen, men i minst 90 dager hvis den gjenværende delen av den opprinnelige garantitiden er kortere enn dette.

OVENSTÅENDE GARANTI GJELDER I STEDET FOR ALLE ANDRE UTTRYKTE ELLER UNDERFORSTÅTTE GARANTIER, MEDREGNET, OG UTEN BEGRENSNINGER, ENHVER GARANTI OM SALGBARHET ELLER BRUDD PÅ IMMATERIELLE RETTIGHETER SOM ER UTTRYKkelig FRASKREVET, OG GJELDER I STEDET FOR ALLE ANDRE FORPLIKTELSER ELLER ANSVAR FRA WAPROS SIDE. I DEN GRAD GJELDENDE LOV TILLATER DET, FRASKRIVER WAPRO SEG ALT ANSVAR OVERFOR KJØPER FOR EVENTUELLE FØLGESKADER ELLER INDIREKTE, TILFELDIGE, SPESIELLE SKADER ELLER FØLGESKADER (BLANT ANNET TAP AV INNTEKTER ELLER FORTJENESTE) ELLER SKADER SOM PÅ ANNEN MÅTE SKULLE OPPSTÅ SOM FØLGE AV ELLER I FORBINDELSE MED TILVEIEBRINGELSEN AV VENTILENE, DELENE ELLER TJENESTEN SOM INNGÅR, ELLER UTFØRELSEN, BRUKEN AV ELLER MÅNGLENDE MULIGHET TIL Å BRUKE NOEN AV VENTILENE, DELENE ELLER TJENESTEN, ELLER PÅ ANNEN MÅTE, UANSETT OM DETTE ER BASERT PÅ KONTRAKT, GARANTI ELLER FORVOLDT SKADE, INKLUDERT, UTEN BEGRENSNINGER, UAKTOMHET ELLER ANNEN JURIDISK ELLER RIMELIG TEORI. I DEN GRAD GJELDENDE LOV TILLATER DET, SKAL RETTSMIDLENE SOM ER NEVNT I DENNE GARANTIE, GJELDE SELV OM SLIKE RETTSMIDLER IKKE OPPFYLLER SITT EGENTLIGE FORMÅL. FOR Å UNNGÅ ENHVER TVIL UNDERSTREKES DET AT INGEN ANSATT, AGENT ELLER ANNEN REPRESENTANT FOR WAPRO HAR MYNDIGHET TIL Å UTVIDE ELLER PÅ ANNEN MÅTE ENDRE DEN ANGITTE GARANTIE.

ONNEKSI OLKOON AINUTLAATUISEN PATENTOIDUN WASTOP®-LINJASULKUVENTTIILIN HANKINNASTA.

WaStop®-venttiilin ainutlaatuinen rakenne estää takaisvirtausta putkistoissa. Se voidaan asentaa nopeasti nykyisiin putkiin tai viemäreihin. Se suojaa luotettavasti veden nousemiselta, rojulta, kaasuilta, suolavedeltä, hyönteisiltä ja pieneläimiltä.

TURVALLISUUS ENSIN

WaStop®-sulkuventtiiliä asennettaessa täytyy varmistaa kaikkien turvatoimien noudattaminen. Wapro AB ei ole vastuussa väärin asennetuista tai käytetyistä tuotteista. Virheellinen asennus voi aiheuttaa loukkaantumisen, lyhentää venttiilin käyttöikää tai vahingoittaa muita putkiliitäntöjä. Lue huolellisesti seuraavat tiedot ennen WaStop®-sulkuventtiilin asentamista. Jos sinulla on kysyttävää asentamisesta, ota yhteyttä paikalliseen WaStop®-jälleenmyyjään.

VARASTOINTI

- WaStop®-sulkuventtiili varastoidaan viileässä ja kuivassa hyvin ilmastoidussa paikassa.
- Varastoinnin aikana venttiileihin ei kummastakaan päästä saa työntää mitään, mikä koskettaa kalvaa.
- Putkea tai kalvaa ei saa pudottaa, altistaa paineelle tai vääntää, koska ne voivat vaurioitua.
- Lämpimältäaun pienempi venttiili varastoidaan kuljetuslaatikossaan. Suuremmat venttiilit varastoidaan turvallisessa paikassa, jossa niitä ei päästä peukaloimaan.
- Niitä ei saa altistaa turhaan valolle tai kemikaaleille.
- Kaikki WaStop®-venttiilit varastoidaan pystyasennossa kartioapä ylöspäin. Ellei se ole mahdollista, varmistetaan venttiilin kotelon tukeminen, ettei venttiilin muoto vääristy.

KÄYTETYT TERMIT

- Virtaussuunta: virtauksen normaali suunta
 Nykyinen putki: nykyinen putki, johon WaStop® asennetaan.
 Nivelliitos: nykyisen putken ja WaStop®-venttiilin joustava liitos.
 Levityspultti: pultti, jonka kiinnitys laajenee pintaan pultattaessa.
 Kumitiiviste: tiiviste, joka estää vedon nykyisen putken ja WaStop®-venttiilin välillä.
 Paluupaine: venttiilin kohdistuva nestepaine. Mitataan yleensä jalkoina tai metreinä nestettä putken pohjoasasta.
 Kalvo: kartiomainen elastomeerikalvo WaStop®-putken sisällä.
 WaStop®-putki: WaStop®-kalvon ulompi kotelo.

SUOSITUS

Wapro suosittelee vahvasti, että WaStop-venttiili on saatavilla niin, että tuote voidaan irrottaa ja poistaa ilman suuria rakenteellisia vaurioita tai kaivamatta venttiilin ympärillä olevaa aluetta.

KIERRÄTYS

Wapro koostuu ensisijaisesti ympäristöstävällisistä komponenteista. Kun venttiili hävitetään, pura ja lajittele osat oikein kierrätykseen. Katso alla olevasta taulukosta, kuinka komponentit kierrätetään.

	Ruostumaton teräs*	PE*	PVC*	Silikoni*	EDPM*	Polyuretaani*
WaStop	Venttiilin runko ja kiinnittimet	Venttiilin runko	Venttiilin runko	Kalvo	Kalvo	Kalvo

* Polta

** Metallinkierrätys

WAPRO AB:N RAJOITETTU TAKUU

Wapro korvaa kaikkien uusien Wapro-venttiilien materiaali- ja/tai rakenneviat kahden (2) vuoden ajan todistetusta ostopäivästä, edellyttäen että venttiiliä on käytetty Wapron ohjeiden ja suositusten mukaan tavallisissa käyttöoloissa. Takuu ei kata vahinkoja, joita venttiilille on aiheutunut ulkoisten mekaanisten voimien, esimerkiksi ihmisten, eläinten tai koneiden aiheuttamien häiriöiden, vuoksi. Takuu ei ole voimassa, jos venttiiliä on mitenkään valmistuksen jälkeen muokattu tai muutettu. Takuu ei myöskään kata seuraavia tapauksia: (a) venttiili vaurioituu korkeille kemikaalipitoisuuksille altistumisesta, (b) venttiili vaurioituu sisäisten painesyökyjen ja/tai tyhjiön vuoksi, (c) takuu raukeaa, jos virtausnopeus on yli 2 m/s tuotteella WaStop < DN300, 3 m/s tuotteella WaStop < DN500, 4 m/s tuotteella WaStop < DN1050 ja 5 m/s tuotteella WaStop < DN1800 ja (d) jos muut laitteet aiheuttavat toimintahäiriöitä. Laippa vaaditaan jokaisessa koossa, jos virtausnopeus on yli 2 m/s. Takuupalvelua pyydetessä ostaja ottaa kohtuullisessa ajassa vian toteamisen jälkeen yhteyttä WaStopin jälleenmyyjään, jolta venttiili on ostettu. Takuuvaatimuksessa on mainittava venttiilin sarjanumero. Wapron korvausvastuu rajoittuu viallisen venttiilin vaihtamiseen tai korjaamiseen. Wapro ei vastaa viallisen venttiilin poistamisen tai niiden tilalle asennettujen vaihtoventtiilien asentamisen kustannuksista. Wapro ei myöskään vastaa vahingoittuneiden tai vaihtoventtiilien kuljetuskustannuksista. Wapro antaa korjatulle tai vaihdetuille venttiileille alkuperäisen venttiilin takuun loppuajan tai 90 päivän takuun sen mukaan, kumpi päättyy myöhemmin.

YLLÄ ESITETYT RAJOITETTU TAKUU KORVAA KAIKKI MUUT SUORAT JA EPÄSUORAT TAKUUT, MUUN MUASSA KAIKKI EPÄSUORAT TAKUUT TAI EHDOT KAUPPAKELPOISUUDESTA, TIETTYJEN TARKOITUKSEEN SOPIMISESTA TAI MUIDEN OIKEUKSIEN LOUKKAAMATTOMUUDESTA, JOTKA SULJETAAN NIMENOMAISET POIS. TAKUU KORVAA WAPRON KAIKKI MUUT VELVOITTEET JA KORVAUSVASTUUT. WAPRO SULKEE SUURIMASSA LAIN SALLIMASSA MITASSA POIS KAIKEN KORVAUSVASTUUN OSTAJAA KOHTAAN KAIKISTA EPÄSUORISTA, SATUNNAISISTA, ERITYISISTÄ TAI VÄLILLISISTÄ VAHINGOISTA (MYÖS KAIKKI TUOTTOJEN TAI VOITTOJEN MENETYKSET), SEKÄ VAHINGOISTA, JOTKA JOHTUVAT SEURAAVISTA TAI LIITTYVÄT NIIHIN: VENTTIILIN VARUSTEET, OSAT TAI KUNNOSSAPITO, VENTTIILIN, NIIDEN OSIEN TAI KUNNOSSAPIDON SUORITUSKYKY, KÄYTTÖ TAI KÄYTTÄMÄTTÄ JÄÄMINEN, SEKÄ MUUT VAHINGOT SOPIMUKSEN, TAKUUN TAI RIKKOMUKSEN PERUSTEELLA, MUUN MUASSA LAIMINLYÖNTI TAI MUU LAILLINEN TAI OIKEUDENMUKAINEN PERUSTE. TÄSSÄ RAJOITETUSSA TAKUUSSA ESITETYJÄ OIKEUSKEINOJA SOVELLETAAN SUURIMASSA LAIN SALLIMASSA MITASSA SILLOINKIN, KUN NIITÄ EI VOI SOVELTAA ALKUPERÄISESSÄ TARKOITUKSESSAAN. SELVYYDEN VUOKSI KUKAAN WAPRON TYÖTEKIJÄ, AGENTTI TAI NÄIDEN EDUSTAJA EI OLE VALTUUTETTU PIDENTÄMÄÄN TAI MUUTEN MUUTTAMAAN TÄSSÄ ESITETTYÄ TAKUUTA.

HERZLICHEN GLÜCKWUNSCH ZUM KAUF DES EINZIGARTIGEN, PATENTIERTEN WASTOP®-RÜCKSCHLAGVENTILS ZUM LEITUNGSEINBAU.

Die einzigartige Konstruktion von WaStop verhindert einen Rücklauf in Rohrleitungsnetze. Die Installation kann innerhalb von Minuten entweder in vorhandene Rohre oder Schächte erfolgen und bietet einen zuverlässigen Schutz gegen Hochwasserpegel, Treibgut, Gase, Salzwasser, Insekten und Kleintiere.

SICHERHEIT GEHT VOR

Bei der Installation des WaStop-Rückschlagventils achten Sie bitte auf die Einhaltung aller Sicherheitsvorkehrungen. Wapro AB übernimmt keine Haftung für eine fehlerhafte Installation oder die unsachgemäße Verwendung dieses Produkts. Eine fehlerhafte Installation kann zu Verletzungen führen, die Haltbarkeit des Ventils verringern oder andere Rohranschlussprodukte beschädigen. Lesen Sie bitte die folgenden Informationen, bevor Sie das WaStop®-Rückschlagventil installieren. Wenn Sie Fragen zur Installation haben, wenden Sie sich bitte an Ihren örtlichen WaStop-Händler.

LAGERUNG

- Das WaStop®-Rückschlagventil sollte kühl, trocken und gut belüftet gelagert werden.
- Während der Lagerung sollten keine Gegenstände in die Enden eingeführt bleiben, die die Membran berühren.
- Das Rohr bzw. die Membran nicht fallen lassen, keinem zu hohen Druck aussetzen oder biegen, da hierdurch Schäden entstehen könnten.
- Das kleinere Ventil sollte im Karton aufbewahrt werden, in dem es geliefert wurde. Größere Ventile sollten an einem sicheren Ort aufbewahrt werden, an dem keine unerlaubte Änderungen möglich sind.
- Unnötige Sonneneinstrahlung und Kontakt mit Chemikalien sind zu vermeiden.
- Alle WaStop-Ventile aufrecht mit dem konischen Ende nach oben lagern. Ist dies nicht möglich, muss sichergestellt werden, dass das Ventilgehäuse abgestützt ist, um zu gewährleisten, dass keine Ovalität eintritt.

TERMINOLOGIE

- Flussrichtung: Normale Richtung des Flusses
 Bestehendes Rohr: Ein vorhandenes Rohr, in das WaStop eingefügt wird.
 Gelenkkupplung: Eine flexible Kupplung, mit der das bestehende Rohr und WaStop® verbunden werden.
 Dehnschraube: Eine Schraube mit einem Ansatz (Schaft), der sich dehnt, wenn die Schraube in eine Oberfläche eingebracht wird.
 Gummidichtung: Eine Dichtung, die sicherstellt, dass kein Auslaufen zwischen dem Inneren des bestehenden Rohrs und dem WaStop® auftreten kann.
 Gegendruck: Der Druck der Flüssigkeit, der gegen das Ventil wirkt. In der Regel Fuß/Meter Flüssigkeit über der Rohrsohle.
 Membran: Die konische Elastomer-Membran im WaStop-Rohr.
 WaStop®-Rohr: Die äußere Hülle (das Gehäuse) der WaStop-Membran.

EMPFEHLUNG

Wapro empfiehlt unbedingt, dass das WaStop Ventil zugänglich ist, dass es möglich ist, das Produkt ohne große Bauschäden oder Graben in der Umgebung des Ventils auszubauen und zu entfernen.

RECYCLING

WaStop besteht hauptsächlich aus umweltfreundlichen Bauteilen. Bei der Außerbetriebnahme des Ventils, die Teile sorgfältig auseinandernbauen und für das Recycling sortieren. Entnehmen Sie bitte der nachfolgenden Tabelle, wie die Einzelteile recycelt werden.

	Edelstahl**	PE*	PVC*	Silikon*	EDPM*	Polyurethan*
WaStop	Ventilkörper und Halterungen	Ventilkörper	Ventilkörper	Membran	Membran	Membran

* Entflammbar

** Metallrecycling

WAPRO AB - BESCHRÄNKTE GEWÄHRLEISTUNG

Wapro behebt innerhalb von zwei (2) Jahren ab dem belegten Kaufdatum alle Material- und Bearbeitungsfehler an jedem neuen Wapro-Ventil, soweit das Ventil entsprechend den Anweisungen und Empfehlungen von Wapro und unter normalen Betriebsbedingungen verwendet wurde. Die Gewährleistung deckt keine Schäden am Ventil ab, die durch äußere mechanische Kräfteinwirkung wie durch Beeinträchtigungen durch Menschen, Tiere oder Maschinen verursacht werden, und die Gewährleistung erlischt, wenn das Ventil nach seiner Herstellung auf irgendeine Weise modifiziert oder verändert wurde. Außerdem erlischt die Gewährleistung, (a) wenn das Ventil beschädigt wird, weil es hohen Konzentrationen von Chemikalien ausgesetzt wurde, (b) wenn das Ventil durch Druckspitzen und/oder Vakuum im Ventil beschädigt wird, (c) Die Garantie erlischt, wenn die Durchflussgeschwindigkeit für WaStop <DN300, 2m/s für WaStop <DN500, 4m/s für WaStop <DN1050 und 5m/s für WaStop <DN1800 überschreitet und (d) wenn durch andere Geräte Störungen verursacht werden. Für Durchflussgeschwindigkeiten über 2 m/s wird bei allen Größen ein Flansch benötigt. Um eine Gewährleistungsleistung in Anspruch zu nehmen, sollte sich der Käufer, innerhalb einer angemessenen Frist nicht Feststellung eines Mangels, an den WaStop-Händler wenden, bei dem das Ventil gekauft wurde. Die Seriennummer des Ventils ist bei einem Gewährleistungsanspruch anzugeben. Die Haftung von Wapro beschränkt sich auf den Ersatz oder die Reparatur des mangelhaften Ventils. Wapro übernimmt keine Kosten, die für den Ausbau mangelhafter Ventile oder den anschließenden Einbau von Austauschventilen entstehen. Außerdem übernimmt Wapro keine Kosten für den Transport von beschädigten Ventilen oder Austauschventilen. Wapro sichert zu, dass reparierte oder ausgetauschte Ventile für die Restlaufzeit der ursprünglichen Gewährleistung des Ventils bzw. 90 Tage abgedeckt sind, je nachdem, welche Frist länger ist.

DIE OBIGE GEWÄHRLEISTUNG GILT AN STELLE ALLER SONSTIGEN GEWÄHRLEISTUNGEN AUSDRÜCKLICHER ODER STILLSCHWEIGENDER ART, EINSCHLIESSLICH U. A. STILLSCHWEIGENDER ZUSICHERUNGEN ODER BEDINGUNGEN DER MARKTGÄNGIGKEIT, EIGNUNG FÜR EINEN BESTIMMTEN ZWECK UND EINER NICHTVERLETZUNG DER RECHTE DRIITTER, DIE AUSDRÜCKLICH AUSGESCHLOSSEN WERDEN, UND GILT ANSTELLE ALLER SONSTIGEN VERPFLICHTUNGEN ODER HAFTUNGEN SEITENS WAPRO. WAPRO HAFTET IM HÖCHSTMÖGLICHEN, GESETZLICH ZULÄSSIGEN RAHMEN UNTER KEINEN UMSTÄNDEN DEM KÄUFER GEGENÜBER FÜR MITTELBAR ODER BEILÄUFIG ENTSTANDENE, BESONDERE ODER FOLGESCHÄDEN (EINSCHLIESSLICH AUF SCHADENERSATZ FÜR ENTGANGENE UMSÄTZE ODER ENTGANGENEN GEWINN), ODER SCHÄDEN, DIE IN SONSTIGER WEISE DURCH DIE ODER IN VERBINDUNG MIT LIEFERUNGEN DER VENTILE ODER TEILE ODER DIE ERBRINGUNG VON SERVICELEISTUNGEN HIERAUS, ODER DIE LEISTUNG, VERWENDUNG ODER UNMÖGLICHKEIT DER VERWENDUNG DER VENTILE, TEILE ODER SERVICELEISTUNGEN ODER AUF SONSTIGE WEISE ENTSTEHEN, UNBEACHTLICH OB SICH DIES ANSPRÜCHE AUS VERTRAG, EINER GEWÄHRLEISTUNG, UNERLAUBTER HANDLUNG, EINSCHLIESSLICH U. A. FAHRLÄSSIGKEIT, ODER AUF GRUNDLAGE EINER ANDEREN RECHTS- ODER BILLIGKEITSTHEORIE GRÜNDEN, DIE IN DIESER BESCHRÄNKTEN GEWÄHRLEISTUNG FESTGELEGTE RECHTMITTEL GELTEN IM HÖCHSTMÖGLICHEN GESETZLICH ZULÄSSIGEN RAHMEN AUCH DANN, WENN DIESE RECHTMITTEL IHREN WESSENTLICHEN ZWECK VERFEHLEN. UM ZWEIFEL AUSZUSCHLIESSEN, IST KEIN MITARBEITER, AGENT ODER SONSTIGE VERTRETER VON WAPRO BEFUGT, DIE HIER FESTGELEGTE GEWÄHRLEISTUNG ZU ERWEITERN ODER AUF SONSTIGE WEISE ZU VERÄNDERN.

NOUS VOUS REMERCIONS D'AVOIR CHOISI LA SOUPE ANTI-RETOUR INTÉGRÉE, BREVETÉE ET UNIQUE WASTOP® ET VOUS FÉLICITONS POUR CET ACHAT.

La conception unique de la WaStop empêche le reflux dans les réseaux de canalisation. Elle peut être installée en quelques minutes sur des conduites ou regards existants et offre une protection fiable contre les laisses de crue, débris flottants, gaz, eaux salées, insectes et petits animaux.

LA SÉCURITÉ AVANT TOUT

Lors de l'installation de la soupape anti-retour WaStop, veillez à prendre toutes les mesures de sécurité nécessaires. Wapro AB rejette toute responsabilité en cas de mauvaise installation ou d'utilisation inappropriée de ce produit. Une installation incorrecte peut provoquer des blessures, limiter la durée de vie utile de la soupape ou endommager d'autres éléments de raccord de la tuyauterie. Veuillez lire les informations suivantes avant d'installer la soupape anti-retour WaStop. Si vous avez des questions au sujet de l'installation, veuillez contacter votre revendeur local WaStop.

STOCKAGE

- La soupape anti-retour WaStop doit être stockée dans un lieu sec et frais, bien aéré.
- Aucun élément ne doit être inséré sur les extrémités de la soupape et ne doit toucher la membrane pendant le stockage.
- Ne pas laisser tomber, appuyer sur ou tordre la conduite ou membrane : ceci pourrait endommager le dispositif.
- Les soupapes les plus petites doivent être stockées dans la boîte dans laquelle elles ont été livrées. Les soupapes plus grandes doivent être stockées à des emplacements plus grands et sécurisés.
- Éviter toute exposition inutile à la lumière et aux produits chimiques.
- Stocker toutes les soupapes WaStop en position verticale avec l'extrémité conique vers le haut. Si ce type de stockage est impossible, veillez à maintenir le logement de chaque soupape sur une surface plane, de façon à éviter toute ovalisation.

TERMINOLOGIE

Direction du flux :	Direction normale du flux
Conduite existante :	Une conduite existante dans laquelle la soupape WaStop sera insérée.
Accouplement articulé/raccord :	Un raccord flexible reliant la conduite existante et la soupape WaStop.
Boulon écarteur :	Un boulon ayant un dispositif de fixation qui s'écarte alors que le boulon est fixé à une surface.
Joint en caoutchouc :	Un joint qui garantit l'absence de fuite entre l'intérieur de la conduite existante et la soupape WaStop.
Contre-pression :	La pression de liquide exercée contre la soupape. Généralement mesurée en pieds ou mètres de liquides au-dessus du radier de la conduite.
Membrane :	La membrane conique en élastomère qui se trouve à l'intérieur de la conduite de la soupape WaStop.
Conduite de soupape WaStop :	Le logement extérieur de la membrane WaStop.

RECOMMANDATION

Wapro recommande vivement que la vanne WaStop soit accessible, qu'il soit possible de désinstaller et de retirer le produit sans risques de dommages structurels majeurs ou de devoir creuser dans la zone entourant la vanne.

RECYCLAGE

WaStop se compose principalement de composants respectueux de l'environnement. Lors de la mise au rebut de la vanne, démontez et triez correctement les pièces en vue de leur recyclage. Reportez-vous au tableau ci-dessous pour savoir comment les composants doivent être recyclés.

	Acier inoxydable**	PE*	PVC*	Silicone*	EDPM*	Polyuréthane*
WaStop	Corps de vanne et fixations	Corps de vanne	Corps de vanne	Membrane	Membrane	Membrane

* Incinération

** Recyclage des métaux

GARANTIE LIMITÉE DE WAPRO AB

Wapro corrigera les défauts de matériel et/ou de fabrication sur toute nouvelle soupape Wapro pendant une durée de deux (2) ans à partir de la date de preuve d'achat, sous réserve que la soupape soit utilisée conformément aux instructions et recommandations de Wapro et sous réserve qu'elle soit utilisée dans des conditions normales de fonctionnement. La garantie ne couvre pas les dommages causés à la soupape provoqués par des forces mécaniques externes, telles que les interférences avec les humains, animaux ou machines ; la garantie s'annule si la soupape est modifiée ou altérée d'une quelconque façon après sa fabrication. En outre, la garantie s'annule (a) si la soupape est endommagée du fait d'une exposition à de fortes concentrations de substances chimiques, (b) si la soupape est endommagée du fait de surpressions et/ou vides d'air dans la soupape, (c) la garantie ne s'applique pas si la vitesse d'écoulement dépasse 2 m/s pour WaStop <DN300, 3 m/s pour WaStop <DN500, 4 m/s pour WaStop <DN1050 et 5 m/s pour WaStop <DN1800 et (d) si les dysfonctionnements sont causés par d'autres équipements. Une bride est nécessaire pour des vitesses d'écoulement supérieures à 2 m/s dans toutes les tailles. Pour exiger l'application de la garantie, l'acheteur doit contacter son revendeur WaStop dans un délai raisonnable après la découverte d'un quelconque endommagement/préjudice. Le numéro de série de la soupape doit être indiqué pour qu'une réclamation au titre de la garantie puisse être déposée. La responsabilité de Wapro se limite au remplacement ou à la réparation de la soupape défectueuse. Wapro ne prendra à sa charge aucun des frais encourus pour la dépose de soupapes défectueuses ou pour l'installation ultérieure de soupapes de remplacement. Par ailleurs, Wapro ne prendra à sa charge aucun frais de transport pour les soupapes endommagées ou soupapes de remplacement. Wapro atteste que les soupapes réparées ou remplacées sont couvertes pendant le reste de la durée de garantie initiale ou 90 jours, au minimum.

LA GARANTIE SUSMENTIONNÉE ANNULE TOUTE AUTRE GARANTIE, EXPRESSE OU IMPLICITE, NOTAMMENT ET SANS LIMITATION AUCUNE, TOUTE GARANTIE IMPLICITE OU CONDITION DE COMMERCIALISATION, APTITUDE À UN USAGE PARTICULIER ET NON-VIOLATION, LESQUELLES SONT EXPRESSEMENT REJETÉES. EN OUTRE, ELLE REMPLACE TOUTE AUTRE OBLIGATION OU RESPONSABILITÉ DE LA PART DE WAPRO. DANS LA LIMITE AUTORISÉE PAR LA LOI, WAPRO NE DOIT EN AUCUN CAS ÊTRE TENUE RESPONSABLE ENVERS L'ACHETEUR EN CAS DE PRÉJUDICE INDIRECT, ACCIDENTEL, SPÉCIFIQUE OU CONSÉQUENT (NOTAMMENT TOUT PRÉJUDICE LIÉ À UNE PERTE DE REVENU OU DE PROFIT), OU AUTRE, RÉSULTANT DE LA FOURNITURE DES SOUPAPES, PIÈCES OU SERVICES INHÉRENTS, OU DE LA PERFORMANCE, DE L'UTILISATION, OU DE L'INCAPACITÉ À UTILISER LES SOUPAPES, PIÈCES OU SERVICES, OU AUTRE, QUE CE SOIT SUR LA BASE D'UN CONTRAT, D'UNE GARANTIE, D'UN DÉLIT, NOTAMMENT ET SANS LIMITATION AUCUNE, SUR LA BASE D'UNE NÉGLIGENCE OU DE TOUT AUTRE PRINCIPE LÉgal OU ÉQUITABLE. DANS LES LIMITES AUTORISÉES PAR LA LOI EN VIGUEUR, LES RECOURS STIPULÉS DANS LA PRÉSENTE GARANTIE DOIVENT S'APPLIQUER, MÊME SI CES RECOURS NE REMPLISSENT PAS LEUR FONCTION ESSENTIELLE. AFIN DE LEVER TOUTE AMBIGÜITÉ, AUCUN EMPLOYÉ, AGENT OU AUTRE REPRÉSENTANT DE WAPRO N'EST AUTORISÉ À PROLONGER OU MODIFIER LA GARANTIE SPÉCIFIÉE DANS LES PRÉSENTES.

ENHORABUENA POR LA COMPRA DE LA VÁLVULA ANTIRRETORNO EN LÍNEA WASTOP® DE DISEÑO EXCLUSIVO Y PATENTADO.

La construcción única de la válvula WaStop evita situaciones de reflujo en redes de tuberías. Se puede instalar en cuestión de minutos en tuberías y bocas de acceso existentes, y ofrece una protección fiable frente a niveles de agua elevados, restos flotantes, gases, agua salada, insectos y pequeños animales.

LA SEGURIDAD ES LO PRIMERO

Al instalar una válvula antirretorno WaStop, asegúrese de tomar todas las precauciones de seguridad. Wapro AB no acepta ninguna responsabilidad derivada de una instalación incorrecta o del uso inadecuado de este producto. Una instalación incorrecta puede provocar daños personales, reducir la vida útil de la válvula o dañar otros productos acoplados a la válvula. Lea la siguiente información antes de instalar la válvula antirretorno WaStop. Si tiene alguna pregunta relativa a la instalación, llame a su distribuidor local de WaStop.

ALMACENAMIENTO

- Almacene la válvula antirretorno WaStop en un lugar fresco y seco con una ventilación adecuada.
- Mientras estén almacenadas, las válvulas no deben tener ningún objeto insertado en ninguno de los extremos en contacto con la membrana.
- No deje caer, retener ni ejerza una presión inadecuada sobre la tubería o la membrana, ya que dichas acciones podrían provocar daños en estos componentes.
- Las válvulas de dimensiones más pequeñas se deberían almacenar en la caja en la que se suministraron. Las válvulas de tamaño más grande se deberían almacenar en un lugar seguro donde no puedan ser manipuladas.
- Evite una exposición innecesaria a la luz y sustancias químicas.
- Almacene todas las válvulas WaStop en posición vertical, con el extremo del cono mirando hacia arriba. Si no fuera posible, asegúrese de que el alojamiento de la válvula está bien apoyado para evitar que se produzca cualquier ovalización.

TERMINOLOGÍA

Dirección del flujo:	dirección normal del flujo.
Tubería existente:	una tubería existente en la que se insertará la válvula WaStop.
Junta de acoplamiento:	una junta de acoplamiento flexible que une la tubería existente y la válvula WaStop.
Perno de expansión:	un perno que cuenta con un dispositivo que se expande cuando se presiona el perno sobre una superficie.
Junta de sellado:	una junta que evita cualquier fuga entre el interior de la tubería existente y la válvula WaStop.
Contraprensa:	la presión que ejerce el fluido contra la válvula. Habitualmente, se mide en metros o pies de fluido por encima de la elevación de la tubería.
Membrana:	la membrana cónica de elastómero que se encuentra en el interior de la tubería WaStop.
Tubería WaStop:	la carcasa exterior (alojamiento) de la membrana WaStop.

RECOMENDACIÓN

Wapro recomienda encarecidamente que la válvula WaStop sea accesible, de modo que sea posible desinstalar y retirar el producto sin provocar grandes daños estructurales ni la excavación del área que rodea la válvula.

RECICLAJE

WaStop consta principalmente de componentes respetuosos con el medio ambiente. Al desechar la válvula, desmonte y clasifique adecuadamente las piezas para su reciclaje. Consulte la tabla siguiente para saber cómo deben reciclarse los componentes.

	Acero inoxidable**	PE*	PVC*	Silicona*	EDPM*	Poliuretano*
WaStop	Cuerpo de la válvula y sujetones	Cuerpo de la válvula	Cuerpo de la válvula	Membrana	Membrana	Membrana

* Incineración

** Reciclaje de metales

GARANTÍA LIMITADA DE WAPRO AB

Wapro subsanará los defectos en materiales y/o mano de obra de cualquier válvula Wapro durante un periodo de dos (2) años a contar a partir de la fecha de compra documentada siempre que se haya utilizado la válvula de acuerdo con lo establecido en las instrucciones y recomendaciones de Wapro y en condiciones de funcionamiento normales. La garantía no cubre los daños provocados a la válvula por fuerzas mecánicas externas, como acciones de seres humanos, animales o máquinas, y la garantía no será válida en el caso de que la válvula haya sido modificada o alterada de cualquier modo tras su fabricación. Además, la garantía no será válida si: a) la válvula sufre daños debidos a una exposición a concentraciones elevadas de sustancias químicas, b) la válvula sufre daños debidos a picos de presión y/o vacío en el interior de la propia válvula, c) la garantía no es válida si la velocidad del caudal supera los 2 m/s para WaStop < DN300, 3 m/s para WaStop < DN500, 4 m/s para WaStop < DN1050 y 5 m/s para WaStop < DN1800, y (d) si el mal funcionamiento es causado por otros equipos. Se requiere una brida para velocidades de caudal superiores a los 2 m/s en todos los tamaños. Para solicitar el servicio de garantía, el comprador debe ponerse en contacto con el distribuidor WaStop al que compró la válvula dentro de un plazo razonable tras detectar los defectos en cuestión. En el caso de que se presente una reclamación de garantía, se deberá indicar el número de serie de la válvula. La responsabilidad de Wapro se limita a la sustitución o reparación de la válvula defectuosa. Wapro no asumirá los costes derivados de la retirada de las válvulas defectuosas ni de la posterior instalación de las válvulas de sustitución. Wapro tampoco asumirá los costes de transporte de las válvulas dañadas ni de las válvulas de sustitución. Wapro garantiza que las válvulas reparadas o sustituidas estarán cubiertas durante el resto del periodo de garantía de la válvula original o durante 90 días, dependiendo de cuál de estos dos periodos sea el de mayor duración. LA GARANTÍA INDICADA ANTERIORMENTE SUSTITUIRÁ A CUALQUIER OTRA GARANTÍA, EXPRESA O IMPLÍCITA, INCLUYENDO, SIN LIMITACIÓN ALGUNA, CUALQUIER GARANTÍA IMPLÍCITA O CONDICIÓN DE COMERCIABILIDAD, IDONEIDAD PARA UN FIN CONCRETO Y NO VIOLACIÓN DE DERECHOS DE TERCEROS, QUE SE RECHAZAN DE FORMA EXPRESA, Y SUSTITUIRÁ A CUALQUIER OTRA OBLIGACIÓN O RESPONSABILIDAD POR PARTE DE WAPRO. EN LA MEDIDA MÁXIMA EN QUE LO PERMITA LA LEGISLACIÓN APLICABLE, BAJO NINGUNA CIRCUNSTANCIA WAPRO SERÁ RESPONSABLE ANTE EL COMPRADOR DE NINGÚN DAÑO INDIRECTO, INCIDENTAL, ESPECIAL O CONSECUENCIAL (INCLUIDO CUALQUIER DAÑO POR PERDIDAS DE INGRESOS O BENEFICIOS), NI DE NINGÚN OTRO TIPO, QUE PUEDA DERIVARSE O ESTAR RELACIONADO CON EL SUMINISTRO DE LAS VÁLVULAS, PIEZAS O SERVICIOS ESTABLECIDOS EN EL PRESENTE DOCUMENTO, NI POR EL FUNCIONAMIENTO, USO O INCAPACIDAD DE USO DE CUALQUIERA DE LAS VÁLVULAS, PIEZAS O SERVICIOS, NI EN NINGÚN OTRO SUPUESTO, TANTO SI LAS RECLAMACIONES SE PRESENTAN EN VIRTUD DEL CONTRATO, GARANTÍA O RESPONSABILIDADES EXTRA-CONTRACTUALES, INCLUYENDO, SIN LIMITACIÓN ALGUNA, NEGLIGENCIA O CUALQUIER OTRA TEORÍA LEGAL O ANALÓGA. EN LA MEDIDA MÁXIMA EN QUE LO PERMITA LA LEGISLACIÓN APLICABLE, LAS REPARACIONES ESTABLECIDAS EN ESTA GARANTÍA LIMITADA SE APLICARÁN INCLUSO EN EL CASO DE QUE DICHAS REPARACIONES NO CUMPLAN SU OBJETIVO ESENCIAL. PARA EVITAR CUALQUIER DUDA, NINGÚN EMPLEADO, AGENTE U OTRO REPRESENTANTE DE WAPRO ESTÁ AUTORIZADO A AMPLIAR O MODIFICAR EN MODO ALGUNO LA GARANTÍA ESPECIFICADA EN EL PRESENTE DOCUMENTO.

OBRIGADO POR ADQUIRIR A VÁLVULA DE RETENÇÃO RETA WASTOP® ORIGINAL E PATENTEADA.

A construção única da WaStop evita retornos em redes de tubos. Pode ser instalada em apenas alguns minutos em tubos ou câmaras de visita existentes, e proporciona uma proteção fiável contra níveis elevados de água, resíduos, gases, água salgada, insetos e pequenos animais.

A SEGURANÇA EM PRIMEIRO LUGAR

Quando instalar uma válvula de retenção WaStop, verifique se foram tomadas todas as precauções de segurança. A Wapro AB não assume qualquer responsabilidade pela instalação incorreta ou pela utilização inadequada deste produto. Uma instalação incorreta pode causar danos físicos, reduzir a vida útil da válvula ou danificar outros produtos de união de tubos. Leia as seguintes informações antes de instalar a válvula de retenção WaStop®. Se tiver dúvidas sobre a instalação, contacte o seu revendedor local da WaStop.

ARMAZENAMENTO

- A válvula de retenção WaStop deve ser armazenada num local seco, fresco e bem ventilado.
- Durante o armazenamento, não se deve introduzir nada em nenhuma das extremidades da válvula que toquem na membrana.
- Não deixe cair, não exerça uma pressão indevida, nem torça o tubo ou a membrana, visto poder provocar danos.
- A válvula de menor dimensão deve ser armazenada na caixa em que foi entregue. As válvulas maiores devem ser armazenadas num local seguro, onde não seja possível interferir com as mesmas.
- Evite uma exposição desnecessária à luz e a agentes químicos.
- Armazene todas as WaStops numa posição vertical, com a extremidade do cone para cima. Se tal não for possível, confirme que o alojamento da válvula fica apoiado para evitar a criação de ovalidade.

TERMINOLOGIA

- Sentido de fluxo: sentido normal de fluxo
- Tubo existente: tubo existente onde é inserida a WaStop.
- Junta de acoplamento: um acoplamento flexível que une um tubo existente e a WaStop.
- Cavilha de expansão: uma cavilha com um acessório que se expande à medida que a cavilha é introduzida numa superfície.
- Vedante de borracha: um vedante que garante a ausência de fugas entre o interior do tubo existente e a WaStop.
- Pressão de retorno: a pressão do fluido exercida sobre a válvula. Normalmente medida em pés ou metros de fluido acima do arco invertido de apoio do tubo.
- Membrana: a membrana cônica de elastómero que se encontra dentro do tubo da WaStop.
- Tubo da WaStop: A estrutura exterior (alojamento) da membrana da WaStop.

RECOMENDAÇÃO

A Wapro recomenda fortemente que a válvula WaStop esteja acessível e que seja possível instalar e remover o produto sem grandes danos estruturais ou escavações na área em volta da válvula.

RECICLAGEM

A WaStop consiste principalmente em componentes amigos do ambiente. Ao descartar a válvula, desmontar e ordenar adequadamente as peças para reciclagem. Ver abaixo a tabela para saber como os componentes devem ser reciclados.

	Aço inoxidável**	PE*	PVC*	Silicone*	EDPM*	Poliuretano*
WaStop	Corpo da válvula e apertos	Corpo da válvula	Corpo da válvula	Membrana	Membrana	Membrana

* Incinerar

** Reciclagem de metal

GARANTIA LIMITADA DA WAPRO AB

A Wapro assume a reparação de defeitos no material e/ou fabrico em qualquer válvula nova da Wapro por um período de dois (2) anos a partir da data de compra comprovada, desde que a válvula tenha sido utilizada de acordo com as instruções e recomendações da Wapro, em condições de operação normais. A garantia não abrange danos na válvula causados por forças mecânicas externas, como por exemplo interferência de humanos, animais ou máquinas, nem é válida se a válvula tiver sido modificada ou alterada de qualquer forma após a produção. Além disso, a garantia não é válida (a) se a válvula ficar danificada devido à exposição a elevadas concentrações de substâncias químicas, (b) se a válvula ficar danificada devido a picos de pressão e/ou vácuo dentro da válvula, (c) a garantia é inválida se a velocidade de fluxo exceder 2m/s para a WaStop < DN1500, 3m/s para a WaStop < DN500, 4m/s para a WaStop < DN1050 e 5m/s para a WaStop < DN1800, e (d) se os defeitos forem causados por outro equipamento. E exigida uma flange para uma velocidade do fluxo superior a 2m/s em todos os tamanhos. Para ativar a garantia, o comprador deve contactar o revendedor onde a válvula WaStop foi adquirida dentro de um período de tempo razoável após descobrir eventuais defeitos. O comprador deve indicar o número de série da válvula em caso de ativação da garantia. A responsabilidade da Wapro limita-se à substituição ou reparação da válvula com defeito. A Wapro não assume nenhuma despesa resultante da remoção de válvulas com defeito nem da instalação subsequente de válvulas de substituição. Além disso, a Wapro não assume os custos de transporte de válvulas danificadas nem de válvulas de substituição. A Wapro garante que as válvulas reparadas ou substituídas ficam abrangidas pelo tempo restante da garantia da válvula original ou durante 90 dias.

A GARANTIA ACIMA INDICADA SUBSTITUI QUAISQUER OUTRAS GARANTIAS, EXPLÍCITAS OU IMPLÍCITAS, INCLUINDO, SEM LIMITAÇÃO, QUAISQUER GARANTIAS IMPLÍCITAS OU CONDIÇÕES DE COMERCIALIZAÇÃO, ADEQUAÇÃO PARA UM DETERMINADO FIM E NÃO INFRAÇÃO QUE TENHAM SIDO EXPRESSAMENTE REJEITADAS, E SUBSTITUI QUALQUER E TODAS AS OUTRAS OBRIGAÇÕES OU RESPONSABILIDADES DA PARTE DA WAPRO, NO LIMITE MÁXIMO PERMITIDO PELA LEGISLAÇÃO APLICÁVEL, A WAPRO NÃO PODE SER RESPONSABILIZADA, EM NENHUMA CIRCUNSTÂNCIA, PERANTE O COMPRADOR POR QUALQUER DANO INDIRETO, ACESSÓRIO, ESPECIAL OU CONSEQUENCIAL (INCLUINDO DANOS POR PERDA DE RENDIMENTOS OU LUCROS), OU DE OUTRO MODO RESULTANTE DE OU RELACIONADO COM O FORNECIMENTO DAS VÁLVULAS, PEÇAS, OU ASSISTÊNCIA NESTES TERMOS, NEM PELO DESEMPENHO, UTILIZAÇÃO OU INCAPACIDADE DE UTILIZAÇÃO DE QUALQUER UMA DAS VÁLVULAS, PEÇAS OU ASSISTÊNCIA, OU DE OUTRO MODO, QUER COM BASE EM CONTRATOS, GARANTIAS, DELITOS, INCLUINDO, SEM LIMITAÇÃO, NEGLIGÊNCIA OU QUALQUER OUTRA TEORIA LEGAL OU EQUITATIVA. NO LIMITE MÁXIMO PERMITIDO PELA LEGISLAÇÃO APLICÁVEL, AS MEDIDAS DE RESOLUÇÃO DEFINIDAS NESTA GARANTIA LIMITADA DEVEM APLICAR-SE, MESMO SE TAIS MEDIDAS DE RESOLUÇÃO NÃO CUMPRIREM O SEU PROPÓSITO ESSENCIAL PARA EVITAR QUALQUER DÚVIDA, NENHUM FUNCIONÁRIO, AGENTE OU REPRESENTANTE DA WAPRO TEM AUTORIZAÇÃO PARA PROLONGAR OU DE OUTRO MODO MODIFICAR A GARANTIA AQUI ESPECIFICADA.

CONGRATULAZIONI PER AVER ACQUISTATO L'ECCEZIONALE VALVOLA DI RITEGNO IN LINEA WASTOP® BREVETTATA.

L'eccezionale struttura WaStop impedisce il riflusso nelle reti di tubazioni. Può essere installata in pochi minuti sia su tubazioni sia su chiusini esistenti, e fornisce una protezione affidabile contro livelli elevati di acqua, detriti galleggianti, gas, acqua salata, insetti e piccoli animali.

LA SICUREZZA INNANZITUTTO

Al momento dell'installazione di una valvola di ritegno WaStop, occorre osservare tutte le possibili precauzioni di sicurezza. Wapro AB non si assume alcuna responsabilità in caso di installazione errata o di uso improprio del presente prodotto. Un'installazione errata può provocare lesioni, una riduzione del ciclo di vita della valvola o danni ad altri prodotti di accoppiamento per tubazioni. Si prega di leggere le seguenti informazioni prima di installare la valvola di ritegno WaStop. In caso di domande relative all'installazione, si prega di chiamare il rivenditore WaStop più vicino.

STOCCAGGIO

- La valvola di ritegno WaStop deve essere conservata in un luogo fresco, asciutto e ben ventilato.
- Durante lo stoccaggio, non inserire alcun oggetto nelle due estremità delle valvole a contatto con la membrana
- Non far cadere, non esercitare pressione eccessiva o ruotare la tubazione o la membrana, in quanto è possibile che ciò provochi danni.
- La valvola di dimensioni più piccole deve essere conservata nella scatola in cui è stata consegnata. Le valvole più grandi devono essere conservate in un luogo sicuro dove non vi è rischio di manomissione.
- Evitare l'esposizione inutile alla luce e alle sostanze chimiche.
- Tutte le valvole WaStop devono essere conservate in posizione verticale con l'estremità del cono rivolta verso l'alto. Se questo non è possibile, accertarsi che l'alloggiamento della valvola sia ben supportato per fare in modo che non assuma una forma ovale.

TERMINOLOGIA

- Direzione del flusso: normale direzione del flusso
 Tubazione esistente: una tubazione già presente in cui la valvola WaStop sarà inserita.
 Accoppiamento del giunto: un accoppiamento flessibile che unisce la tubazione esistente e la valvola WaStop.
 Bullone a espansione: un bullone con un attacco che si espande quando il bullone viene inserito in una superficie.
 Guarnizione: una guarnizione che garantisce l'assenza di perdite tra la parte interna della tubazione esistente e la valvola WaStop.
 Contropressione: la pressione del fluido esercitata contro la valvola. Solitamente viene misurata in piedi o metri di fluido sopra l'inserito della tubazione.
 Membrana: la membrana conica in elastomero all'interno della tubazione WaStop.
 Tubazione WaStop: l'involucro esterno (alloggiamento) della membrana WaStop.

RACCOMANDAZIONE

Wapro raccomanda vivamente che la valvola WaStop sia accessibile, che sia possibile disinstallare e rimuovere il prodotto senza troppi danni strutturali oppure scavare nell'area intorno alla valvola.

RICICLO

La valvola WaStop è costituita principalmente da componenti ecosostenibili. Quando la valvola viene smaltita, smontarne e selezionarne correttamente le parti per il riciclo. Consultare la tabella qui di seguito per verificare la modalità di riciclo dei componenti.

	Acciaio inox**	PE*	PVC*	Silicone*	EPDM*	Poliuretano*
WaStop	Corpo valvola e dispositivi di chiusura	Corpo valvola	Corpo valvola	Membrana	Membrana	Membrana

* Incenerimento

** Riciclo dei metalli

GARANZIA LIMITATA WAPRO AB

Wapro porrà rimedio ai difetti in termini di materiale e/o fattura su qualsiasi nuova valvola Wapro per un periodo di due (2) anni dalla data documentata di acquisto, a condizione che la valvola sia stata utilizzata secondo le istruzioni e le raccomandazioni di Wapro e in normali condizioni operative. La garanzia non copre danni alla valvola provocati da forze meccaniche esterne, ad esempio l'interferenza di esseri umani, animali o macchine, e la garanzia non è valida qualora la valvola sia stata modificata o alterata in alcun modo dopo la produzione. Inoltre, la garanzia non è valida (a) qualora la valvola venga danneggiata a causa dell'esposizione a concentrazioni elevate di sostanze chimiche, (b) qualora la valvola venga danneggiata a causa di aumenti di pressione e/o sottovuoto all'interno della valvola stessa, (c) la garanzia non è valida se la velocità di flusso supera i 2 m/s per la valvola WaStop <DN300, 3m/s per la WaStop <DN500, 4m/s per la WaStop <DN1050 e 5m/s per la WaStop <DN1800 e (d) se i malfunzionamenti sono causati da altre apparecchiature. È necessaria una flangia per la velocità di flusso superiore a 2 m/s in tutte le dimensioni. Per richiedere l'assistenza in garanzia, l'acquirente deve contattare il concessionario WaStop dove ha acquistato la valvola entro un periodo di tempo ragionevole dopo il rilevamento degli eventuali difetti. In caso di richiesta di assistenza in garanzia occorre fornire il numero di serie della valvola. La responsabilità di Wapro si limita alla sostituzione o alla riparazione della valvola difettosa. Wapro non si assume la responsabilità dei costi sostenuti per la rimozione delle valvole difettose o per la conseguente installazione delle valvole sostitutive. Inoltre, Wapro non si fa carico dei costi di trasporto per le valvole danneggiate o quelle sostituite. Wapro garantisce che le valvole riparate o sostituite sono coperte per la maggior parte della garanzia rimanente della valvola originale o per 90 giorni.

LA GARANZIA SOPRA DESCRITTA SOSTITUISCE QUALSIASI ALTRA GARANZIA, ESPRESSA O IMPLICITA, INCLUSE A TITOLO ESEMPLIFICATIVO E NON ESAUSTIVO, QUALSIASI GARANZIA O CONDIZIONE DI COMMERCIALIZZABILITÀ, IDONEITÀ PER UN PARTICOLARE SCOPO E NON VIOLAZIONE, CHE SONO ESPRESSAMENTE NEGATE, E SOSTITUISCE OGNI E QUALSIASI ALTRO OBBLIGO O RESPONSABILITÀ A CARICO DI WAPRO. NELLA MISURA MASSIMA CONSENTITA DALLE LEGGI IN VIGORE, IN NESSUNA CIRCOSTANZA WAPRO SI ASSUMERÀ LA RESPONSABILITÀ NEI CONFRONTI DELL'ACQUIRENTE PER QUALSIASI DANNO INDIRETTO, INCIDENTALE, SPECIALE O CONSEGUENZIALE (INCLUSE EVENTUALI DANNI DA PERDITA DI REDDITO O PROFITTO), O ALTRIMENTI VERIFICATOSI PER O IN RELAZIONE ALLA FORNITURA DELLE VALVOLE, DELLE PARTI O DELL'ASSISTENZA PREVISTA NEL PRESENTE DOCUMENTO, O ALLE PRESTAZIONI, UTILIZZO O IMPOSSIBILITÀ DI UTILIZZO DI QUALSIASI VALVOLA, PARTE O SERVIZIO, O ALTRIMENTI, SIA CHE LA RICHIESTA AVVENGA SU BASE DI CONTRATTO, GARANZIA, ILLECITO, INCLUSE A TITOLO ESEMPLIFICATIVO E NON ESAUSTIVO, LA NEGLIGENZA O QUALSIASI ALTRA TEORIA LEGALE O GIURIDICA. NELLA MISURA MASSIMA CONSENTITA DALLE LEGGI IN VIGORE, I RIMEDI PREVISTI IN QUESTA GARANZIA LIMITATA SARANNO VALIDI ANCHE QUALORA TALI RIMEDI NON SIANO ADATTI ALLO SCOPO PERSEGUITO. SI PRECISA CHE NESSUN DIPENDENTE, AGENTE O ALTRO RAPPRESENTANTE DI WAPRO È AUTORIZZATO A ESTENDERE O ALTRIMENTI MODIFICARE LA GARANZIA QUI SPECIFICATA.

GEFELICITEERD MET UW AANKOOP VAN DE UNIEKE GEPATENTEERDE WASTOP® INLINE-TERUGSLAGKLEP.

De unieke WaStop-constructie voorkomt het terugstromen in leidingen. De klep kan binnen enkele minuten worden geïnstalleerd in bestaande leidingen of mangaten en biedt een betrouwbare bescherming tegen hoge waterniveaus, meedrijvende voorwerpen, gassen, zout water, insecten en kleine dieren.

VEILIGHEID VOOR ALLES

Wanneer u een WaStop-terugslagklep installeert, moet u ervoor zorgen dat u alle vereiste veiligheidsmaatregelen treft. Wapro AB aanvaardt geen aansprakelijkheid voor foutieve installaties of onjuist gebruik van dit product. Foutieve installatie kan letsel veroorzaken, de kleplevensduur reduceren of leiden tot schade aan gekoppelde leidingproducten. Lees de volgende informatie voordat u de WaStop®-terugslagklep installeert. Als u vragen hebt over het installeren, kunt u telefonisch contact opnemen met uw plaatselijke WaStop-wederverkoper.

OPSLAG

- De WaStop-terugslagklep moet worden bewaard op een koele, droge locatie met een goede ventilatie.
- Gedurende de opslagperiode mag in de kleppen aan beide uiteinden niets zijn ingebracht dat het membraan raakt.
- Laat de klep of het membraan niet vallen, stel dit onderdeel niet onnodig bloot aan druk en verdraai de klep of het membraan niet, omdat er anders schade kan optreden.
- Het kleinere formaat klep dient te worden opgeslagen in de doos waarin deze is geleverd. Grotere kleppen dienen te worden opgeslagen op een veilige locatie waarop er niet met deze kleppen kan worden geknoeid.
- Vermijd onnodige blootstelling aan licht en chemicaliën.
- Bewaar alle WaStops-kleppen in een verticale positie met het uiteinde van de kegel omhoog gericht. Als dat niet mogelijk is, moet u ervoor zorgen dat het klephuis wordt ondersteund om ervoor te zorgen dat er geen ovaalvorming optreedt.

TERMINOLOGIE

- Stroomrichting: normale richting van de stroming
 Bestaande leiding: een bestaande leiding waarin het WaStop-product wordt ingebracht.
 Verbindingskoppeling: een flexibele koppeling via welke de bestaande leiding en het WaStop-product met elkaar worden verbonden.
 Keilbout: een bout die is voorzien van een gedeelte dat uitzet wanneer de bout in een oppervlak wordt ingebracht.
 Rubberen afdichting: een afdichting die ervoor zorgt dat er geen lekkage optreedt tussen de binnenkant van de bestaande leiding en het WaStop-product.
 Tegendruk: de vloeistofdruk die op de klep wordt uitgeoefend. Deze wordt gewoonlijk uitgedrukt in meters of voeten aan vloeistof boven de kring van de leiding.
 Membraan: Het elastomeren consische membraan in de WaStop-leiding.
 WaStop-leiding: het externe omhulsel (behuizing) van het WaStop-membraan.

AANBEVELING

Wapro beveelt sterk aan dat de WaStop-klep toegankelijk is, dat het mogelijk is om de installatie ongedaan te maken en de klep te verwijderen zonder grote structurele schade of graven in het gebied rond de klep.

RECYCLING

WaStop bestaat primair uit milieuvriendelijke componenten. Bij verwijdering van de klep de onderdelen demonteren en goed sorteren voor recycling. Zie onderstaande tabel voor de manier waarop de componenten moeten worden gerecycled.

	Roestvrijstaal**	PE*	PVC*	Silicone*	EDPM*	Polyurethaan*
WaStop	Klepelement en bevestigingsmiddelen	Klepelement	Klepelement	Membraan	Membraan	Membraan

* Verassen

** Metaalrecycling

BEPERKTE WAPRO AB-GARANTIE

Wapro zal defecten in het materiaal en/of het vakmanschap in elke nieuwe Wapro-klep herstellen gedurende een periode van twee (2) jaar vanaf de geregistreerde aankoopdatum, op voorwaarde dat de klep is gebruikt in overeenstemming met de instructies en aanbevelingen van Wapro en onder normale gebruiksomstandigheden. De garantie vervalt bij schade aan de klep die is veroorzaakt door externe mechanische krachten, zoals ingrijpen door mensen, dieren of machines, en de garantie vervalt als de klep op enige wijze is aangepast of gewijzigd na de eigenlijke productie. Daarnaast komt de garantie te vervallen (a) als de klep is beschadigd als gevolg van hoge concentraties aan chemische stoffen, (b) als de klep is beschadigd door drukpieken en/of vacuüm in de klep, (c) als de stroomsnelheid meer dan 2m/s voor WaStop <DN300, 3m/s voor WaStop <DN500, 4m/s voor WaStop <DN1050 en 5m/s voor WaStop <DN1800 bedraagt en (d) indien storingen worden veroorzaakt door andere apparatuur. Een flens is vereist voor stroomsnelheden van meer dan 2m/s in alle maten. Als de koper de garantieservice wenst in te roepen, moet hij of zij, binnen een redelijk tijdsbestek waarna eventuele defecten zijn ontdekt, contact opnemen met de WaStop-dealer waarbij de klep is gekocht. In het geval van een garantieclaim moet het klepserienummer worden vermeld. De aansprakelijkheid van Wapro is beperkt tot het vervangen of repareren van de defecte klep. Wapro aanvaardt geen aansprakelijkheid voor kosten voor het verwijderen van defecte kleppen of de daaropvolgende installatie van vervangende kleppen. Daarnaast aanvaardt Wapro geen aansprakelijkheid voor transportkosten voor beschadigde kleppen of vervangende kleppen. Wapro garandeert dat gerepareerde of vervangen kleppen onder de garantie vallen voor het resterende gedeelte van de oorspronkelijke klepgarantie of 90 dagen, wat het langste is. DE HIERVOOR BESCHREVEN GARANTIE KOMT IN PLAATS VAN ALLE ANDERE GARANTIES, HETZIJ NADRUKKELIJK, HETZIJ IMPLICIET, DAARONDER INBEGREPEN, MAAR NIET BEPERKT TOT, EVENTUELE IMPLICIETE GARANTIES OF VOORWAARDEN VOOR VERKOOPBAARHEID, GESCHIKTHEID VOOR EEN BEPAALD DOEL EN HET NIET-INBREUK MAKEN, WELKE NADRUKKELIJK VAN DE HAND WORDEN GEWEZEN, EN KOMT IN DE PLAATS VAN ENIGE EN ALLE ANDERE VERPLICHTINGEN OF AANSPRAKELIJKHEID VAN DE ZIJDE VAN WAPRO. VOOR ZOVER MAXIMAAL TOEGESTAAN ONDER HET TOEPASSELIJK RECHT, IS WAPRO IN GEEN GEVAL AANSPRAKELIJK TEN AANZIEN VAN DE KOPER VOOR INDIRECTE, INCIDENTELE, SPECIALE OF GEVOLGSCHADE(DAARONDER INBEGREPEN EVENTUELE INKOMSTENDERIVING OF WINSTDERIVING), OF SCHADE DIE ANDERSZINS VOORTVLOEIT UIT OF DIE VERBAND HOUDT MET HET BESCHIKBAAR STELLEN VAN DE KLEPPEN, ONDERDELEN OF SERVICE, OF ANDERSZINS, OF DE PRESTATIES, HET GEBRUIK OF DE ONMOGELIJKHEID TOT HET GEBRUIK VAN DE KLEPPEN, ONDERDELEN OF SERVICE, OF ANDERSZINS, ONGEACHT OF DEZE IS GEBASEERD OP CONTRACT, GARANTIE OF ONRECHTMATIGE DAAD, DAARONDER INBEGREPEN, MAAR NIET BEPERKT TOT VERWAARLOZING, OF ENIGE ANDERE JURIDISCHE OF BILLIJKHEIDSTHEORIE. VOOR ZOVER MAXIMAAL IS TOEGESTAAN ONDER HET TOEPASSELIJK RECHT, ZULLEN DE VERHAALSMOGELIJKHEDEN DIE IN DEZE BEPERKTE GARANTIE ZIJN UITEENGEZET, ZELFS VAN TOEPASSING ZIJN INDIEN DEZE HUN ESSENTIELE DOEL NIET HALEN. TEN EINDE IEDERE TWIJFEL WEG TE NEMEN, IS GEEN ENKELE WERKNEMER, TUSSENPERSON OF VERTEGENWOORDIGER VAN WAPRO GERECHTIGD OM DE IN DIT DOCUMENT UITEENGEZETTE GARANTIE TE VERLENGEN OF ANDERSZINS AAN TE PASSEN.

BLAHOPŘEJEME VÁM K NÁKUPU UNIKÁTNÍ PATENTOVANÉ ZPĚTNÉ KLAPKY WASTOP® URČENÉ K MONTÁŽI PŘÍMO DO POTRUBÍ.

Jedinečná konstrukce zpětné klapky WaStop slouží k ochraně potrubí proti zpětnému proudění. Do stávajícího potrubí nebo šachet ji lze instalovat během několika minut a poskytuje spolehlivou ochranu proti vysoké hladině vody, plouvajícímu odpadu, plynům, slané vodě, hmyzu a drobnému zvířectvu.

BEZPEČNOST V PRVNÍ ŘADĚ

Při montáži zpětné klapky WaStop dbejte na to, aby byla respektována všechna bezpečnostní opatření. Společnost Wapro AB neodpovídá za nesprávnou montáž ani nevhodné použití tohoto výrobku. Nesprávná montáž může vést k úrazu, zkrácení životnosti klapky nebo poškození jiných připojených potrubních prvků. Před prováděním montáže zpětné klapky WaStop si důkladně pročtěte následující informace. Budete-li mít k montáži jakékoli dotazy, obraťte se na místního prodejce výrobků WaStop.

SKLADOVÁNÍ

- Zpětnou klapku WaStop skladujte v suchých, chladných a dobře větráných prostorách.
- Při skladování nevkládejte do žádneho z konců klapky žádné předměty, které by se mohly dotýkat membrány.
- Trubkovou část ani membránu nevystavujte účinkům pádu, nepřiměřeného tlaku nebo kroutícího momentu - mohlo by dojít k poškození klapky.
- Klapky menších rozměrů skladujte v krabicích, v nichž byly dodány. Větší klapky skladujte v bezpečném místě, kde k nim nebudou mít přístup neoprávněné osoby.
- Pokud to není nutné, výrobek nevystavujte působení světla a chemikálií.
- Všechny klapky WaStop® skladujte ve vertikální poloze tak, aby byl konec kužele nahoře. Není-li to možné, postarejte se o to, aby byl plášť klapky vhodně podepřený tak, aby nemohlo docházet k jeho ovládné deformaci.

TERMINOLOGIE

- Směr proudění: Standardní směr proudění
- Stávající potrubí: Stávající potrubí, do něhož se klapka WaStop bude instalovat.
- Kloubový spoj: Pružná spojka spojující stávající potrubí a zpětnou klapku WaStop.
- Rozpěrný šroub: Šroub s nástavcem, který se při průniku šroubu do povrchu rozpíná.
- Prýžkové těsnění: Těsnění bránící prosakování mezi vnitřní stěnou stávajícího potrubí a zpětnou klapkou WaStop.
- Zpětný tlak: Tlak kapaliny působící na klapku. Obvykle se měří ve stopách nebo metrech ode dna trubky.
- Membrána: Kuželová membrána z elastomeru, která se nachází uvnitř trubkové konstrukce klapky WaStop.
- Trubková konstrukce klapky WaStop: Vnější plášť (oplaštění) membrány WaStop.

DOPORUČENÍ

Společnost Wapro důrazně doporučuje, aby byl ventil WaStop dobře přístupný a aby bylo možné jej demontovat a odstranit, aniž by došlo k rozsáhlému poškození konstrukcí nebo aniž by bylo nutné provádět výkop v místě instalace.

RECYKLACE

Ventil WaStop je převážně tvořen ekologickými součástmi. Při likvidaci ventil demontujte a jeho součásti roztrďte za účelem jejich recyklace. V tabulce níže naleznete informace o způsobu recyklace jednotlivých součástí.

	Nerezová ocel**	PE*	PVC*	Silikon*	EDPM*	Polyuretan*
WaStop	Těleso ventilu a upínací prvky	Těleso ventilu	Těleso ventilu	Membrána	Membrána	Membrána

* Spalování

** Recyklace kovů

OMEZENÁ ZÁRUKA SPOLEČNOSTI WAPRO AB

Společnost Wapro odstraní vady materiálu a/nebo zpracování na každém novém ventilu značky Wapro po dobu dvou (2) let od doloženého data nákupu pod podmínkou, že byl ventil používán v souladu s pokyny a doporučeními společnosti Wapro a za běžných provozních podmínek. Záruka se nevztahuje na poškození ventilu způsobená vnějšími mechanickými silami, jako jsou zásahy vyvolané lidmi, zvířaty nebo stroji. Záruka rovněž pozbývá platnost, pokud byl ventil po dokončení výroby jakýmkoli způsobem pozměněn nebo upraven. Záruka dále zaniká (a) v případě, že je ventil poškozen v důsledku vystavení vysokým koncentracím chemických látek, (b) pokud je ventil poškozen v důsledku tlakových rázů a/nebo podtlaku uvnitř ventilu, (c) Záruka je neplatná, jestliže průtoková rychlost přesáhne 2 m/s u WaStop <DN300, 3 m/s u WaStop <DN500, 4 m/s u WaStop <DN1050 a 5 m/s u WaStop <DN1800, případně (d) pokud je porucha způsobena jiným zařízením. Při průtokové rychlosti přesahující 2 m/s je nutno u všech velikostí použít přírubu. Při uplatnění požadavku na záruční opravu je kupující povinen se v přiměřené lhůtě od zjištění závady obrátit na prodejce značky WaStop, od kterého ventil zakoupil. V případě uplatnění nároku ze záruky je nutné uvést výrobní číslo ventilu. Odpovědnost společnosti Wapro je omezena na výměnu nebo opravu vadného ventilu. Společnost Wapro nehradí náklady na demontáž vadných ventilů ani následnou montáž náhradního ventilu. Společnost Wapro dále nehradí náklady na přepravu vadných ventilů ani náhradních ventilů. Společnost Wapro poskytuje na opravené nebo výměněné ventily záruku buď po zbývajících dobu původní záruky, nebo po dobu 90 dnů, podle toho, které období je delší. VÝŠE UVEDENÁ ZÁRUKA NAHRAZUJE VEŠKERÉ OSTATNÍ ZÁRUKY, VYJÁDŘENÉ NEBO MLČKY PŘEDPOKLÁDANÉ, ZEJMÉNA JAKÉKOLI MLČKY PŘEDPOKLÁDANÉ ZÁRUKY NEBO PODMÍNKY PRODEJNOSTI, VHDNOSTI PRO URČITÝ ÚČEL A ZÁRUKY NEPOROUČENÍ PRÁV TŘETÍCH STRAN, KTERÉ SPOLEČNOST WAPRO TIMTO VÝSLOVNĚ ODMÍTÁ, A NAHRAZUJE JAKÉKOLI A VEŠKERÉ DALŠÍ POVINNOSTI NEBO ODPOVĚDNOST NA STRANĚ SPOLEČNOSTI WAPRO. V MAXIMÁLNÍ MOŽNÉ MÍŘE POVOLENÉ PŘÍSLUŠNÝMI PRÁVNÍMI PŘEDPISY NEBUDE SPOLEČNOST WAPRO ZA ŽÁDNÝCH OKOLNOSTÍ ODPOVÍDAT KUPUJÍCÍMU ZA NEPŘÍME, NÁHODNÉ, ZVLÁŠTNÍ NEBO NÁSLEDNÉ ŠKODY (VČETNĚ JAKÉKOLI ŠKODY V DŮSLEDKU ZTRÁTY PŘÍJMU NEBO ZISKU) ANI ŠKODY JINAK VYPLYVAJÍCÍ Z NEBO VZNIKLE V SOUVISLOSTI S INSTALACÍ VENTILŮ, SOUČÁSTÍ NEBO SLUŽEB PODLE TOHOTO UJEDNÁNÍ. PŘÍPADNÉ PROVEDENÍM, POUŽITÍM, NEBO NEMOŽNOSTÍ POUŽÍT NĚKTERÝ Z VENTILŮ, SOUČÁSTÍ NEBO SLUŽEB, ANI JINAK, AŽ UŽ NA ZÁKLADĚ SMLOUVY, ZÁRUKY, DELIKTU (ZEJMÉNA NA ZÁKLADĚ NEDBALOSTI), PŘÍPADNĚ JAKÉKOLI JINÉ KONCEPCE POZITIVNÍHO NEBO PŘÍROZENÉHO PRÁVA V MAXIMÁLNÍM ROZSAHU POVOLENÉM PŘÍSLUŠNÝMI PRÁVNÍMI PŘEDPISY SE PROSTŘEDKY NÁPRAVY UVEDENÉ V TĚTO OMEZENÉ ZÁRUCE POUŽIJÍ I V PŘÍPÁDE, ŽE TYTO PROSTŘEDKY NÁPRAVY NEBUDOU PLNIT SVŮJ ZÁKLADNÍ ÚČEL. V ZÁJMU VYLouČENÍ MOCHYB SE VÝSLOVNĚ KONSTATUJE, ŽE ŽÁDNÝ ZAMĚŠTANANEC, OBCHODNÍ ANI JINÝ ZÁSTUPCE SPOLEČNOSTI WAPRO NENÍ OPRAVNĚN TUTO ZÁRUKU NIJAK ROZŠÍROVAT ANI JINAK UPRAVOVAT.

ÖNNITLEME TEID AINULAADSE PATENDITUD WASTOP®-I TORUSISESE KONTROLLKLAPI OSTU PUHUL!

WaStop-i ainulaadne konstruktsioon takistab torustikes tagasivoolu. Selle saab paigaldada mõne minutiga olemasolevatesse torudesse või kontrollkaevudesse ning see annab usaldusväärse kaitse kõrge veetaseme, prügi, gaaside, soolase vee, putukate ja väikeloomade vastu.

OHUTUS ENNEKÕIKE

Palun veenduge WaStop®-i kontrollklappi paigaldades, et kõik ettevaatusabinõud on kasutusele võetud. Wapro AB ei võta endale vastutust selle toote ebaõige paigaldamise või valesti kasutamise eest. Ebaõige paigaldamine võib põhjustada kahjustusi, vähendada klapi eluiga või rikkuda teisi toruga seotud tooteid. Palun lugege enne WaStop®-i kontrollklapi paigaldamist läbi alljärgnev teave. Kui Teil on paigaldamise kohta küsimusi, helistage palun kohalikele WaStopi edasimüüjale.

HOUSTAMINE

- WaStop®-i kontrollklappi tuleb hoida jahedas ja kuivas hea ventilatsiooniga kohas.
- Klappidesse ei tohi hoiustamise ajal otsest sisestada midagi, mis võib membraaniga kokku puutuda.
- Ärge pillake toru või membraani maha, ärge asetage neile liigset survet ja ärge neid painutage, kuna nii võivad tekkida kahjustused.
- Väiksemamõdulisi klappe tuleb hoiustada karbis, milles need Teile kätte toimetati. Suuremaid klappe tuleb hoiustada ohutus kohas, kus neile ei saa tekkida kahjustusi.
- Vältige tarbetuid kokkupuuteid valguse ja kemikaalidega.
- Hoidke kõiki WaStopi klappe püstises asendis, nii et koonuse ots on üleval. Kui see ei ole võimalik, siis toestage klapi kest, et vältida selle ovaalseks muutumist.

MÕISTED

- Voolu suund: voolu tavapärane suund.
- Olemasolev toru: olemasolev toru, kuhu sisestatakse WaStop.
- Liigendühendus: elastne ühendus, mis ühendab olemasolevat toru WaStop-iga.
- Ankurpolt: polt lisaseadise, mis laieneb, kui polt pinna sisse kruvitakse.
- Kummitihend: tihend, mis tagab, et olemasoleva toru sisemuse ja WaStop-i vahel ei ole leket.
- Vasturõhk: vedeliku rõhk, mida klapile rakendatakse. Harilikult mõõdetakse seda vedeliku jalgaades või meetrites toru põhja kohal.
- Membraan: koonusekujuline elastomeermembraan, mis on WaStop-i toru sees.
- WaStop-i toru: WaStop-i membraani ümbris (kest).

SOOVITUS

Torud soovitab tungivalt, et WaStop klapp on juurdepääsetav, et toode saaks lahti monteerida ja eemaldada ilma tootele suuremaid konstruktsioonikahjustuste või kaevetöödeta klapi ümber.

RINGLUSSEVÕTT

WaStop koosneb peamiselt keskkonnasõbralikest komponentidest. Klapi kõrvaldamisel demonteerige ja sortige komponendid ringlussevõtuks korralikult. Allpool toodud tabelis on näidatud, kuidas komponendid ringlusse võetakse.

	Roostevara teras**	PE*	PVC*	Silikon*	EDPM*	Polüuretaan*
WaStop	Klapi korpus ja kinnitused	Klapi korpus	Klapi korpus	Membraan	Membraan	Membraan

* Tuhastamine

** Metall ringlussevõtt

WAPRO AB PIIRATUD GARANTI

Wapro hüvitab iga uue Wapro klapi materjali ja/või tööluse puudused kahe (2) aasta jooksul arvates ostu dokumenteeritud kuupäevast, kui klappi on kasutatud kooskõlas Wapro juhiste ja soovitusetega ning tavalist töötingimustel. Garantii ei kata klapi kahjustusi, mille on tekitanud väline mehhaaniline jõud, nt inimeste, loomade või masinate poolne sekkumine, ning garantii ei kehti, kui klappi on pärast selle tootmist mis tahes moel muudetud või ümber tehtud. Lisaks ei kehti garantii: a) kui klapp on kahjustatud kokkupuute tõttu suure koguse keemiliste ainete, b) kui klapp on kahjustatud toru järsu tõusu ja/või klapisisese vaakumi tõttu, c) garantii on kehtetu, kui voolu kiirus ületab 2m/s WaStop < DN300 puhul, 3m/s wastop < DN500 puhul, 4m/s wastop < DN1050 ja 5m/s wastop < DN1800 puhul ning (d) kui rikkeid põhjustavad muud seadmed. Äärik on vajalik voolukiirustel üle 2m/s kõigi suuruste puhul. Garantiitteenuse nõudmiseks tuleb ostjal võtta pärast puuduste avastamist mõistliku aja jooksul ühendust WaStopi edasimüüjaga, kes talle klapi müüs. Garantiinõudesse tuleb märkida klapi seerianumber. Wapro vastustus piirub katkise klapi asendamise või parandamisega. Wapro ei võta enda kanda katkiste klappide eemaldamise või sellele järgneva asendusklappide paigaldamise kulusid. Lisaks ei võta Wapro enda kanda katkiste klappide või asendusklappide transpordikulusid. Wapro garanteerib, et parandatud või asendatud klapid on kaetud garantiaga, mis on kas algselt klapist üle jäänud garantii või 90 päeva (valitakse neist kahest pikem). ÜLALTOODUD GARANTI ASENDAB MIS TAHEH MUUD OTSESEID VÕI KAUDSEID GARANTIISID. SEALHULGAS PIIRAMATULT MIS TAHEH KAUDSEID MÜÜGIKÕBLIKKUSE, KONKREETSEKS EESMÄRGIKS SOBIVUSE JA ÕIGUST RIKKUMISE PUUDUMISE GARANTIISID VÕI TINGIMUSI, MILLEST SÕNASALGELT KEELDUTAKSE, NING SEE ASENDAB WAPRO MIS TAHEH JA KÕIKI MUUD KOHUSTUSI VÕI VASTUTUST. WAPRO EI OLE KOHALDATAVATES SEADUSTES SUURIMAS LUBATUD ULATUSES MINGIL JUHUL OSTJA EES VASTUTAV MIS TAHEH KAUDSE, JUHUSLIKU, ERI- VÕI TEGEVUSEST JOHTUVA KAHJU EEST (SEALHULGAS TULUST VÕI KASUST ILMA JÄÄMISE TÕTTU TEKKINUD KAHJU) VÕI KAHJU EEST, MIS TEKIB MUUL VIISIL KLAPPIDE, OSADE VÕI TEENUSTEGA VARUSTAMISE TÕTTU VÕI SELLEGA SEONDUVALT VÕI MIS TAHEH KLAPPIDE, OSADE VÕI TEENUSTE TOIMIMISE, KASUTAMISE VÕI KASUTAMISE VÕIMATUSE TÕTTU VÕI MUUL VIISIL KAS LEPINGU VÕI GARANTI ALUSEL VÕI LEPINGUVÄLISELT, SEALHULGAS PIIRAMATULT SEADUSE VÕI MUUDE ÕIGLASTE EESKIRJADE JÄRGIMATA JÄTMISE TÕTTU. KÄESOLEVAS PIIRATUD ULATUSES GARANTIIS SÄTESTATUD HÜVITISI RAKENDATAKSE KOHALDATAVATES SEADUSTES SUURIMAS LUBATUD ULATUSES ISEGI JUHUL, KUI NEE EI TÄIDA OMA PEAESMÄRKI. KAHTLUSTE VÄLTIMISEKS, WAPRO TÕOTAJATEL, VAHENDAJATEL EGA TEISTEL ESINDAJATEL EI OLE LUBA LAIENDADA EGA MUUL VIISIL MUUTA SIIN KIRJELDATUD GARANTIID.

GRATULUJEMY ZAKUPU UNIKATOWEGO, OPATENTOWANEGO ZAWORU ZWROTNEGO WASTOP® DO MONTAŻU W ISTNIEJĄCYCH INSTALACJACH.

Wyjątkowa konstrukcja zaworu WaStop zapobiega przepływowi wstecznemu w rurociągach. Można go zamontować w ciągu kilku minut w istniejących rurach i studzienkach. Zapewnia on niezawodną ochronę przed wysokimi poziomami wody, pływającymi resztkami, gazami, słoną wodą, owadami oraz małymi zwierzętami.

PRZED WSZYSTKIM BEZPIECZEŃSTWO

W trakcie instalacji zaworu zwrotnego WaStop należy upewnić się, że zastosowane zostały wszystkie środki ostrożności. Waprow AB nie ponosi odpowiedzialności za nieprawidłową instalację lub niewłaściwe użytkowanie tego produktu. Nieprawidłowa instalacja może spowodować obrażenia, skróci żywotność zaworu lub spowodować uszkodzenie innych połączeń z nim wyrobów rurowych. Przed instalacją zaworu zwrotnego WaStop® należy zapoznać się z poniższymi informacjami. W przypadku pytań dotyczących instalacji należy skontaktować się z lokalnym dystrybutorem WaStop.

PRZECHOWYWANIE

- Zawór zwrotny WaStop należy przechowywać w chłodnym, suchym i dobrze wentylowanym miejscu.
- Na czas przechowywania nie należy wprowadzać w żaden koniec zaworu niczego, co stykałoby się z membraną.
- Nie upuszczaj rury ani membrany, nie wywieraj na nie zbędnego nacisku ani nie skręcaj ich, ponieważ mogłyby dojść do ich uszkodzenia.
- Zawory o mniejszych wymiarach należy przechowywać w opakowaniu, w którym zostały dostarczone. Większe zawory należy przechowywać w miejscu bezpiecznym i niedostępnym dla osób postronnych.
- Unikaj zbędnej ekspozycji na działanie światła i substancji chemicznych.
- Wszystkie zawory WaStop przechowywać w położeniu pionowym, stożkiem w górę. Jeżeli okaże się to niemożliwe, upewnić się, że obudowa zaworu będzie podparta tak, aby nie przybierała kształtu owalnego.

TERMINOLOGIA

- Kierunek przepływu: normalny kierunek przepływu
- Istniejąca rura: istniejąca rura, w której umieszczony zostanie zawór WaStop.
- Złącze: elastyczne złącze łączące istniejącą rurę i zawór WaStop.
- Śruba rozporowa: śruba z elementem rozprężającym się w miarę wkręcania jej w powierzchnię.
- Gumowa uszczelka: uszczelka zapobiegająca wyciekom między wierzchem istniejącej rury a zaworem WaStop.
- Cisnienie zwrotne: ciśnienie przywrócić nad zawór. Zwykle mierzone w stopach lub metrach cieczy nad dnem rury.
- Membrana: elastomerowa membrana stożkowa wewnątrz rury WaStop.
- Rura WaStop: zewnętrzna obudowa membrany WaStop®.

ZALECENIA

Waprow zdecydowanie zaleca, aby zawór WaStop był łatwo dostępny, tak aby możliwy był jego demontaż i wyjęcie produktu bez powodowania znacznych uszkodzeń konstrukcyjnych lub konieczności kopania w obszarze otaczającym zawór.

RECYKLING

WaStop składa się głównie z elementów przyjaznych dla środowiska. Podczas utylizacji zaworu należy zdemontować i właściwie posortować części do recyklingu. Informacje o tym, jak podać komponenty recyklingowi znajdują się w tabeli poniżej.

	Stal nierdzewna**	PE*	PVC*	Silikon*	EDPM*	Poliuretan*
WaStop	Korpus zaworu i elementy złączne	Korpus zaworu	Korpus zaworu	Membrana	Membrana	Membrana

* Spalanie

** Recykling metali

OGRANICZONA GWARANCJA WAPROW AB

Firma Waprow usunie wszelkie wady materiału i/lub wykonawstwa w wszystkich nowych zaworach Waprow przez okres dwóch (2) lat od udokumentowanej daty zakupu, o ile zawór będzie używany zgodnie z instrukcją i zaleceniami firmy Waprow oraz w normalnych warunkach eksploatacyjnych. Gwarancja nie obejmuje uszkodzeń zaworu spowodowanych przez zewnętrzne siły mechaniczne, takie jak działania ludzi bądź zaburzenia spowodowane przez zwierzęta lub maszyny. Gwarancja nie obowiązuje ponadto, jeśli zawór zostanie w jakikolwiek sposób zmodyfikowany po zakończeniu produkcji. Gwarancja nie obowiązuje również: (a) jeśli zawór ulegnie uszkodzeniu z powodu narażenia na wysokie stężenia substancji chemicznych; (b) jeśli zawór ulegnie uszkodzeniu z powodu szoków ciśnienia i/lub podciśnienia w jego obrebie; (c) Gwarancja ulega unieważnieniu, jeśli prędkość przepływu przekracza 2 m/s dla WaStop < DN300, 3 m/s dla WaStop < DN500, 4 m/s dla WaStop < DN1050 i 5 m/s dla WaStop < DN1800 oraz (d) jeśli usterki są spowodowane przez inne urządzenia. Kolumnarz jest wymagany, gdy prędkość przepływu wynosi ponad 2 m/s niezależnie od rozmiaru. Wnioski o serwis gwarancyjny należy kierować do dystrybutora, u którego nabyto zawór WaStop, przed upływem rozsądnego okresu od wykrycia usterek. W przypadku roszczenia gwarancyjnego konieczne jest podawanie numeru seryjnego zaworu. Odpowiedzialność firmy Waprow ogranicza się do wymiany lub naprawy wadliwego zaworu. Firma Waprow nie pokrywa kosztów związanych z demontażem wadliwych zaworów lub późniejszą instalacją zaworów zastępczych. Firma Waprow nie pokrywa również kosztów transportu zaworów uszkodzonych lub zastępczych. Firma Waprow gwarantuje, że naprawione lub wymienione zawory będą objęte gwarancją przez pozostałą część pierwotnego okresu gwarancji lub przez 90 dni, jeśli będzie ona krótsza niż 90 dni. **POWYŻSZA GWARANCJA ZASTĘPUJE WSZELKIE POZOSTAŁE WYRAŻENIE I DOROZUMIANE GWARANCJE, W TYM MIĘDZY INNYMI WSZELKIE GWARANCJE DOROZUMIANE LUB WARUNKI JAKOŚCI HANDLOWEJ, ZDATNOŚCI DO OKREŚLONEGO ZASTOSOWANIA ORAZ NIENARUSZANIA PRAW, KTÓRE TO GWARANCJE I WARUNKI ZOSTAJĄ WYRAŹNIE WYŁĄCZONE, A PONADTO ZASTĘPUJE WSZELKIE POZOSTAŁE ZOBOWIĄZANIA FINANSOWE I NIEFINANSOWE FIRMY WAPROW, W MAKSYMALNYM ZAKRESIE DOZWOLONYM PRZEZ OBOWIĄZUJĄCE PRAWO, NIEZALEŻNIE OD OKOLICZNOŚCI FIRMA WAPROW NIE BĘDZIE PONOSIĆ WOBEC KUPUJĄCEGO ODPOWIEDZIALNOŚCI ZA JAKIEKOLWIEK SZKODY POŚREDNIE, WİTORNE, WYMIERNE LUB NASTĘPZCIE (W TYM SZKODY ZWIĄZANE Z UTRATĄ PRZYCHODÓW LUB ZYSKÓW), BĄDŹ TEŻ W INNY SPOSÓB WYNIKAJĄCE Z DOSTAWY ZAWORÓW, CZĘŚCI LUB USŁUG NA MOCY NINIEJSZEGO DOKUMENTU LUB ZWIĄZANE Z NIĄ, LUB TEŻ Z EFEKTYWNOŚCIĄ, UŻYTKOWANIEM LUB BRAKIEM MOŻLIWOŚCI UŻYTKOWANIA ZAWORÓW, CZĘŚCI LUB USŁUG, LUB TEŻ INNYMI OKOLICZNOŚCIAMI, CZY TO W REZULTACIE ODPOWIEDZIALNOŚCI UMOWNEJ, GWARANCYJNEJ, CZY DELIKTOWEJ, W TYM MIĘDZY INNYMI ZWIĄZANEJ Z NIEDBALSTWEM LUB INNĄ KONCEPCJĄ PRAWA STANOWIĄCEGO LUB PRAWA SŁUSZNOŚCI, W MAKSYMALNYM ZAKRESIE DOZWOLONYM PRZEZ PRAWO ŚRODKI NAPRAWCZE OKREŚLONE W NINIEJSZEJ OGRANICZONEJ GWARANCJI OBOWIĄZUJĄ NAWET WİCZAS, GDY NIE POZWALAJĄ OSIĄGNĄĆ SWOJEGO ZASADNICZEGO CELU. W CELU UNIKNIĘCIA WĄTPLIWOŚCI ZNACZĄCA SIĘ, ŻE ŻADEN PRACOWNIK, AGENT LUB INNY PRZEDSTAWICIEL FIRMY WAPROW NIE JEST UPRAWNIONY DO ROZSZERZANIA LUB INNEGO RODZAJU MODYFIKOWANIA GWARANCJI OKREŚLONEJ W NINIEJSZYM DOKUMENCIE.**

GRATULÁLUNK, HOGY MEGVÁSÁROLTA A WASTOP® EGYEDI SZABADALMAZÁSÚ SOROS VISSZACSAPÓ SZELEPET.

A WaStop egyedi kialakítása megakadályozza a csőhálózatokba való visszaáramlást. Percek alatt beszerelhető meglévő csővezetékbe vagy búvónyílásokba, és megbízható védelmet nyújt magas vízszintek, uszadékok, gázok, sós víz, rovarok és kisállatok ellen.

ELSŐ A BIZTONSÁG

A WaStop visszacsapó szelep beszerelésekor, kérjük, biztosítsa, hogy minden biztonsági óvintézkedés megtörténjen. A Wapro AB nem vállal felelősséget a helytelen beszerelésért vagy a termék nem megfelelő használatáért. A helytelen beszerelés okozhat sérülést, csökkentheti a szelep élettartamát, illetve károsíthatja az egyéb társított csőszerevényeket. A WaStop visszacsapó szelep beszerése előtt, kérjük, olvassa el az alábbi információkat. Ha a beszereléssel kapcsolatban bármilyen kérdése van, kérjük, hívja a WaStop viszonteladót.

TÁROLÁS

- A WaStop visszacsapó szelepet hűvös, száraz és jól szellőző helyen kell tárolni.
- A szelepeknek egyik végébe sem szabad semmit betenni, ami a tárolás során a membránhoz érne.
- A szelepet ne ejtse le, ne tegye ki túlzott nyomásnak, illetve ne csavarja meg a csövet vagy a membránt, mert megsérülhetnek.
- A kisebb méretű szelepet ne tárolja abban a dobozban, amelyben szállítottuk. A nagyobb szelepekkel olyan biztonságos helyen kell tárolni, ahol nem manipulálhatják.
- Kerülje a fénynek és vegyi anyagoknak való szükségtelen kitettséget.
- Minden WaStop szelepet függőleges helyzetben, a kúpos végével felfelé tároljon. Ha ez nem lehetséges, biztosítsa, hogy az ovalitás elkerülése érdekében a szelepház ki legyen támasztva.

FOGALOMMEGHATÁROZÁSOK

Áramlási irány:	Normál folyásirány.
Meglévő cső:	Olyan meglévő cső, amelybe a WaStop szelepet beilleszti.
Kötés:	Rugalmas kötés, amely a meglévő csövet és a WaStop szelepet összekapcsolja.
Expanziós csavar:	Olyan csavar, amely a csavar felületre való csavarásokor bővülő tartozékkal rendelkezik.
Gumitömítés:	Olyan tömítés, amely biztosítja, hogy a meglévő cső belseje és a WaStop között ne legyen szivárgás.
Ellennyomás:	A szeleppel szemben fellépő folyadéknyomás. Általában a cső ellenoldala feletti folyadék lábban vagy méterben történt mérése.
Membrán:	A WaStop cső belsejében lévő elasztomer kúpos membrán.
WaStop cső:	A WaStop membrán külső háza (tokja).

AJÁNLÁS

A Wapro határozottan ajánlja a WaStop szelep hozzáférhető módon való elhelyezését, hogy a termék leszerelése és eltávolítása komoly szerkezeti károk vagy a szelep körülírt terület felásása nélkül is elvégezhető legyen.

ÚJRAHASZNOSÍTÁS

A WaStop jellemzően környezetbarát alkotóelemekből áll. A szelep hulladékkezelésekor szerelje szét azt, és rendszerezze megfelelően az alkatrészeket az újrahasznosításhoz. Tekintse meg az alábbi táblázatot az alkotóelemek újrahasznosításával kapcsolatban.

	Rozsdamentes acél**	PE*	PVC*	Szilikon*	EDPM*	Poliuretán*
WaStop	Szeleptest és kötőelemek	Szeleptest	Szeleptest	Membrán	Membrán	Membrán

* Elégetés

** Fém-újrahasznosítás

A WAPRO AB KORLÁTOZOTT GARANCIÁJA

A Wapro bármely új Wapro szelepből kijavítja az anyagbeli és/vagy kivitelezésbeli hibákat a dokumentált vásárlástól számított két (2) éves időtartamig, amennyiben a szelep használata a Wapro utasításai és ajánlái szerint, normál üzemi körülmények mellett történt. A garancia nem terjed ki a szelep azon sérüléseire, amelyeket külső mechanikus erő okozott, mint például ember, állat vagy gép beavatkozása. A garancia továbbá nem érvényes akkor sem, ha a szelepet módosították vagy a gyártás után bármilyen módon megváltoztatták. Ezen felül a garancia nem érvényes, ha (a) a szelep vegyi anyagok magas koncentrációjának való kitettség miatt sérült meg, (b) a szelep nyomáshullámok és/vagy a szelepen belüli vákuum miatt sérült meg, (c) a garancia érvényét veszti, ha az áramlási sebesség magasabb, mint 2m/s a WaStop <DN300, 3m/s a WaStop <DN500, 4m/s a WaStop <DN1050 és 5m/s a WaStop <DN1800 esetében, illetve ha (d) a hibás működést más berendezés okozza. 2m/s feletti áramlási sebességnél mindegyik méret esetén szükséges karima használata. A garanciaszolgáltatás igényléséhez a vevőnek a hiba felfedezését követő észszerű időn belül fel kell vennie a kapcsolatot a WaStop forgalmazójával, ahol a szelepet vásárolta. Garanciaigény esetén meg kell adni a szelep gyártási számát. A Wapro felelőssége a hibás szelep cseréje vagy javítása tekintetében korlátozott. A Wapro nem vállalja a hibás szelepek leszerelését, illetve ezt követően a csereszelepek felszerelését. Továbbá a Wapro nem vállalja a sérült szelepek vagy a csereszelepek szállítási költségét. A Wapro a javított vagy kicserélt szelepek az eredeti garanciaidejének fennmaradó részére vagy 90 napra biztosít szavatosságot – a hosszabb időszak alkalmazandó.

A FENTIEKBEN LEÍRT GARANCIA BÁRMILYEN MÁS KIFEJEZETT VAGY VÉLELMEZETT GARANCIA HELYÉBE LÉP, TÖBBEK KÖZÖTT A FORGALOMKÉPESSEGRE, ADOTT CÉLRA VALÓ ALKALMASSÁG VAGY NEMLEGES MEGÁLLAPÍTÁS FELTÉTELE VAGY VÉLELMEZETT GARANCIA HELYÉBE, AMELYEK KIFEJEZETTEN ELUTASÍTUNK, TOVÁBBÁ A GARANCIA A WAPRO RÉSZÉRŐL BÁRMILYEN ÉS MINDENMÉLY EGYÉB KÖTELEZETTSÉG HELYÉBE LÉP. A VONATKOZÓ JOGSZABÁLYOK ÁLTAL MEGENGEDETT MAXIMÁLIS MÉRTÉKBEN A WAPRO SEMMILYEN KÖRÜLMÉNY KÖZÖTT SEM FELEL A VÁSÁRLÓNAK SEMMILYEN KÖZVETETT, VÉLETLEN, SPECIÁLIS VAGY KÖVETKEZMÉNYES KÁRÉRT (BELEÉRTVE AZ ELMARADT BEVÉTEL VAGY PROFIT MIATTI KÁRT) VAGY MÁS MÓDON KELETKEZETT KÁRÉRT, AMELY A SZELEPEK, ALKATRÉSZEK FELSZERELÉSÉBŐL, AZOK JAVÍTÁSÁBÓL ERED, VAGY AZOKKAL KAPCSOLATBAN KELETKEZETT, ILLETVE A SZELEPEK, ALKATRÉSZEK TELJESÍMÉNYBŐL, HASZNÁLATÁBÓL VAGY HASZNÁLATÁNAK KÉPTELENSÉGÉBŐL SZÁRMAZIK, AKÁR SZERZŐDÉSEN, GARANCIÁN VAGY JOGELLENES KÁROKOZÁSON ALAPUL, TÖBBEK KÖZÖTT GONDATLANSÁGON VAGY BÁRMILYEN MÁS JOGI VAGY EGYENÉRTÉKŰ ELMÉLTETLEN. A VONATKOZÓ JOGSZABÁLYOK ÁLTAL MEGENGEDETT MAXIMÁLIS MÉRTÉKBEN A JELEN KORLÁTOZOTT GARANCIAKÖZÖL LEFEKTEZETT JOGORVOSLATOK ÉRVÉNYESEK AKKOR IS, HA E JOGORVOSLATOK FŐ CÉLJAIKAT NEM TELJESÍTIK. A BIZONYTALANSÁG ELKERÜLÉSE VÉGETT A WAPRO SEMÉLYIK ALKALMAZOTTJA, MEGBÍZOTTJA VAGY MÁS KÉPVISELŐJE SEM JOGOSULT AZ ITT LEÍRT GARANCIÁT KITERJESZTENI VAGY MÁS MÓDON MEGVÁLTOZTATNI.

ČESTITAMO VAM NA KUPNJI JEDINSTVENO PATENTIRANOG WASTOP® LINIJSKOG NEPOVRATNOG VENTILA.

Jedinstvena konstrukcija WaStop ventila sprečava povrat u mrežnim cijevima. Ventil se može postaviti u nekoliko minuta u postojeće cijevi kao i u okna, te pouzdano štiti od visokog vodostaja, plutajućeg tereta, plinova, slane vode, kukaca i sitnih životinja.

SIGURNOST NA PRVOM MJESTU

Molimo vas da se pri instaliranju nepovratnog ventila WaStop svakako pridržavate svih mjera opreza. Wapro AB nije odgovoran za nepropisno rukovanje ili nepravilnu uporabu ovog proizvoda. Nepravilno postavljanje može izazvati ozljedu, skratiti životni vijek ventila ili oštetiti druge proizvode za spajanje cijevi. Prije postavljanja nepovratnog ventila WaStop pročitajte sljedeće informacije. U slučaju bilo kakvih dodatnih pitanja o postavljanju ventila, obratite se svom ovlaštenom lokalnom prodavaču WaStopa.

ČUVANJE

- Nepovratni ventil WaStop treba se čuvati na suhom i dobro prozračenom mjestu.
- U ventil ne smijete ništa umetati u niti jedan njegov kraj što tijekom skladištenja dodiruje membranu.
- Pazite da vam ventil ne padne, da ga ne izložite neprikladnom tlaku te ne zakrećite cijev ili membranu jer bi moglo doći do oštećenja.
- Ventil manje dimenzije treba čuvati u kutiji u kojoj je isporučen. Veći ventili trebaju se čuvati na sigurnom mjestu tako da ih se ne može pomiješati.
- Nemojte izlagati ventil nepotrebnom svjetlu i kemikalijama.
- Sve WaStop ventile držite u okomitom položaju sa stožastim krajem okrenutim prema gore. Ako to nije moguće, poduprite njegovo kućište kako ne bi došlo do ozaloga izobličenja.

TERMINOLOGIJA

Smjer protoka:	Uobičajeni smjer protoka
Postojeća cijev:	Postojeća cijev u koju se umeće WaStop.
Zglobna spojnica:	Elastična spojnica koja spaja postojeću cijev i WaStop.
Ekspanzijski vijak:	Vijak s nastavkom koji se širi kad vijak ulazi u neku površinu.
Gumena brtva:	Brtva koja sprečava istjecanje između unutarnjeg dijela postojeće cijevi i WaStop ventila.
Protutlak:	Tlak kojim tekućina djeluje na ventil. Obično se mjeri u stopama ili metrima tekućine iznad zakretanja cijevi.
Membrana:	Stožasta membrana od elastomera unutar cijevi WaStop.
Cijev WaStop:	Vanjsko kućište membrane WaStop.

PREPORUKA

Wapro snažno preporučuje da WaStop ventil bude lako dostupan, kako bi se proizvod mogao demontirati i ukloniti bez većih strukturnih oštećenja ili kopanja u području oko ventila.

RECIKLIRANJE

WaStop se prvenstveno sastoji od ekološki prihvatljivih komponenti. Prilikom zbrinjavanja ventila, rastavite i propisno razvrstajte dijelove za recikliranje. Više o načinu recikliranja komponenti potražite u donjoj tablici.

	Nehrđajući čelik**	PE*	PVC*	Silikon*	EDPM*	Poliuretan*
WaStop	Kućište i vijci ventila	Kućište ventila	Kućište ventila	Membrana	Membrana	Membrana

* Spajanje

** Recikliranje metala

OGRANIČENO JAMSTVO TVRTKE WAPRO AB

Wapro će popraviti nedostatke u materijalu i/ili izradi u svakom novom Wapro ventilu za razdoblje od dvije (2) godine od dokumentiranog datuma kupnje dok god se ventil koristi u skladu s uputama i preporukama tvrtke Wapro i pod normalnim radnim uvjetima. Jamstvo ne pokriva oštećenje ventila izazvano vanjskom mehaničkom silom, djelovanjem ljudi, životinja ili stroja, niti jamstvo vrijedi ako je ventil nakon proizvodnje na bilo koji način izmijenjen. Nadalje, jamstvo ne vrijedi (a) ako je ventil oštećen izlaganjem visokim koncentracijama kemijskih tvari, (b) ako je ventil oštećen zbog izobaja tlaka i/ili vakuma unutar ventila, (c) jamstvo neće biti valjano ako brzina strujanja prelazi 2 m/s za WaStop <DN300, 3 m/s za WaStop <DN500, 4 m/s za WaStop <DN1050 i 5 m/s za WaStop <DN1800 i (d) ako su neispravnosti uzrokovane drugom opremom. Priručnica je potrebna za brzine strujanja iznad 2 m/s u svim veličinama. Da bi zatražio jamstveni servis, kupac se treba obratiti prodavaču WaStopa kod kojeg je ventil kupio u razumnom roku nakon otkrivanja bilo kakve koege. U jamstvenom zahtjevu mora biti naveden serijski broj ventila. Odgovornost tvrtke Wapro ograničena je na zamjenu ili popravak neispravnog ventila. Wapro ne preuzima troškove uklanjanja neispravnih ventila ili naknadne ugradnje zamjenskih ventila. Nadalje, Wapro ne preuzima troškove prijevoza neispravnih ventila ili zamjenskih ventila. Wapro jamči da će popravljivi ili zamijenjeni ventili biti pokriveni barem preostalo jamstveno razdoblje izvornog ventila, to jest 90 dana.

CORNJE JAMSTVO VRIJEDI BILO KOJEJ DRUGOJ IZRIČITOJ ILI PODRAZUMIJEVANOG JAMSTVA, UKLJUČUJUĆI, A BEZ OGRANIČENJA, BILO KOJE PODRAZUMIJEVANO JAMSTVO ILI UVJETE PRODAJE, POGODNOST ZA ODREĐENU SVRHU I NEKRŠENJA KOJA SU IZRIČITO ISKLJUČENA, TE STOJI UMJESTO SVIH DRUGIH OBVEZA I ODGOVORNOSTI SA STRANE TVRTKE WAPRO. U NAJVEĆOJ MJERI DOPUŠTENOG PRIMJENJIVIM ZAKONOM, NI POD KOJIM UVJETIMA TVRTKA WAPRO NEĆE KUPCU ODGOVARATI NI ZA KOJU NEIZRAVNU, SLUČAJNU, POSEBNU ILI POSLJEDIČNU ŠTETU (UKLJUČUJUĆI BILO KAKVU ŠTETU USLIJED GUBITKA PRIHODA ILI DOBITI), ILI NA DRUGI NAČIN NASTALU IZ ILI U VEZI S DOBAVLJANJEM VENTILA, NJIHOVIH DIJELOVA ILI SERVISA, ILI PAK RADA, UPORABE ILI NEMOGUĆNOSTI UPORABE BILO KOJEJ VENTILA, NJIHOVIH DIJELOVA ILI SERVISA, ILI NA DRUGI NAČIN, BILO DA PROIZLAZI IZ UGOVORA, JAMSTVA, KRIVICE, UKLJUČUJUĆI BEZ OGRANIČENJA NEMAR ILI NEKO DRUGO PRAVNO ILI PRAVIČNO TUMAČENJE. U NAJVEĆOJ MJERI DOPUŠTENOG PRIMJENJIVIM ZAKONOM, PRAVNA SREDSTVA UTVRĐENA U OVOM OGRANIČENOM JAMSTVU PRIMJENJIVAT ĆE SE ĆAK I AKO TA PRAVNA SREDSTVA NE ISPUNE SVOJU OSNOVNU SVRHU. RADI IZBJEGAVANJA DVOJBE, NIJEDAN ZAPOSLENIK, AGENT ILI DRUGI PREDSTAVNIK TVRTKE WAPRO NIJE OVLAŠTEN PROŠIRITI ILI NA DRUGI NAČIN IZMIJENITI OVDJE NAVEDENO JAMSTVO.

يتم تصميم® Wastop المبتكر حدوث تنفّج ارتجاعي في شبكات الأنابيب. كما يمكن تركيبه خلال دقائق إما في شبكات الأنابيب الموجودة أو في فتحات أنابيب الصرف الصحي ويوفر حماية مضمونة ضد ارتفاع مستوى المياه وحماية أكيدة من العوائل الطافية على سطح الماء، ومن الغازات وأملاح المياه والحشرات والحيوانات الصغيرة.

السلامة أولاً

يُرجى التأكد من القيام بتأخذ كل احتياطات الأمان عند تركيب صمام الأمان® Wastop. لن تتحمل Wapro المسؤولية عن أخطاء التركيب أو استخدام المنتج بطرق غير سليمة. يمكن أن يؤدي تركيب المنتج بطريقة خاطئة إلى حدوث إصابات وخضض مده شتغل الصمام أو تلف منتجات تبطين الأنابيب الأخرى. يُرجى قراءة المعلومات التالية قبل تركيب صمام الأمان® Wastop. إذا كانت لديك أي أسئلة أو استفسارات عن عملية التركيب يُرجى التواصل مع وكيل® Wastop المحلي.

الحفظ والتخزين

- يجب حفظ صمام أمان® Wastop في مكان جاف بارد جيد التهوية
- يجب عدم إدخال أي أشياء في الصمامات أو عدم ملامسة أطرافها للضياء أثناء الحفظ والتخزين.
- لا ترفع الأنابيب بسطط ولا تعرضها لضغط الشدي ولا تقم بالضغط على الأنبوب أو الغشاء كي ينثني لأن ذلك قد يؤدي إلى كسره.
- يجب حفظ وتخزين الصمامات ذات الأبعاد الصغيرة في الصندوق الذي تم شراؤها به كما يجب حفظ الصمامات الكبيرة في مكان آمن كي لا يتم العبث بها.
- تجنب تعريضها للضوء والمواد الكيماوية بدون ضرورة لذلك.
- يجب حفظ وتخزين صمامات® Wastop في وضع رأسي على أن يكون الطرف المديب للمخروط لأعلى. في حالة عدم التمكن من ذلك تأكد من وجود دعائم تسند علبة الصمام لضمان عدم تكور الصمام على هيئة شكل بيضاوي.

المصطلحات

- اتجاه التنفّج: الاتجاه الطبيعي للتنفّج
- الأنابيب الموجودة التي سيتم تركيب صمامات® Wastop عليها.
- وصلات الربط المزودة: وصلة مرنة مزودة بربط بين الأنابيب الموجود وبين® Wastop.
- صامولة الفتح: عبارة عن صامولة بها جزء إضافي يتسع عند لف الصامولة على أحد الأطح.
- القاعدة المطاطية: عبارة عن قاعدة تضمن عدم حدوث تسرب بين الجزء الداخلي للأنبوب الموجود وبين صمام® Wastop.
- الضغط العكسي: عبارة عن ضغط السوائل الواقع على الأنبوب. عادة ما يتم قياسه بالقدم أو المتر للسائل الموجود أعلى الأنبوب المغلوق.
- الغشاء: عبارة عن الغشاء المخروطي المرن الموجود داخل أنبوب صمام® Wastop.
- أنبوب صمام® Wastop: عبارة عن الغلاف الخارجي (علبة) صمام® Wastop.

توصية

توصي® Wastop بشدة بأن يكون من السهل الوصول إلى صمام® Wastop، أي أنه من الممكن فك تركيب المنتج وإزالته بدون تلف كبير في الهيكل أو الحفر في المنطقة المحيطة بالصمام.

إعادة التوزيع

يتألف® Wastop في الأساس من مكونات صديقة للبيئة. عند التخلص من الصمام، قم تفكيكه وفرز الأجزاء بشكل صحيح لإعادة التوزيع. انظر الجدول أدناه لمعرفة كيفية إعادة تدوير المكونات.

Wastop	جسم الصمام والأرطبة	PE	PVC	سيليكون*	EDPM*	بولي يوريثين*
	جسم الصمام	جسم الصمام	جسم الصمام	الغشاء	الغشاء	الغشاء

** إعادة تدوير المعادن

ضمان WAPRO AB المحدود

سوف تقوم شركة Wapro بعلاج عيوب المواد و/أو التصنيع في جميع صمامات Wapro الجديدة لمدة سنتين (2) سنة من تاريخ الشراء الموثق طالما تم استخدام الصمام حسب الإرشادات التي تسمح بها شركة Wapro وفي ظروف تشغيل طبيعية. لا تشمل تغطية الضمان الضرور الواقع على الصمام بسبب استخدام قوى ميكانيكية خارجية، مثل التخلخل الذي يحدث من البسر والحيوانات أو الآلات كما يعتبر الضمان لاغياً في حالة إجراء أي تعديل أو تغيير على الصمام بعد إنتاجه. كما يعتبر الضمان لاغياً (أ) في حالة تلف الصمام بسبب تعرضه لمواد كيماوية بتركيزات مرتفعة، (ب) في حالة تلف الصمام بسبب زيادة الضغط و/أو تقرب الهواء داخل الصمام، (ج) يبطل الضمان إذا تجاوزت سرعة التنفّج 2 متر/ثانية لـ® Wastop <DN1050، 4 متر/ثانية لـ® Wastop <DN1800، و 5 متر/ثانية لـ® Wastop <DN1800، و (د) إذا نجحت الأعطال عن معدات أخرى. يلزم تركيب شفة إذا تجاوزت سرعة التنفّج 2 متر/ثانية في جميع الأحجام. لطلب خدمة الضمان، يجب على المشتري الاتصال بوكيل® Wastop الذي تم شراء الصمام منه في غضون فترة زمنية معقولة بعد اكتشاف العيب. يجب الاحتفاظ بالرقم المسلسل للضمان للحصول على الضمان بعد المطالبة به. تقتصر مسؤولية شركة Wapro على استبدال أو إصلاح الصمام المعيب. لن تتحمل شركة Wapro تكاليف فك الصمامات المعيبة من أماكن تركيبها أو تكاليف تركيب الصمامات البديلة كما لن تتحمل شركة Wapro تكاليف نقل الصمامات التالفة أو الصمامات البديلة. تتعهد Wapro بأن يغطي الضمان الصمامات التي تم إصلاحها أو استبدالها عن العمة المتبقية من ضمان الصمامات الأصلية أو لمدة 90 يوم أيهما أكبر.

يعتبر الضمان المذكور أعلاه بديلاً عن أي ضمانات أخرى، سواء صريحة أو ضمنية، بما في ذلك على سبيل المثال لا الحصر ضمانات أو ظروف بيع المنتج في الأسواق أو مناسبه لأغراض معينة وعدم مخالفتها لذلك وهو ما يتم المطالبة به صراحة، كما يعتبر بديلاً عن أي وجميع الإلزامات أو التعهدات أو المسؤوليات الأخرى من طرف WAPRO. لن تتحمل شركة WAPRO المسؤولية طبقاً للحدود التي تسمح بها القوانين السارية وتحت أي ظرف من الظروف تجاه البائع عن الأضرار غير المباشرة أو العارضة أو الطارئة أو الخاصة أو التبعية (بما في ذلك الأضرار الناجمة عن خسارة الأرباح أو المكاسب)، أو الأضرار التي تنجم عن أو ذات الصلة بتجهيز الصمامات أو أجزاءها للتركيب أو صيانتها فيما بعد، أو الناجمة عن طريقة استخدام الصمامات أو عدم القدرة على استخدام أحد الصمامات أو أجزاءها أو صيانتها أو خلافه، سواء كانت قائمة على التعاقد أو الضمان أو تحمل المسؤولية عن الضرر بما في ذلك على سبيل المثال لا الحصر الإهمال أو المسؤوليات القانونية الأخرى المماثلة المفترضة لتطبيق عمليات الإصلاح المذكورة أعلاه في هذا الضمان المحدود لأقصى مدى تسمح به القوانين السارية حتى لو لم تحقق عمليات الإصلاح أغراضها الأساسية. لتجنب إشارة الشبهات لن يُسمح لأي من موظفي أو وكلاء أو مندوبي WAPRO مد أو تعديل فترة الضمان المحددة هنا.

ברכות לרגל הקניה של השסתום האל חוזר WASTOP® המוגן בפטנט.

המבנה הייחודי של WaStop® מונע זרימה חוזרת בצנרת. ניתן להתקינו תוך דקות ספורות ביצירות או במנהלים קיימים. והדבר מעניק הגנה אמينة נגד נזם מים גבוהות, פסולת, גזים, מים מליחים, חרקים ובעלי חיים קטנים.

הבטיחות מעל לכל

כאשר מתקינים שסתום אל חוזר WaStop® יש לנקוט את כל אמצעי הזהירות בנוגע לבטיחות. חברת Wapro AB אינה נושאת בכל אחריות בגין התקנה שגויה או שימוש לא נכון במוצר זה. התקנה שגויה עלולה לגרום לפגיעה, להפחית את אורך חיי השסתום או לגרום נזק למוצרי צנרת אחרים. נא לקרוא את המידע הבא לפני ההתקנה של שסתום האל חוזר WaStop®. אם יש לך שאלות כלשהן בנוגע להתקנה, נא להתקשר למפיץ המקומי של WaStop®.

אחסון

- יש לאחסן את השסתום האל חוזר WaStop® במקום קריר, יבש ומאוורר היטב.
- בזמן האחסון אין להכניס דבר לקצוות השסתומים הנוגעים בממברנה.
- אין להפיל את המוצר, להפעיל עליו לחץ מוגזם, או לטובב את היצור או הממברנה, כי זה עלול לגרום לו נזק.
- יש לאחסן שסתומים קטנים בקופסאות המקוריות שלהם. יש לאחסן את השסתומים הגדולים יותר במקום בטוח שבו לא עלול להיגרם להם נזק.
- יש להימנע מחשיפה שלא לצורך לאור ולכימיקלים.
- יש לאחסן את כל מוצרי WaStops במצב אנכי כאשר קצה הקונוס פונה כלפי מעלה. אם הדבר לא מתאפשר יש לוודא שביט השסתום ממוקם עם תמיכה כדי להבטיח שהמוצר לא יתעקם.

מונחים

- כיוון הזרימה: הכיוון הרגיל של הזרימה
- צינור קיים אליו יכנס WaStop®: צינור קיים אליו יכנס WaStop®.
- מחבר חוליות: מחבר גמיש לחיבור היצור הקיים עם ה-WaStop®.
- בורג הרחבה: בורג עם חלק המחבר אליו המתרחב כאשר מברגים את הבורג לתוך פני השטח.
- אסם גומי: אסם המוודא שלא תהיה דליפה בין החלק הפנימי של היצור הקיים לבין ה-WaStop®.
- לחץ אחורי: לחץ הנחלים המופעל נגד השסתום. לרוב נמדד במספר המטרים של מוזלים שמעל לחלק ההפוך של היצור.
- ממברנה: ממברנת הגומי בצורת קונוס שבתוך צינור ה-WaStop®.
- צינור WaStop®: המעטפת החיצונית של ממברנת ה-WaStop®.

המלצה

ואפורו (Wapro) ממליצה בחום על שסתום ה-WaStop הנגיש, שניתן לבטל את ההתקנה ולהסיר את המוצר ללא נזק מבני או חפירה באזור שמסביב לשסתום.

מיחזור

שסתום WaStop מורכב בעיקר מרכיבים ידידותיים לסביבה. בעת השלכת השסתום, יש לפרק ולמיין כראוי את החלקים למחזור. עיין בטבלה שלהלן על מנת לבחון כיצד למחזר את הרכיבים.

פוליאוריתן*	*EDPM	סיליקון*	*PVC	*PE	נירוסטה**	WaStop
קרום	קרום	קרום	גוף השסתום	גוף השסתום	גוף שסתום ומגופים	

* לרשימה
** מיחזור מתכת

כתב אחריות מוגבלת של WAPRO AB

חברת Wapro תתקן פגמי חומרים ו/או ייצור בכל שסתום Wapro חדש במהלך שנתיים (2) מתאריך הרכישה המתועד בתנאי שנעשה בשסתום שימוש בהתאם להוראות ולהלצות של חברת Wapro ובתנאי שימוש רגילים. האחריות אינה מכסה נזק לשסתום שנגרם על ידי כוחות מכניים חיצוניים, כגון נזק שנגרם על ידי אנשים, חיות או בעלי חיים, כמו כן האחריות לא תחול במקרה שהשסתום שונה או עבר שינוי כלשהו בדרך כלשהי לאחר ייצורו. כמו כן, האחריות לא תהיה בתוקף (א) אם השסתום ניזוק בגלל חשיפה לריכוזים גבוהים של חומרים כימיים, (ב) אם השסתום ניזוק בגלל פתאומי ו/או יצירת ואקום בתוך השסתום, (ג) האחריות תפקע אם מהירות הזרימה חורגת מ m/s 2 עבור WaStop ודרש m/s 3 עבור מריחת זרימה מעל m/s 2 בכל הגדלים. להזמנת שירות במסגרת האחריות יש ליצור קשר עם הספק של WaStop שאצלו נרכש השסתום תוך פרק זמן סביר לאחר גילוי פגם כלשהו. יש למסור את המספר היסודי של השסתום במקרה של תביעת אחריות. חברת Wapro מוגבלת להחליפה או לתיקון של השסתום הפגום. חברת Wapro לא תישא בעלויות שייגרמו בגין הסרה של שסתומים פגומים או התקנה לאחר מכן של שסתומים חלופיים. כמו כן, חברת Wapro לא תישא בעלויות המשלוח של שסתומים שניזוקו או של שסתומים חלופיים. חברת Wapro נושאת באחריות על שסתומים מתוקנים או מוחלפים למשך יתרת תקופת האחריות על השסתום המקורי או למשך 90 יום. האחריות המפורטת לעיל תבוא במקום כל אחריות אחרת, בין במפורש או במרומז, כולל, בלי הגבלה, אחריות מרומזת כלשהי, או תנאי שחירות, התאמה למטרה מסוימת ואי-הפרת זכויות שחל עליהן ויתור מפורש, והיא באה במקום להתייבות או חבות אחרת מצידה של חברת WAPRO. במידה המותרת על פי החוק התקף, חברת WAPRO לא תישא בשום מצב בחבות כלפי הקונה בגין כל נזק עקיף, מקרי, מיוחד או תוצאתי (כולל כל נזק בגין אבדן הכנסה או רווח), או באופן אחר הקשור או הנובע מאספקת שסתומים, חלקים או שירות כאמור, או בגין ביצועים, שימוש או אי יכולת להשתמש בשסתומים, בחלקים או בשירותים כלשהם, או באופן אחר, בלא הבדל אם הדבר מתבסס על תאוריה משפטית או מקבילה הנוגעת לחוזים. לאחריות או לתיקון, כולל ובלא הגבלה לרשלנות. במידה המרבית המותרת על פי החוק הנוהג, השיפויים המפורטים בכתב אחריות מוגבלת זה יחולו גם אם שיפויים כאלה לא יעמדו במטרתם המהותית. למען הסר ספק, אף עובד, סוכן או נציג אחר של חברת WAPRO אינו מורשה להאריך או לשנות באופן אחר את כתב האחריות המפורט באת.

SVEIKINAME ĮSIGIJUS UNIKALŲ PATENTUOTĄ „WASTOP®“ LINIJINĮ ATBULINĮ VOŽTUVĄ.

Unikali „WaStop®“ konstrukcija apsaugo nuo atgalinio srauto vamzdynuose. Jį galima per kelias minutes sumontuoti esamuose vamzdžiuose ar liukuose ir jis patikimai saugo nuo aukšto vandens lygio, vandenyje esančių atliekų, dujų, druskingo vandens, vabzdžių ir mažų gyvūnų.

SVARBIAUSIA - SAUGA

Montuodami „WaStop®“ atbulinį vožtuvą būtinai imkitės visų reikiamų atsargumo priemonių. „Wapro“ AB neprisiima atsakomybės už netinkamą gaminio montavimą ar naudojimą. Netinkamai montuojant kyla pavojus susižeisti, sumažėja vožtuvo eksploatacijos laikotarpis arba galima sugadinti kitus vamzdžio komponentus. Prieš montuodami „WaStop®“ atbulinį vožtuvą perskaitykite toliau pateiktą informaciją. Jei turite klausimų apie montavimą, kreipkitės į vietinį „WaStop“ pardavėją.

LAIKYMAS

- „WaStop®“ atbulinį vožtuvą reikia laikyti vėsioje, sausoje ir gerai ventiliuojamoje vietoje.
- Sandėliavimo laikotarpiu negalima nieko įstatyti nė į vieną vožtuvo galą, kad niekas neliestų membranos.
- Nenumeskite, saugokite nuo per didelio slėgio ir nesukite vamzdžio ar membranos, nes tai gali juos sugadinti.
- Mažesnių matmenų vožtuvus reikia laikyti dėžėje, kurioje jie buvo pristatyti. Didesnius vožtuvus laikykite saugioje vietoje, kurioje jie negalės būti neleistinai modifikuojami.
- Venkite nereikalingo sviesos ir cheminių medžiagų poveikio.
- Visus „WaStop®“ vožtuvus laikykite vertikaliai, kūgliu į viršų. Jei tai neįmanoma, būtinai paremkite vožtuvo korpusą, kad jo forma nepakistų į ovalią.

TERMINAI

Srauto kryptis:	įprasta srauto kryptis
Esamas vamzdis:	esamas vamzdis, į kurį bus įstatomas „WaStop®“.
Sujungimo mova:	lanksčioji mova, jungianti esamą vamzdį su „WaStop®“.
Išsiplėčiantis varžtas:	varžtas su priedu, kuris išsiplėčia varžtui įsiremęs į paviršį.
Guminis sandariklis:	sandariklis, apsaugantis nuo nuotėkio tarp esamo vamzdžio vidinės dalies ir „WaStop®“.
Atgalinis slėgis:	vožtuvą veikiantis skysčio slėgis. Paprastai matuojamas skysčio virš vamzdžio apačios pėdomis ar metrais.
Membrana:	elastomerinė kūginė membrana „WaStop®“ vamzdžio viduje.
„WaStop®“ vamzdis:	išorinis „WaStop®“ membranos gaubtas (korpusas).

REKOMENDACIJA

„Wapro“ primygtinai rekomenduoja įrengti „WaStop“ vožtuvą prieinamoje vietoje, kad gaminį būtų galima išmontuoti ir pašalinti rimtai nepažeidus konstrukcijos arba neįsmontavus daugybės kitų aplink vožtuvą sumontuotų elementų.

PERDIRBIMAS

„WaStop“ pagamintas daugiausiai iš aplinkai nekenksmingų komponentų. Šalindami vožtuvą, dalis išmontuokite ir tinkamai surūšiukite perdirbti. Norėdami sužinoti, kaip komponentus reikia perdirbti, žr. toliau pateiktą lentelę.

	Nerūdijantis plienas**	PE*	PVC*	Silikonas*	EDPM*	Poliuretanas*
WaStop	Vožtuvo korpusas ir tvirtinimo elementai	Vožtuvo korpusas	Vožtuvo korpusas	Membrana	Membrana	Membrana

* Sudėginti
** Perdirbti kaip metalą

„WAPRO AB“ RIBOTOJI GARANTIJA

„Wapro“ šalinis bet kokio naujo „Wapro“ vožtuvo medžiagos ir (arba) darbo defektus dvejus (2) metus nuo dokumentuose nurodytus įsigijimo datos, jei vožtuvus buvo naudojamas pagal „Wapro“ instrukcijas ir rekomendacijas bei įprastomis naudojimo sąlygomis. Garantiya netaikoma žalai, kurią vožtuvui padarė išorinės mechaninės jėgos, pavyzdžiui, žmonių, gyvūnų ar mašinų veiksmai, be to, ši garantija negalioja, jei pagamintas vožtuvas buvo modifikuotas ar kaip nors pakeistas. Be to, garantija negalioja, (a) jei vožtuvui pakenkė didelės koncentracijos cheminių medžiagų poveikis, (b) jei vožtuvui pakenkė slėgio plūpsniai ir (arba) vožtuve susidarė vakuumas, (c) garantija negalioja, jei „WaStop < DN300“ srauto greitis viršija 2 m/s, „WaStop < DN500“ – 3 m/s, „WaStop < DN1050“ – 4 m/s, o „WaStop < DN1800“ – 5m/s ir (d) tuo atveju, jei triktis sukelia kita įranga. Kai bet kurio dydžio vožtuvo srauto greitis yra didesnis nei 2 m/s, reikia naudoti jungę. Norėdamas prašyti garantinės priežiūros, perkejas per protinę laiką nuo trūkumų aptikimo turi kreiptis į „WaStop“ pardavėją, iš kurio įsigijo vožtuvą. Teikiant garantinę pretenziją reikia nurodyti vožtuvo serijos numerį. „Wapro“ atsakomybė apribota netinkamo vožtuvo pakeitimu arba remontu. „Wapro“ nedengia netinkamų vožtuvų išmontavimo arba pakaitinių vožtuvų montavimo išlaidų. Be to, „Wapro“ nedengia sugadintų vožtuvų arba pakaitinių vožtuvų transportavimo išlaidų. „Wapro“ garantuoja, kad suremontuotiems arba pakeistiems vožtuvams bus taikoma garantija, lygi likusiam pradinio vožtuvo garantijos laikui arba 90 dienų, žiūrint, kuris laikotarpis ilgesnis.

PIRMAJU APRAŠYTA GARANTIJA PAKEIČIA BET KOKIAS KITAS IŠREIKŠTAS AR NUMANOMAS GARANTIJAS, ĮSKAITANT (BET TUO NEAPSIRIBOJANT) BET KOKIAS NUMANOMAS KOMERCINIO NAUDOJIMO, TINKAMUMO KONKREČIAM TIKSLUI AR PAŽEIDIMŲ NEBUVIMO GARANTIJAS AR SĄLYGAS, KURIOS TIESIOGIAI ATMETAMOS; ŠI GARANTIJA TAIP PAT PAKEIČIA VISUS IR BET KOKIUS KITUS „WAPRO“ ĮSIPAREIGOJIMUS AR ATSAKOMYBĘ. DIDŽIAUSIJA TAIKOMOSIJS ĮSTATYMUOSE LEIDŽIAMU MASTU „WAPRO“ JOKIOMIS APLINKYBĖMIS NEBUS ATSAKINGA PIRKĖJUI UŽ JOKIĄ NETIESIOGINĘ, NENUMATYTA, SPECIALIŲJŲ AR ŠALUTINĖJŲ ŽALŲ (ĮSKAITANT BET KOKIĄ ŽALĄ DĖL PAJAMŲ AR PELNO PRARADIMO) ARBA KITOJIĄ ŽALĄ, KILUSIĄ TIEKIANČIU VOŽTUVU, JŲ DALIS AR PASLAUGAS PAČAL ŠI DOKUMENTŲ ARBA DĖL BET KOKIŲ VOŽTUVŲ, JŲ DALIŲ AR PASLAUGŲ VEIKIMO, NAUDOJIMO AR NEGALĖJIMO NAUDOTI, ARBA DĖL KITŲ PRIEŽASČIŲ PAČAL SUTARTI, GARANTIJĄ, CIVILINĖS TEISĖS PAŽEIDIMĄ, ĮSKAITANT (BET TUO NEAPSIRIBOJANT) APLAUDIMĄ AR BET KOKIĄ KITĄ TEISĖS ARBA TEISINGUMO TEORIJĄ. DIDŽIAUSIJA TAIKOMOSIJS ĮSTATYMUOSE LEIDŽIAMU MASTU ŠIOJE RIBOTOJOJE GARANTIJOJE NURODYDYS TEISIŲ GYNIMO PRIEMONĖS TAIKOMOS NET JEI TOKIOS TEISIŲ GYNIMO PRIEMONĖS NEPADEDA PASIEKTI PAGRINDINIO JŲ TIKSLŲ. VYGIANT ABEJONIŲ, JOKS „WAPRO“ DARBUOTOJAS, AGENTAS AR KITAS ATSTOVAS NĖRA ĮGALIOJAS IŠPLĖSTI ARBA KITAIP KEISTI ŠIAME DOKUMENTE NURODYTĄ GARANTIJĄ.

LATVIEŠU VALODA

APSVEICAM JŪS AR UNIKĀLĀ, PATENTĒTĀ WASTOP® PLŪSMAS KONTROLES VĀRSTA IEGĀDI.

WaStop unikālā konstrukcija novērš pretplūsmu cauruļvadu tīklos. To var uzstādīt pāris minūšu laikā gan esošajās caurulēs, gan lūkās, un tas sniedz uzticamu aizsardzību pret augstu ūdens līmeni, peldošiem priekšmetiem, gāzēm, sālsūdeni, insektiem un nelieliem dzīvniekiem.

DROŠĪBA PIRMAJĀ VIETĀ

Uzstādot WaStop kontroles vārstu, lūdzu, nodrošiniet, ka tiek ievēroti visi drošības pasākumi. Wapro AB neuzņemas atbildību par nepareizu uzstādīšanu vai neatbilstošu izstrādājuma lietošanu. Nepareiza uzstādīšana var izraisīt ievainojumus, samazināt vārsta darbības laiku vai sabojāt citus cauruļvadu pieslēguma elementus. Lūdzu izlasiet zemāk norādīto informāciju pirms WaStop kontroles vārsta uzstādīšanas. Ja Jums rodas kādi jautājumi par uzstādīšanu, sazinieties ar savu vietējo WaStop pārdevēju.

UZGLABĀŠANA

- The WaStop kontroles vārsts ir jāuzglabā vēsā, sausā vietā ar labu ventilāciju.
- Uzglabāšanas laikā nevienā no vārsta galiem nedrīkst būt ievietoti priekšmeti, kas pieskaras membrānai.
- Nenometiet, nepakļaujiet nevajadzīgam spiedienam vai nesalieciēt cauruli vai membrānu, jo var rasties bojājumi.
- Mazāku izmēru vārstu jāuzglabā kastē, kurā tas tika piegādāts. Lielākus vārstus jāuzglabā drošā vietā, kur tos nevar nejausi sabojāt.
- Novērsiet nevajadzīgu pakļaušanu gaismas vai ķīmikāliju iedarbībai.
- Uzglabājiet visus WaStop vārstus vertikālā stāvoklī ar konusa formas galu augšup. Ja tas nav iespējams, nodrošiniet atbalstu vārsta korpusam, lai novērstu iespējamo ovālo deformāciju.

TERMIŅOLOĢIJA

- Plūsmas virziens: Normālais plūsmas virziens
Esošā caurule: Esošā caurule, kurā tiks ievietots WaStop.
Savienojuma uzvaza: Lokans savienojums, kas savieno esošo cauruli ar WaStop.
Izplešanas skrūve: Skrūve ar pielāgojumu, kas izplešas, skrūvi ieskrūvējot vīrsnā.
Gumijas blīve: Blīve, kas novērš noplūdes starp esošās caurules iekšējo sienu un WaStop.
Pretspiediens: Šķidrums spiediens, kas iedarbojas uz vārstu. Parasti tiek mērīts šķidruma pēdas vai metros virs caurules iekšsienas apakšējā punkta.
Membrāna: Elastomēra koniska membrāna WaStop caurules iekšienē.
WaStop caurule: WaStop membrānas ārējais apvalks (korpusa).

IETEIKUMS

Wapro stingri iesaka nodrošināt WaStop vārsta pieejamību, lai to var atvienot un noņemt bez būtiskiem strukturāliem bojājumiem vai rakšanas darbiem vārsta tuvumā.

PĀRSTRĀDE

WaStop galvenokārt sastāv no videi draudzīgiem komponentiem. Kad utilizējat vārstu, izjauciet to un pienācīgi sadaliet tā detaļas pārstrādei. Sk. tabulu par to, kā detaļas ir jāpārstrāda.

	Nerūsejošais tērauds**	Pentaeritritols*	Polivinilhlorīds*	Silikons*	Etilēna-propilēna kaučuks**	Poliuretāns*
WaStop	Vārsta korpusa un stiprinājumi	Vārsta korpusa	Vārsta korpusa	Membrāna	Membrāna	Membrāna

* Var dedzināt

** Metāllūznu pārstrāde

WAPRO AB IEROBEŽOTĀ GARANTĪJA

Wapro novērš materiālu un/vai ražošanas defektus jebkurā jaunā Wapro vārstā divu (2) gadu laikā no dokumentētā pirkuma datuma, ja vien vārsts ir ticis lietots saskaņā ar Wapro norādēm un ieteikumiem, normālos lietošanas apstākļos. Garantija nesedz bojājumus vārstiem, ko radījuši tādi ārēji mehāniski spēki, kā cilvēku, dzīvnieku vai mašīnu ietekme, garantija nav spēkā arī ja vārsts ir jebkādi pārveidots vai izmainīts pēc ražošanas. Turklāt, garantija nav spēkā (a) ja vārsts ir bojāts, jo bijis pakļauts augstas koncentrācijas ķīmisku vielu iedarbībai, (b) ja vārsta bojājumi radušies no straujām spiediena izmaiņām un/vai vakuuma vārstā, (c) garantija nav spēkā, ja plūsmas ātrums pārsniedz 2m/s ar WaStop <DN300, 3m/s ar WaStop <DN500, 4m/s ar WaStop <DN1050 un 5m/s ar WaStop <DN1800, un (d) ja darbības traucējums rada citas iekārtas. Atļots ir nepieciešams plūsmas ātrumam virs 2m/s visiem izmēriem. Lai pieprasītu garantijas servisu, pircējam saprātīgā laikā pēc jebkādu defektu atklāšanas ir jāsazinās ar WaStop izplatītāju, pie kura vārsts tika iegādāts. Garantijas sūdzības gadījumā jāpaziņo vārsta sērijas numurs. Wapro atbildība ir ierobežota ar bojātā vārsta nomainu vai remontu. Wapro neuzņemas izmaksas, kas radušās saistībā ar bojāto vārstu noņemšanu un segu nomainīto vārstu uzstādīšanu. Turklāt, Wapro neuzņemas izmaksas par bojāto vārstu vai nomaināmo vārstu transportēšanu. Wapro nodrošina garantijas segumu remontētajiem vai nomainītajiem vārstiem uz ilgāko termiņu - līdz oriģinālā vārsta garantijas beigām vai uz 90 dienām.

IEPRIEKŠĀ IZTEIKTĀ GARANTĪJA AIZSTĀJ JEBKURAS CITAS IZTEIKTĀS VAI IZRIETOŠĀS GARANTĪJAS, BEZ IEROBEŽOJUMIEM TOSTARP JEBKĀDAS IZRIETOŠĀS GARANTĪJAS VAI NOSACĪJUMUS PAR PIEMĒROTĪBU PĀRDOŠANAI, PIEMĒROTĪBU KONKRĒTĀJAM MĒRĶIM UN IZTEIKTO ATTEIKUMU NEPĀRKĀPŠANU, UN AIZSTĀJ JEBKĀDAS UN VISAS CITAS SAISTĪBAS UN ATBILDĪBU NO WAPRO PUŠES. CIKTĀL TO ATĻĀUJ ATTIECĪGIE NORMATĪVIE AKTI, WAPRO NEKĀDĀ GADĪJUMĀ NAV ATBILDĪGS PIRCĒJA PRIEKŠĀ PAR JEBKĀDIEM NĒTIEŠIEM, NEJAUŠIEM, IPAŠIEM VAI IZRIETOŠIEM BOJĀJUMIEM (TOSTARP JEBKĀDAS KOMPENSĀCIJAS PAR IENĒMUMU VAI PEĻNAS ZAUDĒJUMIEM), VAI CITĀDI IZRIETOŠIEM VAI SAISTĪTIEM AR VĀRSTU VAI TO DAĻU UZSTĀDĪŠANU UN IEPRIEKŠĀ MINĒTO PAKALPOJUMU VEIKŠANU, VAI VĀRSTU, DETALJU VAI PAKALPOJUMU DARBĪBU, LIETOŠANU VAI NESPĒJU IZMANTOT, VAI CITĀDI UZ LĪGUMA, GARANTĪJAS VAI LĪKUMPĀRKĀPUMA BALSTĪTU, IESKAITOT BEZ JEBKĀDIEM IEROBEŽOJUMIEM, NOLAIDĪBU VAI JEBKĀDU CITU JURIDISKU VAI TAISNĪBAS TEORIJU. CIKTĀL TO ATĻĀUJ ATTIECĪGIE NORMATĪVIE AKTI, ŠĀJĀ IEROBEŽOTĀJĀ GARANTĪJĀ NOTEIKTIE RISINĀJUMI IR JĀPIEMĒRO, PAT JA TIE NEPILDA TO BŪTISKO NOZĪMI. LAI IZVAIRĪTOS NO PĀRPRATUMIEM, NEVIENS DARBINIEKS, AĢENTS VAI CITS WAPRO PĀRSTĀVIS NAV PILNVAROTS PAGARINĀT VAI KĀDĀ CITĀ VEIDĀ MAINĪT ŠĒIT APRAKSTĪTO GARANTĪJU.



HOLDING BACK THE FLOOD

Wapro solutions protect against stormwater and backflow flooding
Protecting people and property

Wapro AB
Munkahusvägen 103
SE-374 31 Karlshamn, Sweden
Tel: +46 454 185 10
Email: wapro@wapro.com

wapro.com