

## WaGate Flap Valve

KVF NPS 8"-24"  
With wall flange

### Use

Used as flood protection and emergency shutdown.  
For mounting on outlet pipes in ducting or from pump station, For stormwater and wastewater.

- For mounting against a flat surface
- Can be fitted below the water surface
- The flap valve has a 15 degree inclination
- Corrosion-proof materials
- UV-resistant

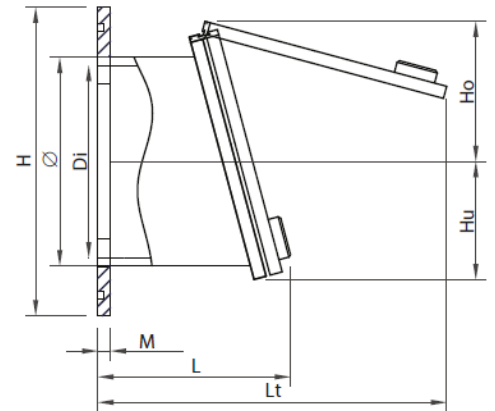
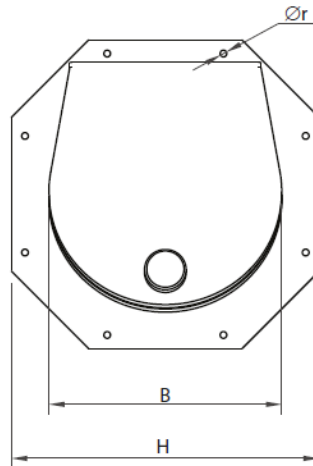


### Material

Valve pipe: PE 100  
Flap: PEHD UV-resistant  
Hinge: EP 400/3-3+1,5 LD rubber seal  
Against flap: EPDM  
Steel: EN 1.4404  
Wall flange: PEHD

### Technical data

Waterproof for one-sided water pressure  
Max pressure: 0,5 psi  
Temperature: -50°C - +80°C



### Dimensions [in] and weight [lbs]

NPS	Ø	H	Di	B	M	L	Lt	Ør	Weight	Pipe type
8	8	14,6	7,3	8,9	1,2	10,2	15,8	8xØ11	8,8	SDR 26
10	10	17,3	9,1	10,8	1,2	11,8	18,9	8xØ13	13,2	SDR 26
12	12	20,5	11,4	13,6	1,2	15,6	25	8xØ13	24,3	SDR 26
16	16	25,2	14,5	17,7	1,2	16,5	28,7	8xØ16	41,9	SDR 26
18	18	27,6	16,4	20,1	1,2	17,3	31,1	8xØ16	63,9	SDR 26
20	20	29,1	18,2	22	1,2	18,3	33,1	8xØ16	92,6	SDR 26
22	22	30,3	20,4	24	1,2	19,9	35	8xØ16	99,2	SDR 26
24	24	35,8	22,9	28	1,2	21,1	37,6	8xØ16	116,8	SDR 26