

## WaGate Gate Valve

SVM-TG NPS 28" - 48"  
Sealed for one-sided pressure

### Use

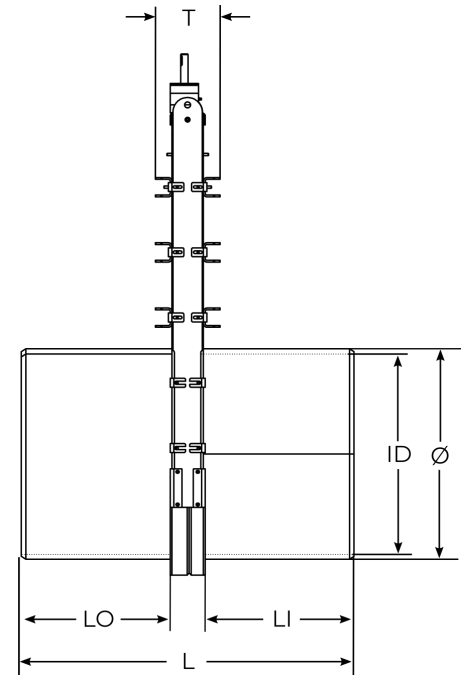
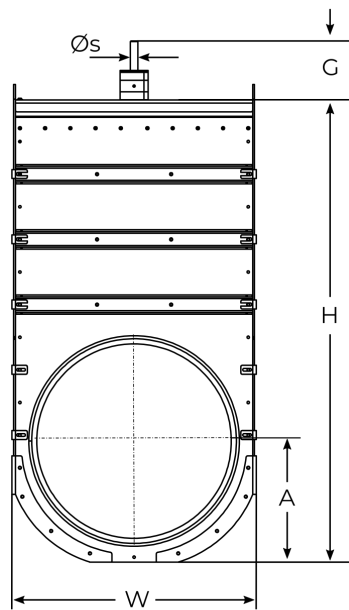
Used for regulating or shutting off the flow of stormwater, wastewater, process water and sludge.

- Full bore and with self-cleansing pocket to ensure complete closure of the valve blade
- Corrosion-resistant materials giving long service life and peace of mind
- Easy installation, mounted using sleeves, adapters, flanges or welded sleeves
- Non-rising spindle
- Operated manually by hand wheel. Available with electric, pneumatic or hydraulic actuators



### Material

Valve body: PEHD 500  
Valve blade: Steel EN 1.4301, (EN 1.4404), (EN 1.4462)  
Spindle: EN 1.4462  
Spindle nut: Zinc-free bronze  
Valve gasket: EPDM (VITON)  
Top gasket: EPDM  
Bearing: Nylon  
Sealing ring: NBR



### Dimensions [in] and weight [lbs]

NPS	Ø	ID	W	H	A	G	Øs	L	LO	LI	T	Weight	psi	Pipe
28	27.56	25.81	31.97	61.34	16.06	9.84	0.98	44.17	21.89	22.28	8.58	448	14.5	SDR26
32	31.5	29.09	35.91	69.61	18.9	9.84	0.98	49.06	24.33	24.72	8.19	582	14.5	SDR26
36	35.43	32.72	39.84	76.69	20.47	9.84	0.98	53.86	26.69	27.17	8.11	752	14.5	SDR26
40	39.37	36.36	43.78	85.55	23.62	9.84	1.18	59.45	29.45	30	9.06	1257	7.5	SDR26
48	47.24	43.63	51.65	100.35	27.56	9.84	1.18	67.24	33.39	33.86	9.84	1519	7.5	SDR26