

WAGATE®

WaGate Gate Valve

SVM-TG NPS 4" - 24"

Sealed for one-sided pressure

Use

Used for regulating or shutting off the flow of stormwater, wastewater, process water and sludge.

Full bore and with self-cleansing pocket to ensure complete closure of the valve blade

- Corrosion-resistant materials giving long service life and peace of mind
- Easy installation, mounted using sleeves, adapters, flanges or welded sleeves
- Non-rising spindle
- Operated manually by hand wheel. Available with electric, pneumatic or hydraulic actuators

Material

Valve body: PEHD 500

Valve blade: Steel EN 1.4301, (EN 1.4404), (EN 1.4462)

Spindle: EN 1.4462

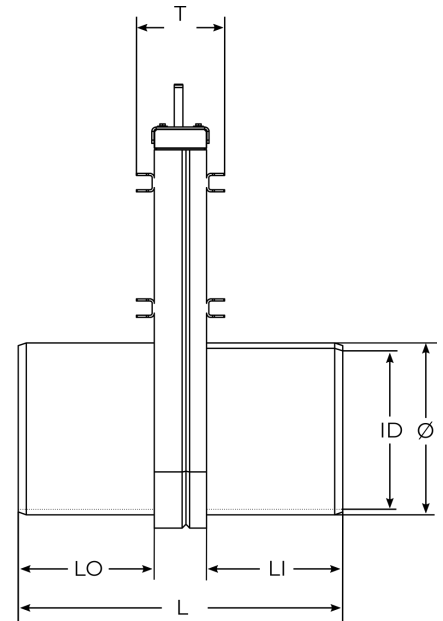
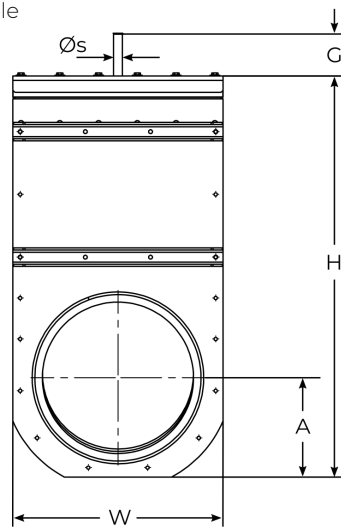
Spindle nut: Zinc-free bronze

Valve gasket: EPDM (VITON)

Top gasket: EPDM

Bearing: Nylon

Sealing ring: NBR



Dimensions [in] and weight [lbs]

NPS	Ø	ID	W	H	A	G	Øs	L	LO	LI	T	Weight	psi	Pipe
4	4.33	3.81	8.11	15.04	3.86	9.84	0.63	14.8	7	7.8	6.38	22	58	SDR17
5	4.92	4.34	8.66	16.3	4.33	9.84	0.63	14.8	7	7.8	6.38	24	58	SDR17
6	6.3	5.55	9.84	18.90	4.8	9.84	0.63	15.6	7.4	8.19	6.38	31	58	SDR17
8	7.87	6.94	11.22	21.22	5.45	9.84	0.63	15.6	7.4	8.19	6.38	42	58	SDR17
10	9.84	8.68	12.99	25.04	6.22	9.84	0.63	23.46	11.34	12.13	6.38	57	58	SDR17
12	12.4	10.93	15.2	28.94	7.17	9.84	0.63	23.46	11.34	12.13	6.38	82	58	SDR17
16	15.75	14.54	19.13	36.42	8.98	9.84	0.71	31.33	15.28	16.06	6.46	123	29	SDR23
18	17.72	16.36	21.46	40.55	10.2	9.84	0.71	31.33	15.28	16.06	6.46	148	29	SDR23
20	19.69	18.18	23.43	42.8	12.99	9.84	0.71	31.33	15.47	15.87	8.58	196	29	SDR23
22	22.05	20.36	24.8	49.45	33.0	9.84	0.71	39.21	19.41	19.8	8.98	322	29	SDR23
24	24.8	22.91	28.31	53.15	13.46	9.84	0.98	39.61	19.61	20	8.98	326	29	SDR23

Other dimensions on request.
Reserves the right to changes.

150 North Michigan Ave
Chicago IL 60601
+1 888-927-8677

