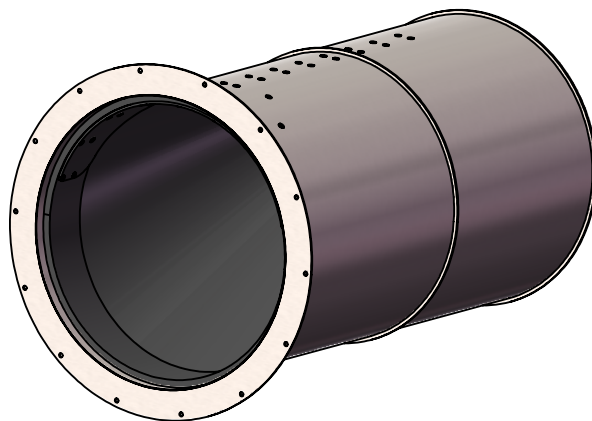
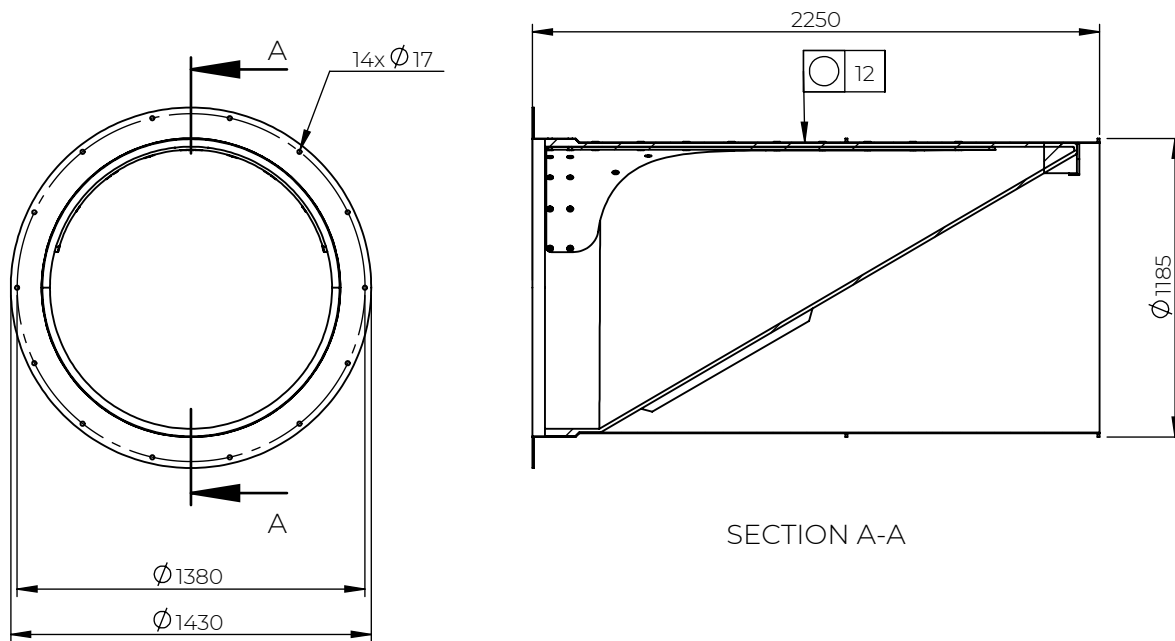


Rev	Note	CreatedBy	Appr.By	Appr.Date
A	Initial release	AE	PW	2019-01-10



© 2018 Wapro AB. This document is subject to copyrights owned by Wapro AB. Any amendments, republication, retransmission, and/or reproduction of all or any part of the document is expressly prohibited, unless the copyright owner of the material has expressly granted its prior written consent. All other rights are reserved.

Designed By AE	Approved By PW	Created Date 2019-01-10	Units [mm]	General Tolerance ISO 13920A	Scale 1:30			
Material EN 1.4301 / EN 1.4404			Comments		Project			
Weight [kg] 390	Box Volume [m³] 3,2	Description WaStop DN1200						
 www.wapro.com		Flange			Article Number WS1185-S-FL	Drawing Number ws1185-s-fl-en	Rev A	Sheet 1 (1)