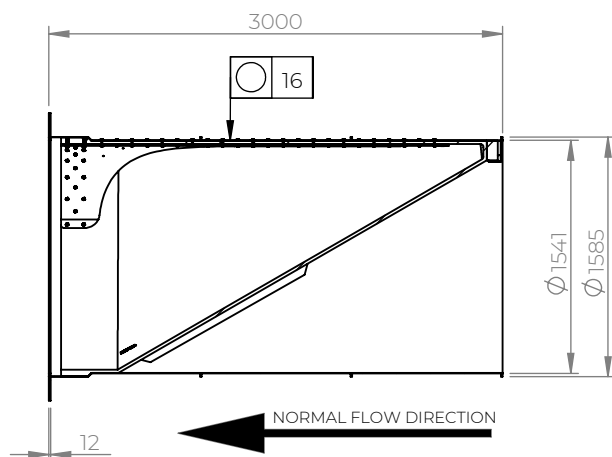
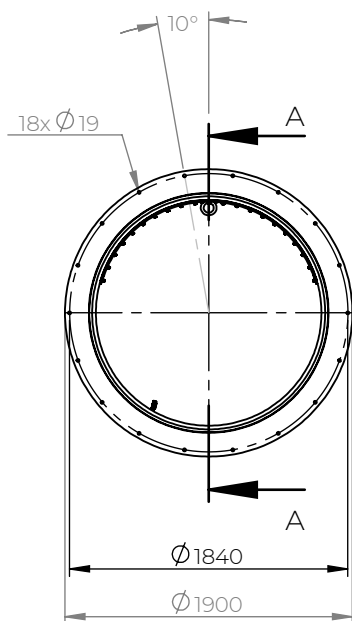
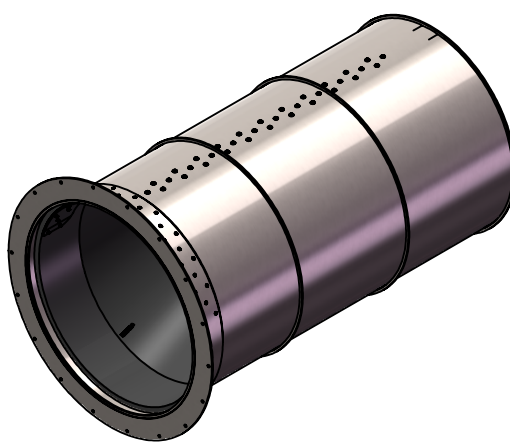


Rev	Note	CreatedBy	Appr.By	Appr.Date
A	Initial release		FG	2020-05-27



A-A



© 2018 Wapro AB. This document is subject to copyrights owned by Wapro AB. Any amendments, republication, retransmission, and/or reproduction of all or any part of the document is expressly prohibited, unless the copyright owner of the material has expressly granted its prior written consent. All other rights are reserved.

Designed By PW	Approved By FG	Created Date 2020-05-26	Units [mm]	General Tolerance SS-ISO 2768-1 c	Scale 1:50			
Material EN 1.4301 / EN 1.4404			Project		Comments			
Weight [kg] 700	Box Volume [m³] 10,3	Description WaStop DN1600						
 www.wapro.com		Flange			Article Number WS1585-S-FL	Drawing Number ws1585-s-fl-en	Rev A	Sheet 1 (1)