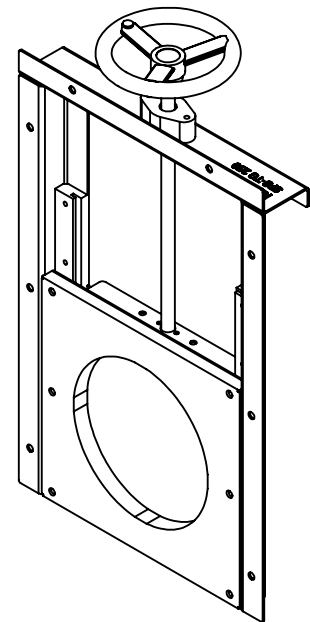
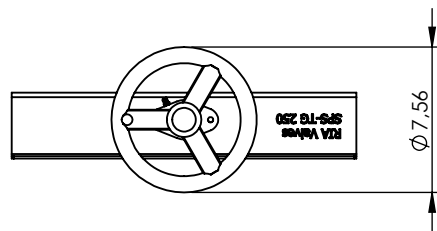
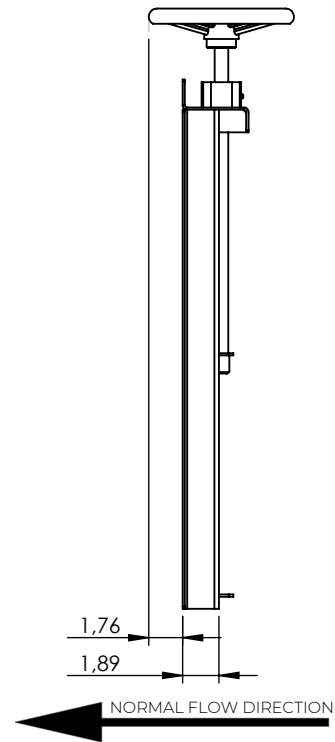
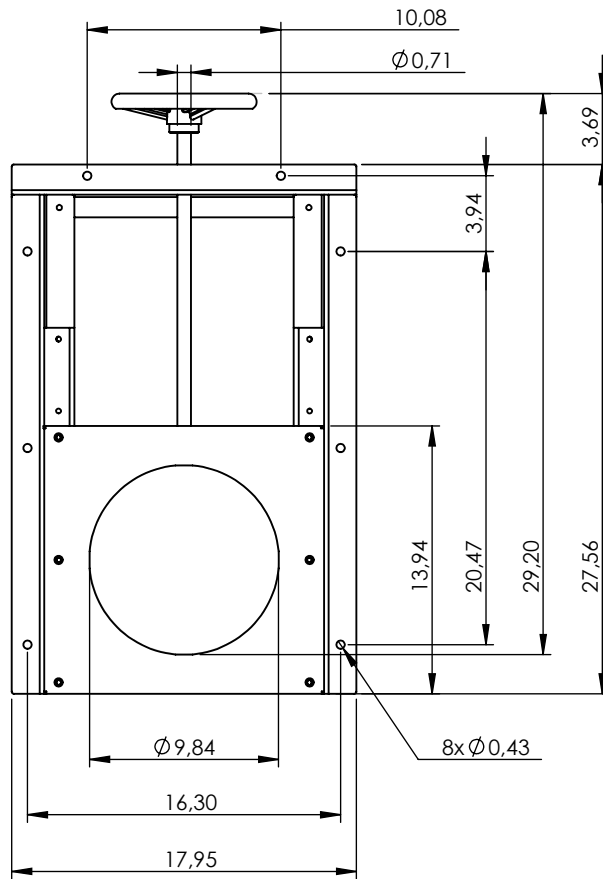
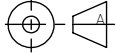


Rev	Note	CreatedBy	Appr.By	Appr.Date
A	Initial release	FG	AE	2020-06-08



Designed By FG	Approved By AE	Created Date 2020-06-05	Units [inch]	General Tolerance SS-ISO 2768-1 m	Scale 1:10	 Comments
Material 1.4404 / EN1.4301		Box Volume [ft <sup>3</sup> ]	Description WaGate SPS-TG NPS 10" Maximum pressure 13.12 ftH <sub>2</sub> O			
Weight [Lbs] 35.3			Article Number W2627_6250/4250	Drawing Number sps-tg nps10-us	Rev A	Sheet 1 (1)



© 2018 Wapro AB. This document is subject to copyrights owned by Wapro AB. Any amendments, republication, retransmission, and/or reproduction of all or any part of the document is expressly prohibited, unless the copyright owner of the material has expressly granted its prior written consent. All other rights are reserved.