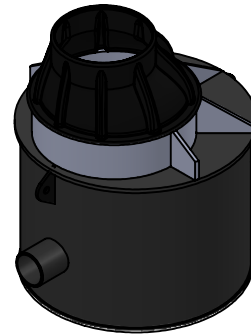
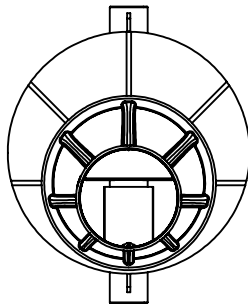
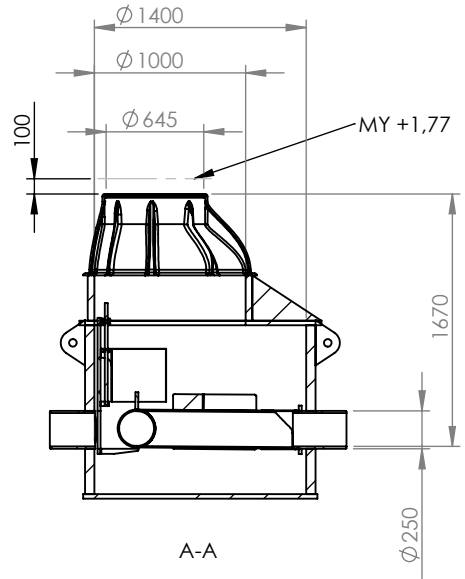
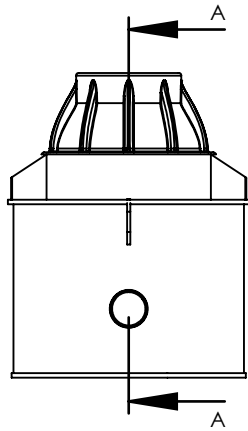


NOT FOR PRODUCTION

© 2018 Wapro AB. This document is subject to copyrights owned by Wapro AB. Any amendments, republication, retransmission, and/or reproduction of all or any part of the document is expressly prohibited, unless the copyright owner of the material has expressly granted its prior written consent. All other rights are reserved.

Rev	Note	CreatedBy	Appr.By	Appr.Date
A	Initial release	AE	PW	2018-10-10



Designed By AE	Approved By	Created Date 2018-10-10	Units [mm]	General Tolerance SS-ISO 2768-1 v	Scale 1:50	
Material PE, EN1.4301, EPDM			Comments		Project	
Weight [kg]		Box Volume [m³]	Description WaReg DN250 3.0 Flow 22.5-70 l/s			
 www.wapro.com			Article Number WR250-3.0	Drawing Number 30586	Rev A	Sheet 1 (1)