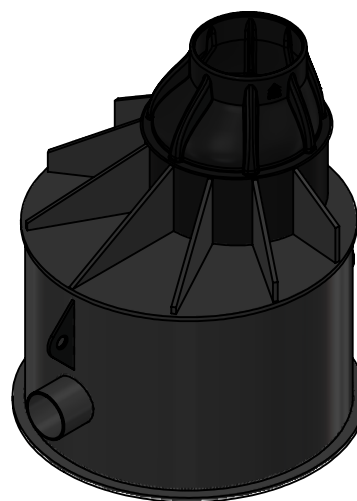
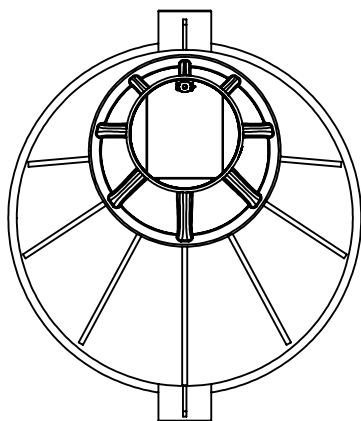
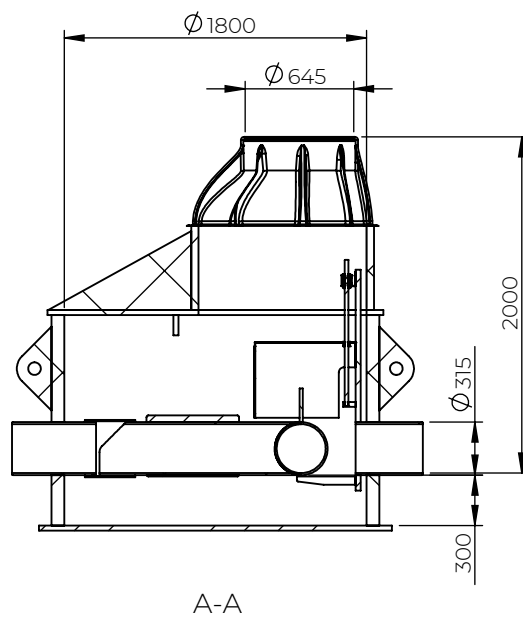
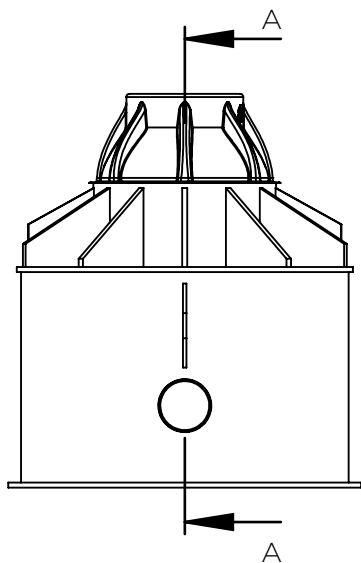


Rev	Note	CreatedBy	Appr.By	Appr.Date
A	Initial release		AE	2019-12-20



© 2018 Wapro AB. This document is subject to copyrights owned by Wapro AB. Any amendments, republication, retransmission, and/or reproduction of all or any part of the document is expressly prohibited, unless the copyright owner of the material has expressly granted its prior written consent. All other rights are reserved.

Designed By PM	Approved By PM	Created Date 2017-12-22	Units [mm]	General Tolerance SS-ISO 2768-1 c	Scale 1:45	
Material PE, EN1.4301, EPDM			Project		Comments	
Weight [kg]		Box Volume [m³]		Description WaReg DN315 3.0		
 <a href="http://www.wapro.com">www.wapro.com</a>				Flow 55-110 l/s		
				Article Number WR315 3.0	Drawing Number WR315-3.0	Rev 2019-12-20