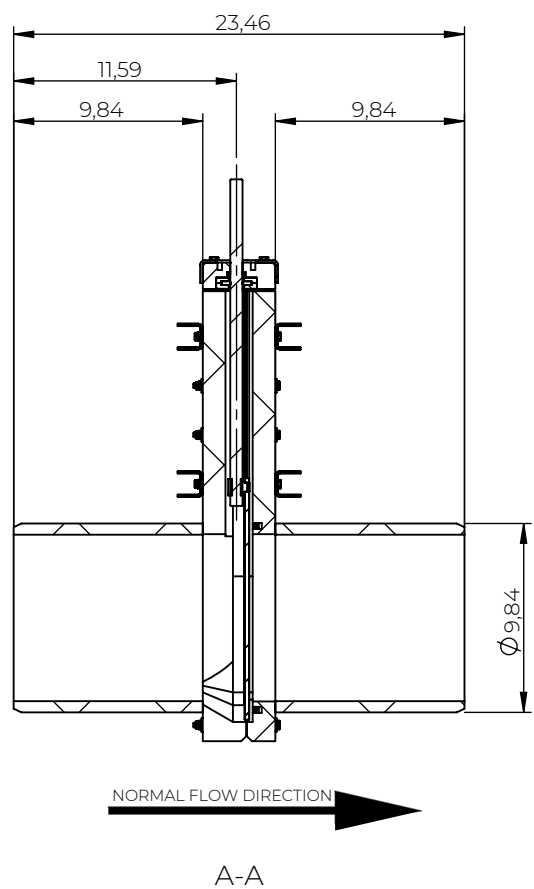
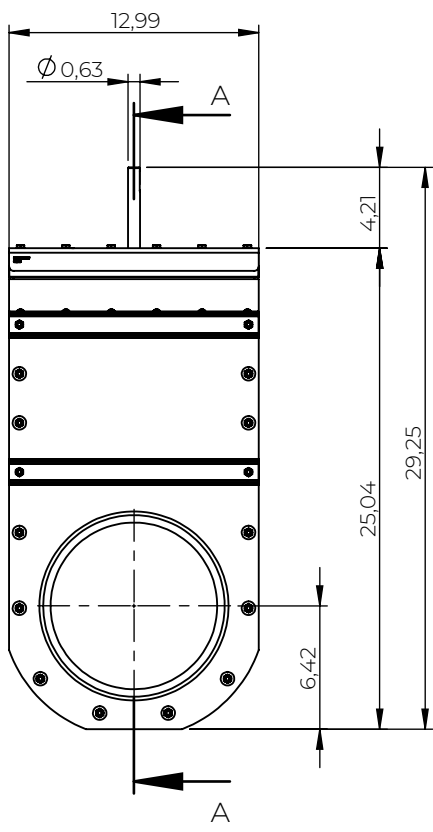
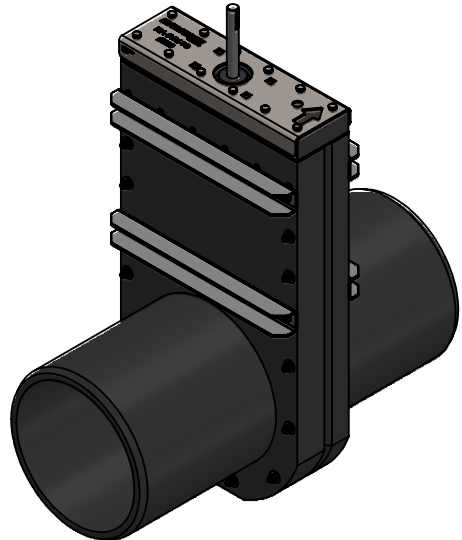
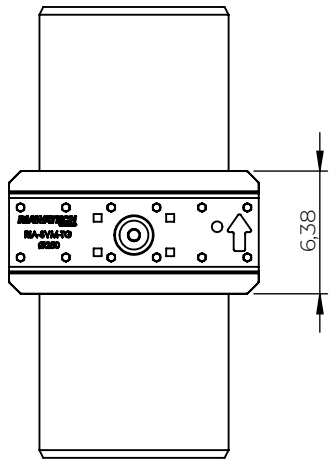


© 2022 Riawatech A/S. This document is subject to copyrights owned by Riawatech A/S. Any amendments, republication, retransmission, and/or reproduction of all or any part of the document is expressly prohibited, unless the copyright owner of the material has expressly granted its prior written consent. All other rights are reserved.



Approval Signature: _____

Date: _____

√	Article No.	Knife gate material	Spindle material	Reinforcement material
	V70076250	EN1.4404 / AISI 316	EN1.4404 / AISI 316	EN1.4404 / AISI 316
	V70078250	EN1.4462 / AISI 2205	EN1.4462 / AISI 2205	EN1.4404 / AISI 316
	V70079250	EN1.4462 / AISI 2205	EN1.4462 / AISI 2205	EN1.4462 / AISI 2205

Designed By PW	Approved By	Created Date 2022-08-29	Units [inch]	General Tolerance ISO 2768-1 m	Scale 1:10	 Updated 2022-08-29
Material See table	Box Volume [ft ³]		Description RIA Stop Valve SVM-TG NPS 10			
Weight [Lbs] 69.45						
 WAPRO GROUP			Article Number See table	Drawing Number svm-tg-Ø250-us	Rev A	Sheet 1 (1)
			www.riawatech.com			