

## FLAP VALVE - KVF DN/OD 110-160

**AREA OF USE:** With flange for wall mounting. Barrier against backflow in the piping system. Discharge from drainage systems to open channels and pump stations. KVF is for one-way flow.

### ADVANTAGES WITH WAFLAP KVF:

- The flap valve can be mounted below the water surface
- The materials are corrosion-resistant with low maintenance requirements
- Easy opening in the direction of flow, and the flap closes securely in the opposite direction
- Without mechanics, thereby allowing for easy installation



**INSTALLATION:** Mounted on a maintenance-free, heavy-duty rubber hinge with embedded canvas that is not affected by reduced friction from the surroundings. The slanted flap (inclination 15°) is mounted on a maintenance-free, heavy-duty rubber hinge with embedded fabric, which is not affected by reduced friction from the environment, thereby a lower hydraulic resistance in the direction of flow. Soft seal mounted against the flap.

### MATERIAL:

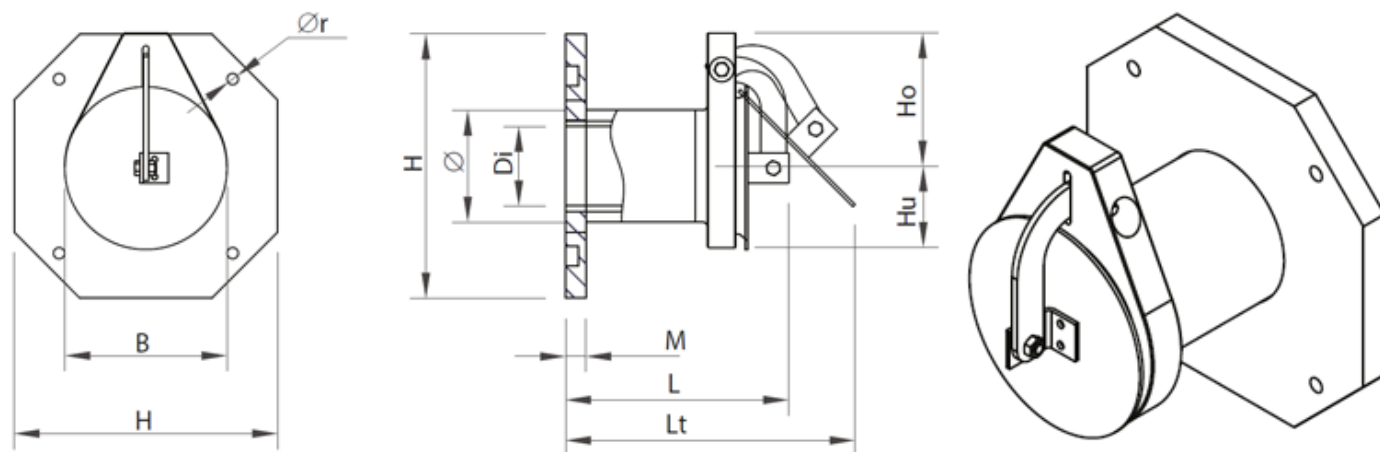
Pipe to flap valve	PEHD
Flap and wall flange	PEHD
Weight and reinforcement	EN 1.4404
Hinge rubber	EP 400/3-3+1,5 LD
Hinge bracket	EN 1.4404
Seal against the flap	EPDM
Seal against wall	EPDM sponge rubber

### TECHNICAL DATA:

Pressure ratio	0,5 bar
Temperatur	-50°C - +80°C



## FLAP VALVE - KVF DN/OD 110-160



### DIMENSIONS IN [MM]

DN/OD	Ø	H	Di	B	M	L	Lt	Ør	WEIGHT[KG]	PIPE TYPE
110	110	260	101,6	160	20	220	233	8xØ11	2	SDR 26
125	125	270	115,4	175	20	225	301	8xØ11	2,5	SDR 26
160	160	325	147,6	200	20	230	266	8xØ11	3	SDR 26

Other dimensions on request. Reserves the right to changes.