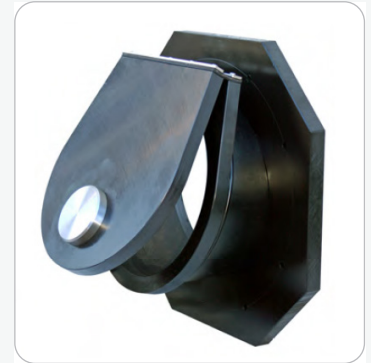


FLAP VALVE - KVF DN/OD 200-630

AREA OF USE: With flange for wall mounting. Barrier against backflow in the piping system. Discharge from drainage systems to open channels and pump stations. KVF is for one-way flow.

ADVANTAGES WITH WAFLAP KVF:

- The flap valve can be mounted below the water surface
- The materials are corrosion-resistant with low maintenance requirements
- Easy opening in the direction of flow, and the flap closes securely in the opposite direction
- Without mechanics, thereby allowing for easy installation



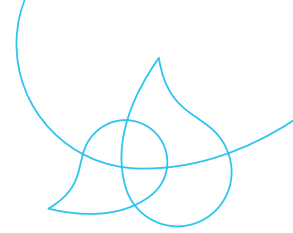
INSTALLATION: Mounted on a maintenance-free, heavy-duty rubber hinge with embedded canvas that is not affected by reduced friction from the surroundings. The slanted flap (inclination 15°) is mounted on a maintenance-free, heavy-duty rubber hinge with embedded fabric, which is not affected by reduced friction from the environment, thereby a lower hydraulic resistance in the direction of flow. Soft seal mounted against the flap.

MATERIAL:

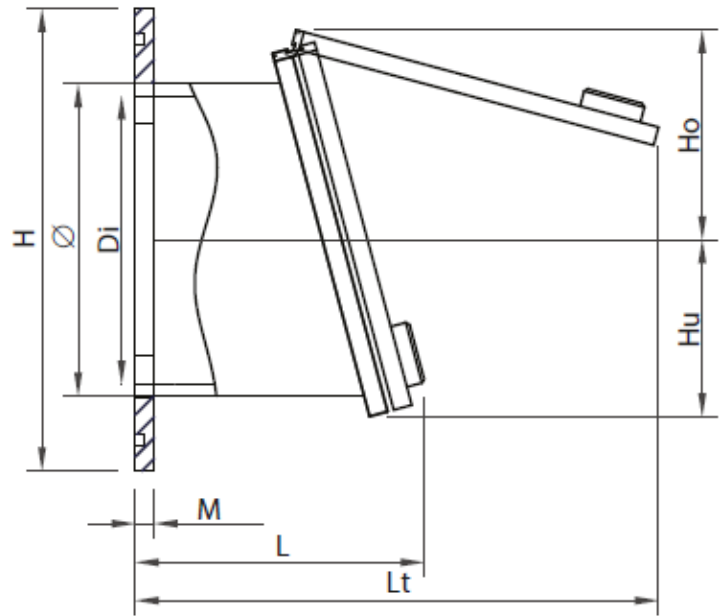
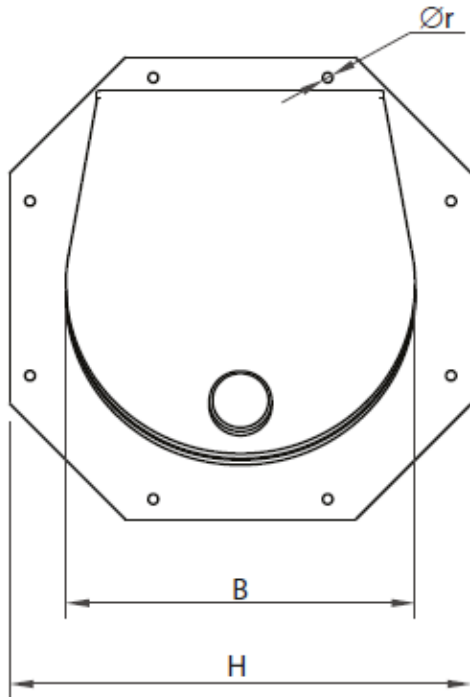
Pipe to flap valve	PEHD
Flap and wall flange	PEHD
Weight and reinforcement	EN 1.4404
Hinge rubber	EP 400/3-3+1,5 LD
Hinge bracket	EN 1.4404
Seal against the flap	EPDM
Seal against wall	EPDM sponge rubber

TECHNICAL DATA:

Pressure ratio	0,5 bar
Temperatur	-50°C - +80°C



FLAP VALVE - KVF DN/OD 200-630



DIMENSIONS IN [MM]

DN/OD	Ø	H	Di	B	M	L	Lt	Ør	WEIGHT[KG]	PIPE TYPE
200	200	370	184,6	225	25	231	374	8xØ11	4	SDR 26
250	250	440	230,8	275	25	268	449	8xØ13	6	SDR 26
315	315	520	290,8	345	25	436	596	8xØ13	11	SDR 26
400	400	640	369,4	450	30	369	680	8xØ16	19	SDR 26
450	450	700	415,6	510	30	438	789	8xØ16	29	SDR 26
500	500	740	461,8	560	30	463	839	8xØ16	42	SDR 26
560	560	770	517,2	610	30	505	924	8xØ16	45	SDR 26
630	630	910	581,8	710	30	535	1017	8xØ16	53	SDR 26

Other dimensions on request. Reserves the right to changes.