

FLAP VALVE - KVF DN/OD 700-1200

AREA OF USE: With flange for wall mounting. Barrier against backflow in the piping system. Discharge from drainage systems to open channels and pump stations. KVF is for one-way flow.

ADVANTAGES WITH WAFLAP KVF:

- The flap valve can be mounted below the water surface
- The materials are corrosion-resistant with low maintenance requirements
- Easy opening in the direction of flow, and the flap closes securely in the opposite direction
- Without mechanics, thereby allowing for easy installation



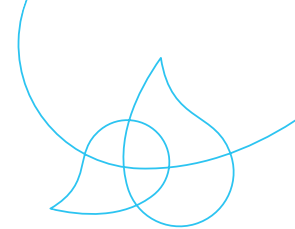
INSTALLATION: Mounted on a maintenance-free, heavy-duty rubber hinge with embedded canvas that is not affected by reduced friction from the surroundings. The slanted flap (inclination 15°) is mounted on a maintenance-free, heavy-duty rubber hinge with embedded fabric, which is not affected by reduced friction from the environment, thereby a lower hydraulic resistance in the direction of flow. Soft seal mounted against the flap.

MATERIAL:

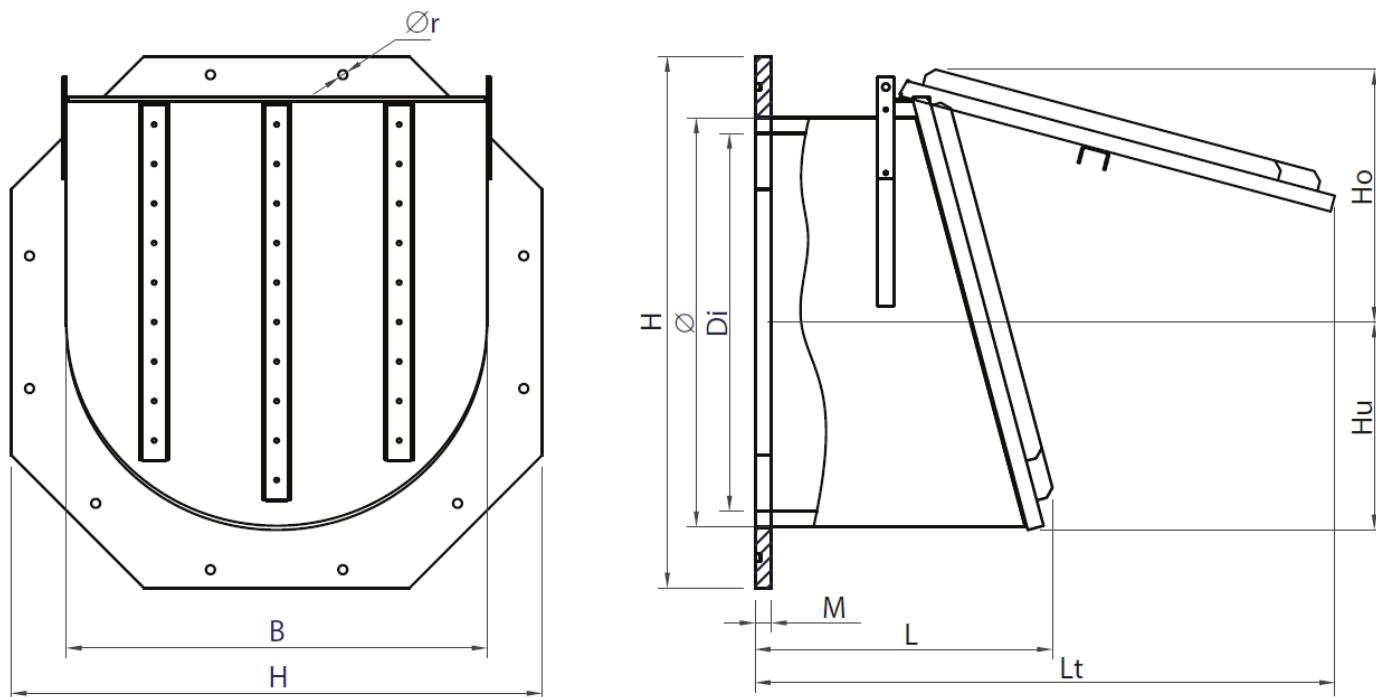
Pipe to flap valve	PEHD
Flap and wall flange	PEHD
Weight and reinforcement	EN 1.4404
Hinge rubber	EP 400/3-3+1,5 LD
Hinge bracket	EN 1.4404
Seal against the flap	EPDM
Seal against wall	EPDM sponge rubber

TECHNICAL DATA:

Pressure ratio	0,5 bar
Temperatur	-50°C - +80°C



FLAP VALVE - KVF DN/OD 700-1200



DIMENSIONER I [MM]

DN/OD	Ø	H	Di	B	M	L	Lt	Ør	WEIGHT[KG]	PIPE TYPE
700	710	1000	655,6	740	40	579	1081	12xØ20	73	SDR 26
800	800	1100	738,8	830	40	622	1192	12xØ20	93	SDR 26
900	900	1200	831,2	930	40	703	1333	12xØ20	122	SDR 26
1000	1000	1300	923,6	1030	40	728	1420	12xØ22	165	SDR 26
1200	1200	1500	1108,2	1250	40	835	1700	12xØ22	215	SDR 26

Other dimensions on request. Reserves the right to changes.