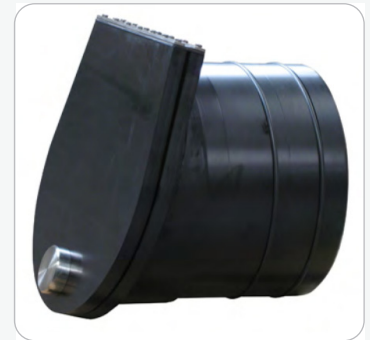


FLAP VALVE - KVI DN/OD 200-630

AREA OF USE: For insertion in piping systems of plastic, concrete, or steel pipes. Barrier against backflow in the piping system. Discharge from drainage systems to open channels and pump stations KVI is for one-way flow.

ADVANTAGES WITH WAFLAP KVI:

- The flap valve can be mounted below the water surface
- The materials are corrosion-resistant with low maintenance requirements
- Easy opening in the direction of flow, and the flap closes securely in the opposite direction
- Without mechanics, thereby allowing for easy installation



INSTALLATION: Two rubber rings are mounted on the pipe end for sealing between the existing pipe and the new flap valve. For installation in an existing pipe system (inside diameter of existing pipe to be specified).

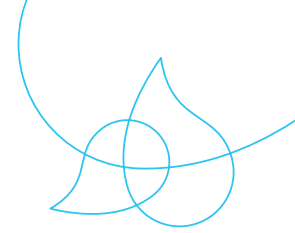
Installation of steel reinforcement on smooth PEHD flap is mounted vertically to prevent deposits on the flap from surface water and wastewater.

MATERIAL:

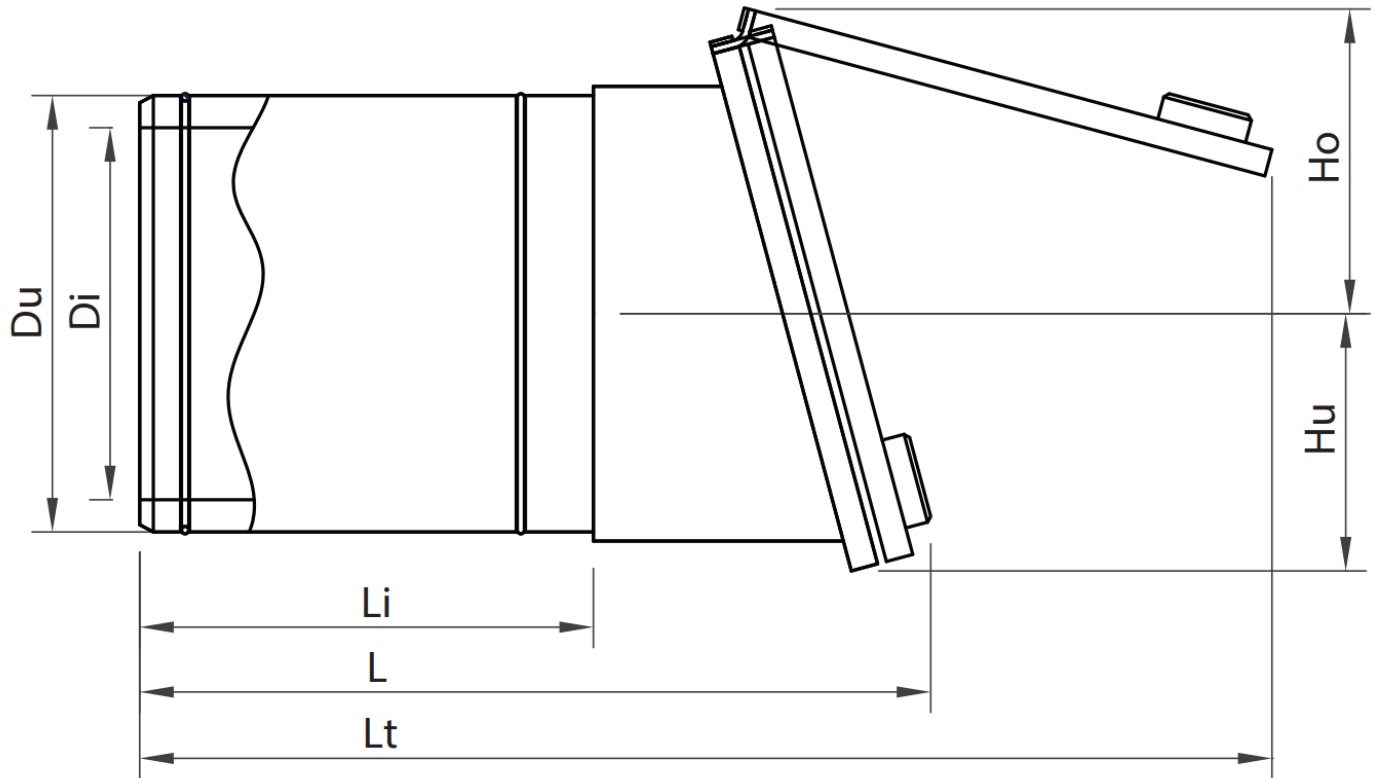
Pipe to flap valve	PEHD
Flap	PEHD
Weight and reinforcement	EN 1.4404
Hinge rubber	EP 400/3-3+1,5 LD
Hinge bracket	EN 1.4404
Seal against the flap	EPDM
Installation gasket	EPDM

TECHNICAL DATA:

Pressure ratio	5mVs
Temperatur	-50°C - +80°C



FLAP VALVE - KVI DN/OD 200-630



DIMENSIONS IN [MM]

DN/OD	Ø	Du	Di	B	Li	L	Lt	Ho	Hu	WEIGHT [KG]
200	200	181-200	164	225	200	395	530	166	107	4,1
225	225	205-225	184	275	200	400	560	181	121	4,8
250	250	230-250	205	275	250	470	650	197	132	6,1
280	280	250-280	230	305	250	495	670	214	147	7,5
300	315	280-315	258	345	300	500	735	239	165	10,9
350	355	320-355	291	405	300	630	775	245	203	15,2
400	400	359-400	327	450	400	730	940	274	226	18,6
450	450	405-450	368	510	450	800	1080	322	256	29
500	500	451-500	409	560	500	900	1175	338	281	42
550	550	500-560	458	610	560	980	1320	387	306	53,2
600	630	558-630	516	710	600	1040	1460	431	357	73,2

Other dimensions on request. Reserves the right to changes.

Contact: wapro.com +46 (0)454 185 10 sales@wapro.com
 Contact GB and IE: wapro.com +44 114 308 0123 sales@wapro.com