

SLUICE GATE - SPK TG DN 8-32

AREA OF USE: Sewer and stormwater, industrial facilities, process water and for the fishing and agricultural industry. SPK-TG is for two-sided pressure.

ADVANTAGES WITH WAGATE SPK-TG:

- No welding of the frame and damper plate, thus significantly reducing corrosion degradation, therefore longer operational life
- Built-in wedge system in the frame, ensuring 100% advancement of the damper plate against the gasket with sealing from two sides
- Encapsulated bearing and sliding parts built into a PEHD housing, thereby no degradation from the medium
- Non-rising spindle
- O-ring seal mounted in PEHD for possible replacement
- Square or circular opening with the possibility for a tight connection of pipe to the damper



OPERATION: Hand wheel. Can be used with electric, pneumatic, or hydraulic actuators.

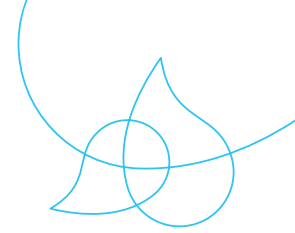
SPECIAL DESIGN: Other pressure stages upon request. Spindle thread outside the medium.

MATERIAL:

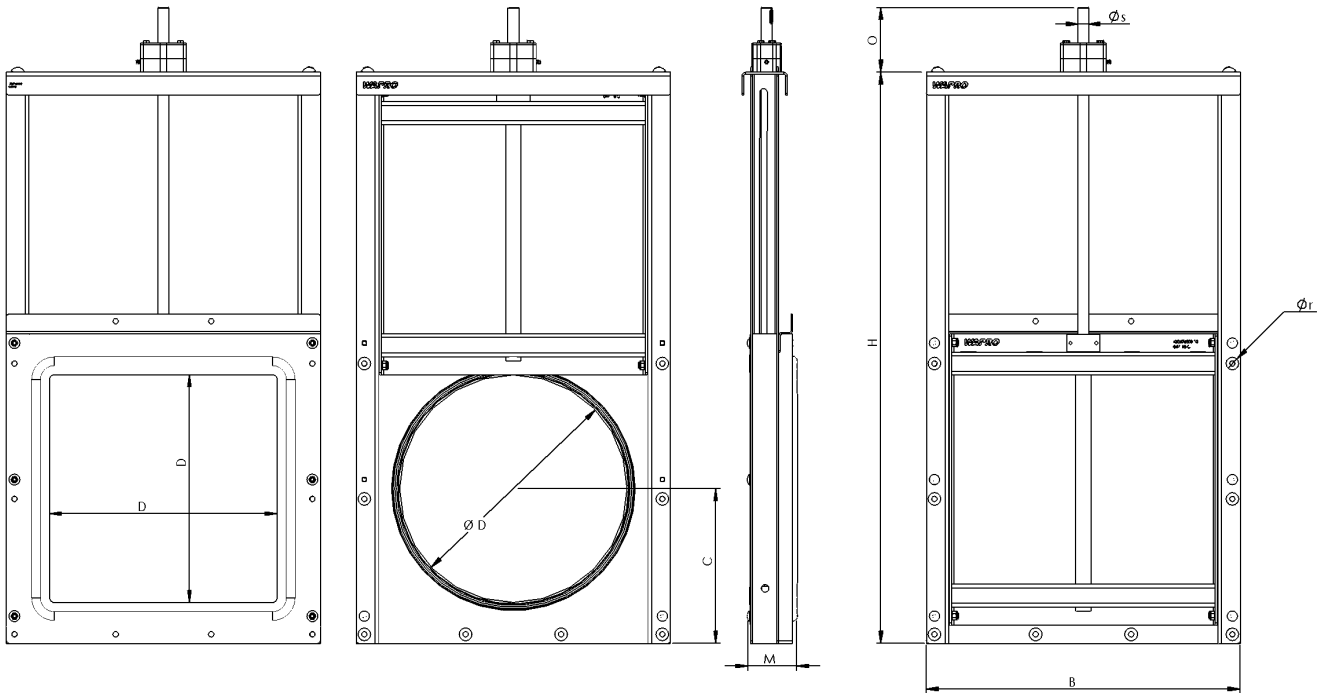
Frame	EN 1.4404 (EN 1.4462)
Damper plate	EN 1.4404 (EN 1.4462)
Bagplade	PEHD
Spindle	EN 1.4571 (EN 1.4462)
Spindle nut	Tin bronze (Cu2Sn12)
Seal against the damper plate	EPDM
Seal against the wall	EPDM sponge rubber

TECHNICAL DATA:

Sealing according to	DIN EN 12266.1
Pressure ratio	See column MVS below



SLUICE GATE - SPK TG DN 8-32



DIMENSIONS IN [INCHES]

DN	D	B	C	H	M	ØR	O	ØS	NM	TURNS TO OPEN	WEIGHT [LBS]	MWC
8	7,87	13,86	6,30	22,56	3,66	0,28xØ0,47	4,96	0,71	0,16	50	46,3	6
10	9,84	15,83	7,28	26,50	3,43	0,28xØ0,47	5,75	0,71	0,24	63	48,5	6
12	12,40	18,94	9,45	33,39	3,62	0,31xØ0,47	5,59	0,71	0,28	75	66,1	6
16	15,75	23,15	11,02	40,00	4,33	0,31xØ0,47	5,63	0,71	0,35	100	88,2	6
20	19,69	27,17	13,39	49,41	4,37	0,39xØ0,47	5,59	0,87	0,47	100	132,3	6
24	24,80	32,28	16,14	59,69	5,20	0,51xØ0,47	5,31	0,87	0,75	120	187,4	5
28	27,95	35,83	17,72	65,98	5,35	0,51xØ0,47	7,60	0,98	0,94	140	231,5	3
32	31,50	39,37	19,49	73,11	5,35	0,51xØ0,47	7,99	0,98	1,18	160	275,6	3

Other dimensions on request. Reserves the right to changes.