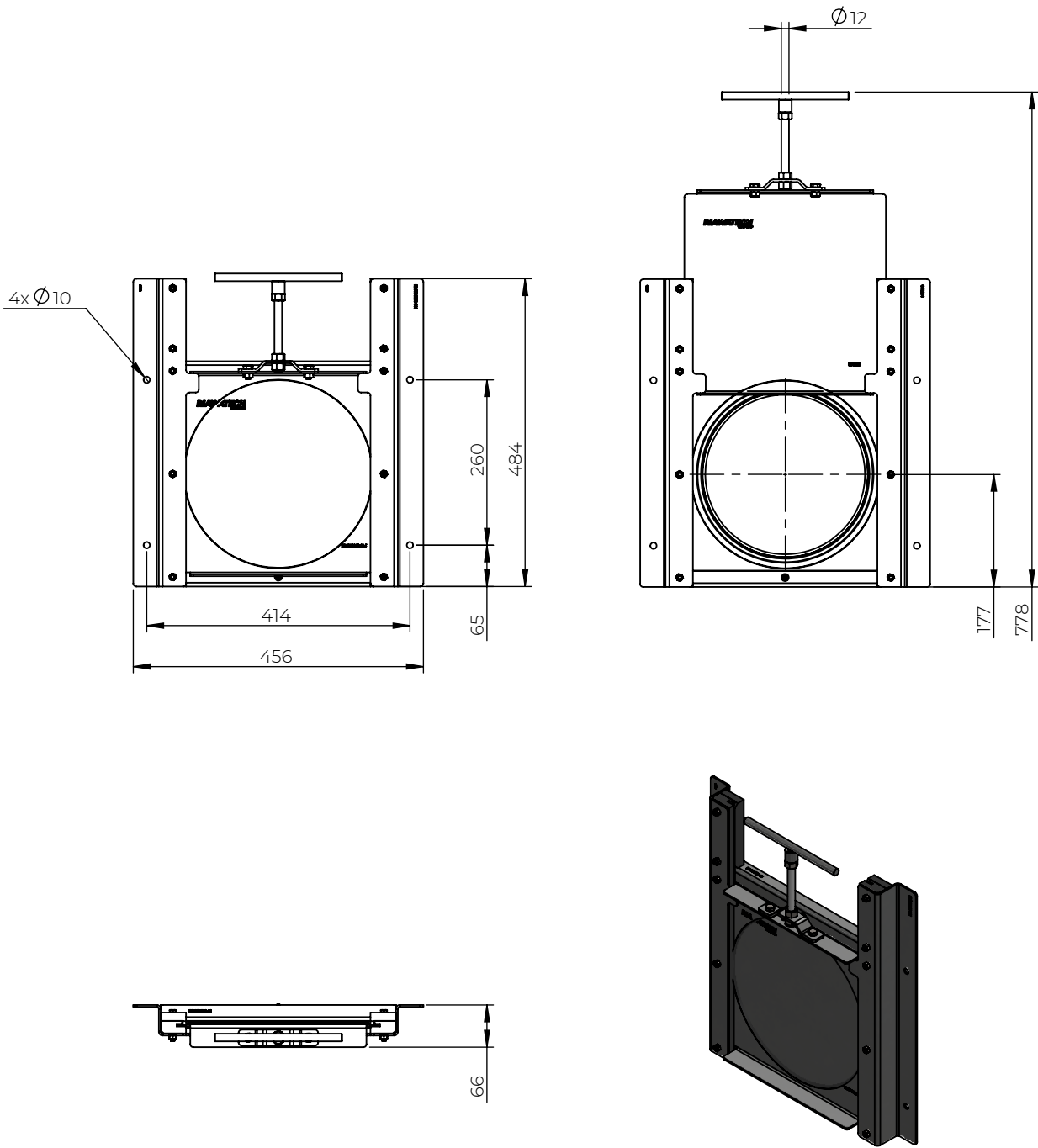


© 2022 Riawatech A/S. This document is subject to copyrights owned by Riawatech A/S. Any amendments, republication, retransmission, and/or reproduction of all or any part of the document is expressly prohibited, unless the copyright owner of the material has expressly granted its prior written consent. All other rights are reserved.



Approval Signature: _____

Date: _____

√	Article Nr.	Frame mtrl.	Gate	Rod & Handle
	V26076250	EN 1.4404/ AISI 316	EN 1.4404/ AISI 316	EN 1.4404/ AISI 316
	V26078250	EN 1.4462 / AISI 2205	EN 1.4462 / AISI 2205	EN 1.4462 / AISI 2205

Designed By RE	Approved By RE	Created Date 2021-12-16	Units [mm]	General Tolerance ISO 2768-1 m	Scale 1:10	
Material see table		Box Volume [m³]	Comment Description RIA SPS-TL Penstock Ø250			
Weight [kg] 9.62		 WAPRO GROUP www.riawatech.com				
Article Number see table		Drawing Number sps-tl-250_en		Rev A	Sheet 1 (1)	