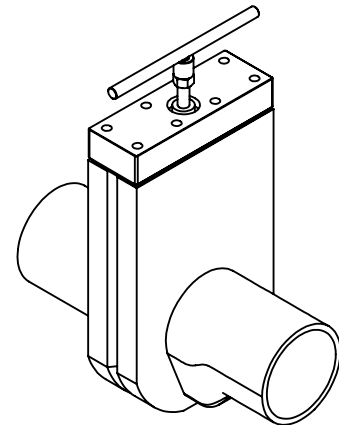
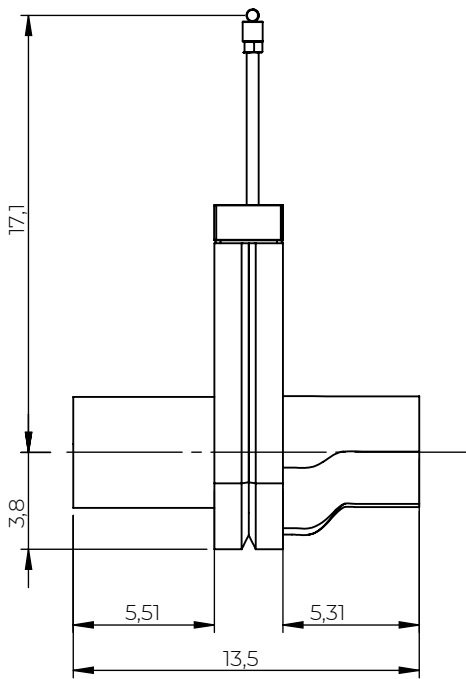
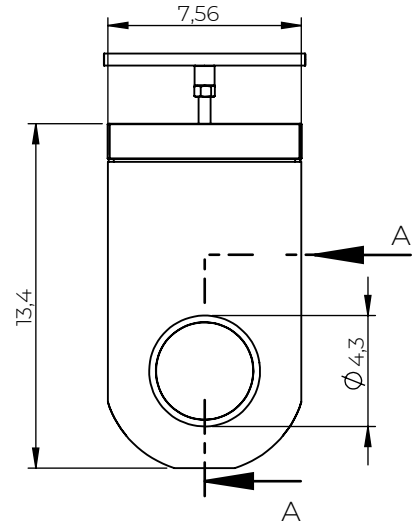



A-A
SCALE 1 : 7.5



Approval Signature: _____

Date: _____

© 2022 Wapro AB. This document is subject to copyrights owned by Wapro AB. Any amendments, republication, retransmission, and/or reproduction of all or any part of the document is expressly prohibited, unless the copyright owner of the material has expressly granted its prior written consent. All other rights are reserved.

√	Article No.	Knife gate material	Screw & bolt	Pipe and Body
	V13078110	EN1.4462 / AISI 2205	A4	PEDH
	V13076110	EN1.4404 / AISI 316	A4	PEHD
	V13079110	EN1.4462 / AISI 2205	EN1.4529 / AISI926	PEDH
Designed By MS	Approved By	Created Date 2022-08-30	Units [mm]	General Tolerance ISO 2768-1 m
Material See Table			Comment PE100 PN 6,3 SDR 17	Scale 1:5
Weight [kg] 10.20		Box Volume [m³]	Description WaGate Gate Valve SVL DN/OD 110	Updated 2022-12-13
 www.wapro.com		Article Number See Table	Drawing Number SVL Ø110_US	Rev A
				Sheet 1 (1)