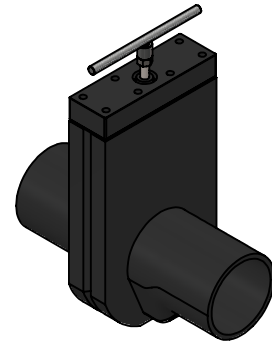
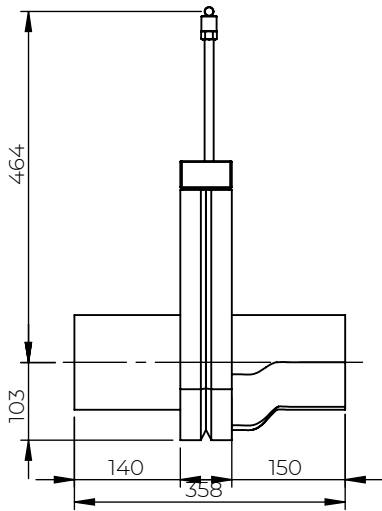
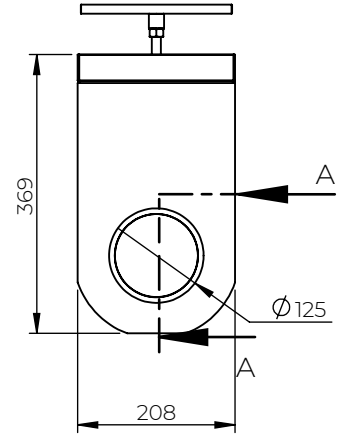



A-A



Approval Signature: _____

Date: _____

© 2022 Wapro AB. This document is subject to copyrights owned by Wapro AB. Any amendments, republication, retransmission, and/or reproduction of all or any part of the document is expressly prohibited, unless the copyright owner of the material has expressly granted its prior written consent. All other rights are reserved.

√	Article No.	Knife gate material	Screw & bolt	Pipe and Body
	V13078125	EN1.4462 / AISI 2205	A4	PEDH
	V13076125	EN1.4404 / AISI 316	A4	PEHD
	V13079125	EN1.4462 / AISI 2205	EN1.4529 / AISI926	PEDH
Designed By MS	Approved By	Created Date 2022-08-30	Units [mm]	General Tolerance ISO 2768-1 m
Material			Comment PN10 PN6,3 SDR26	Scale 1:10
Weight [kg] 5.38	Box Volume [m³]		Description WaGate Gate Valve SVL DN/OD 125	Updated 2022-12-14
 www.wapro.com		Article Number See Table	Drawing Number SVL Ø125_EN	Rev A
				Sheet 1 (1)