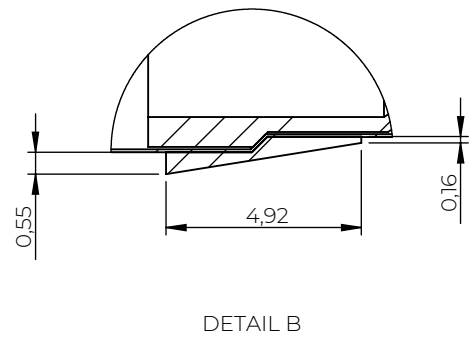
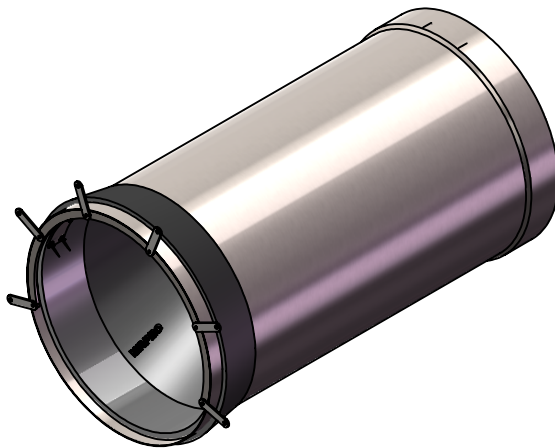
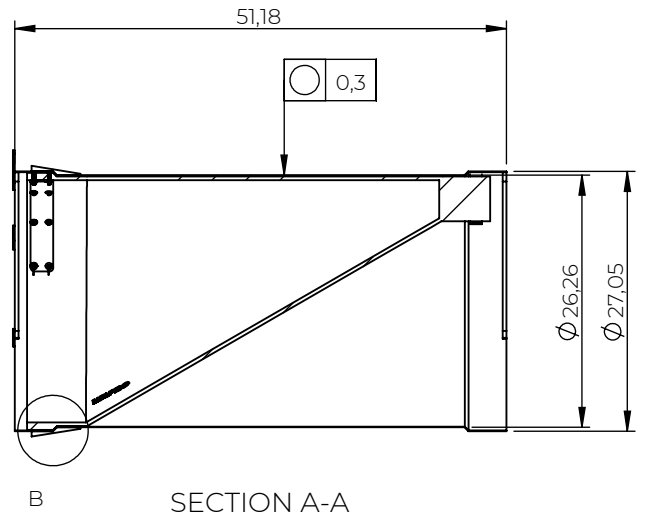
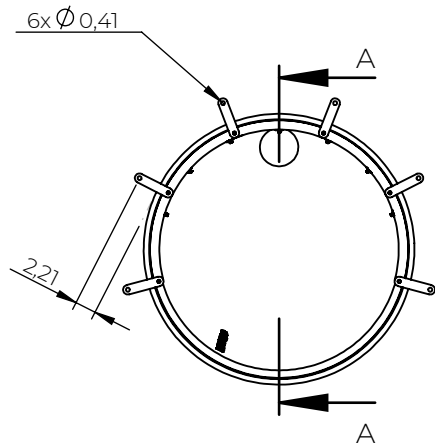


Rev	Note	CreatedBy	Appr.By	Appr.Date
B		PW	FG	2021-02-15



© 2018 Wapro AB. This document is subject to copyrights owned by Wapro AB. Any amendments, republication, retransmission, and/or reproduction of all or any part of the document is expressly prohibited, unless the copyright owner of the material has expressly granted its prior written consent. All other rights are reserved.

Designed By PM	Approved By PM	Created Date 2011-05-12	Units [inch]	General Tolerance ISO 13920A	Scale 1:20	
Material EN 1.4301 / EN 1.4404			Comments		Project	
Weight [Lbs] 150	Box Volume [ft³] 22		Description WaStop NPS 28"			
 www.wapro.com			Article Number WS690-S	Drawing Number ws690-s-us	Rev B	Sheet 1 (1)