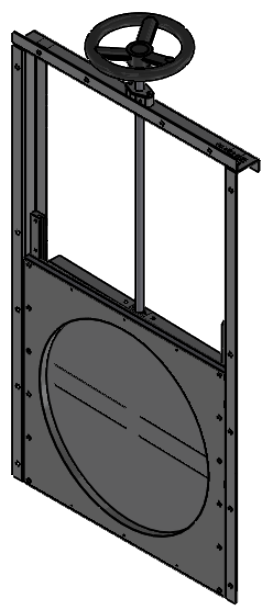
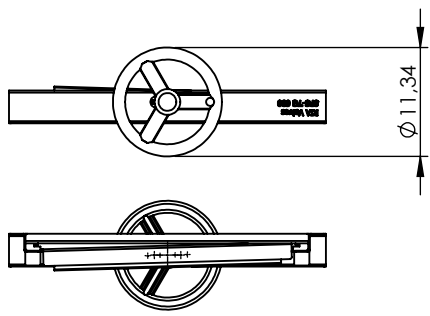
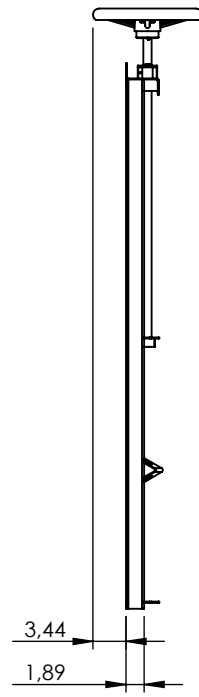
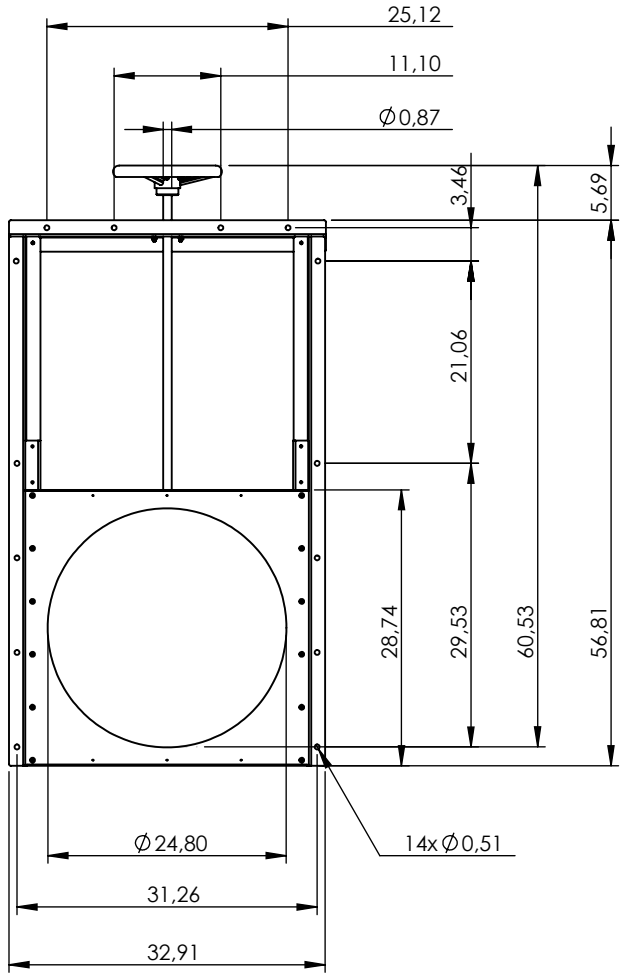
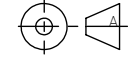



|     |                 |           |         |            |
|-----|-----------------|-----------|---------|------------|
| Rev | Note            | CreatedBy | Appr.By | Appr.Date  |
| A   | Initial release | FG        | AE      | 2020-06-10 |



© 2018 Wapro AB. This document is subject to copyrights owned by Wapro AB. Any amendments, republication, retransmission, and/or reproduction of all or any part of the document is expressly prohibited, unless the copyright owner of the material has expressly granted its prior written consent. All other rights are reserved.

|  |                   |                               |   |                                      |               |   |
|--|-------------------|-------------------------------|---|--------------------------------------|---------------|---|
| Designed By<br>FG  | Approved By<br>AE | Created Date<br>2020-06-10    | Units<br>[inch]   | General Tolerance<br>SS-ISO 2768-1 m | Scale<br>1:20 | <br>Comments |
| Material<br>EN1.4404 / EN1.4301  |                   | Box Volume [ft <sup>3</sup> ] | Description<br>WaGate SPS-TG NPS 24"<br>Maximum pressure 9.84 ftH2O |                                      |               |   |
| Weight [Lbs]<br>88.2   |                   |                               | Article Number<br>W2627_6630/4630                                   | Drawing Number<br>sps-tg nps24-us    | Rev<br>A      | Sheet<br>1 (1)  |
| <br>www.wapro.com |                   |                               |   |                                      |               |   |