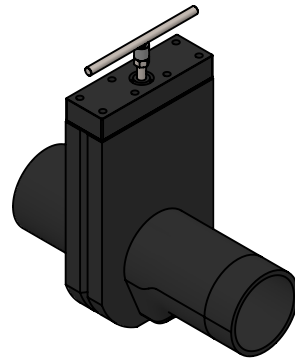
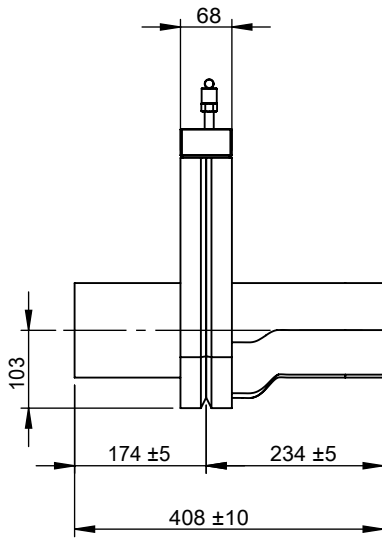
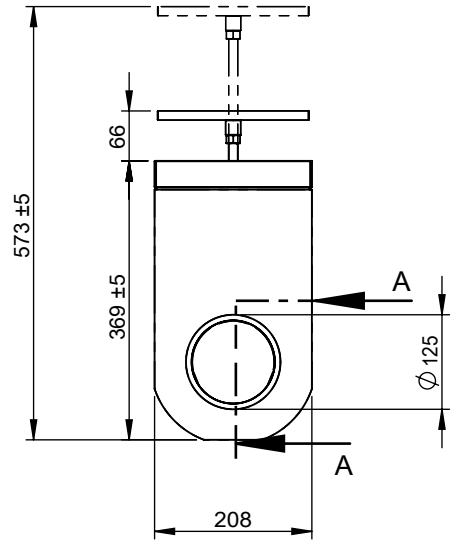
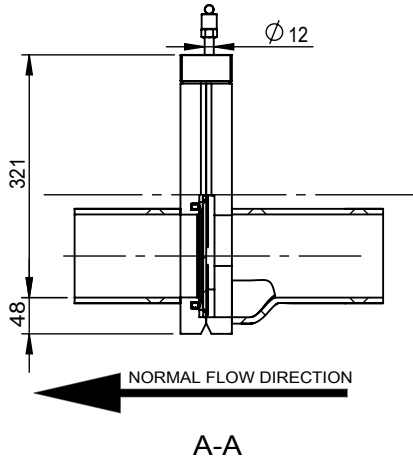



© 2022 Wapro AB. This document is subject to copyrights owned by Wapro AB. Any amendments, republication, retransmission, and/or reproduction of all or any part of the document is expressly prohibited, unless the copyright owner of the material has expressly granted its prior written consent. All other rights are reserved.



Designed By <b>MS</b>	Approved By	Created Date <b>2022-08-30</b>	Units [mm]	General Tolerance	Scale 1:10	
Material			Comment <b>PE100 SDR17</b>			Updated <b>16-05-2024</b>
Weight [kg] <b>5.51</b>		Box Volume [m³]				
 <a href="http://www.wapro.com">www.wapro.com</a>			Description <b>WaGate Gate Valve SVL DN/OD 125</b>			
			Article Number	Drawing Number <b>SVL Ø125_EN</b>	Rev <b>A</b>	Sheet <b>1 (1)</b>