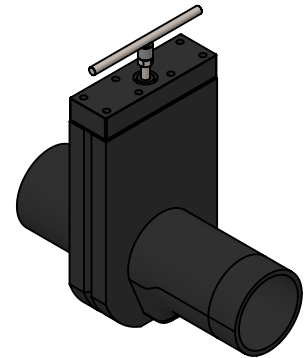
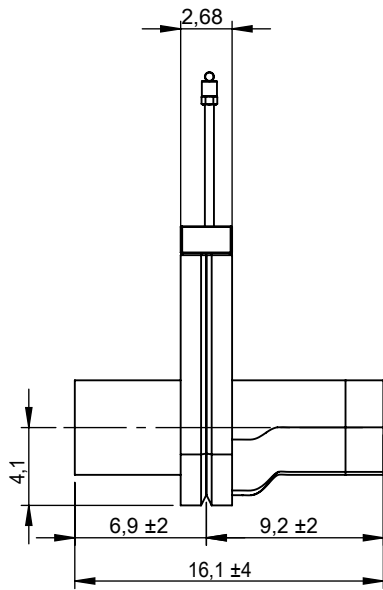
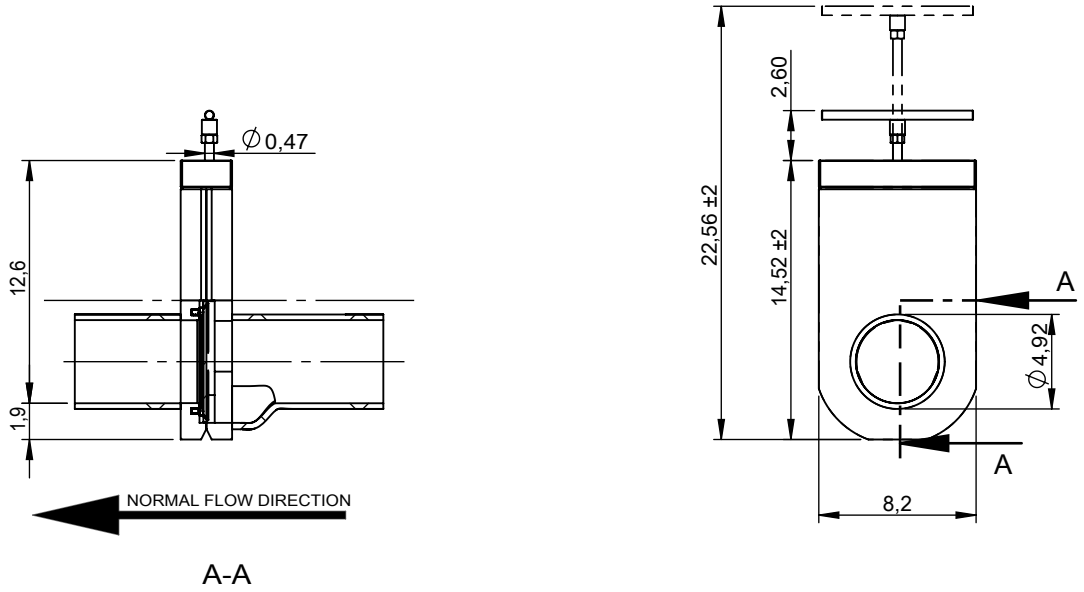


© 2022 Wapro AB. This document is subject to copyrights owned by Wapro AB. Any amendments, republication, retransmission, and/or reproduction of all or any part of the document is expressly prohibited, unless the copyright owner of the material has expressly granted its prior written consent. All other rights are reserved.



| | | | | | | | |
|--------------------|-------------|-------------------------------|---|-------------------------------|---------------|-----------------------|--|
| Designed By MS | Approved By | Created Date 2022-08-30 | Units [inch] | General Tolerance | Scale 1:10 | | |
| Material | | | Comment PE100 SDR17 | | | Updated 16-05-2024 | |
| Weight [Lbs] 12 | | Box Volume [ft ³] | Description WaGate Gate Valve SVL NPS/OD 5 | | | | |
| www.wapro.com | | | Article Number | Drawing Number SVL Ø125_US | Rev A | Sheet 1 (1) | |