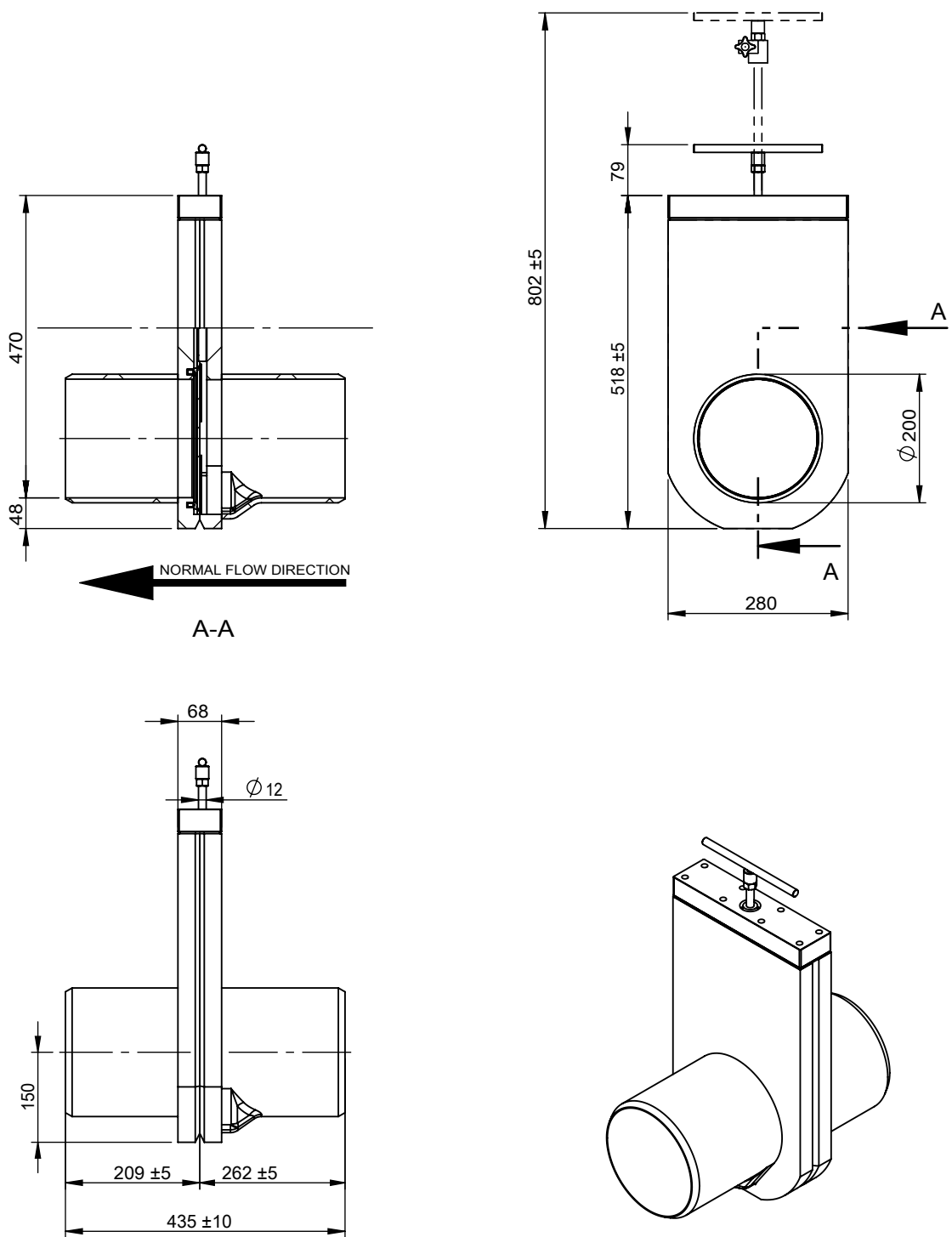


© 2021 Wapro AB. This document is subject to copyrights owned by Wapro AB. Any amendments, republication, retransmission, and/or reproduction of all or any part of the document is expressly prohibited, unless the copyright owner of the material has expressly granted its prior written consent. All other rights are reserved.



Designed By MS	Approved By	Created Date 2022-08-30	Units [mm]	General Tolerance	Scale 1:10	
Material			Comment PE100 SDR26		Updated 17-05-2024	
Weight [kg] 9.59		Box Volume [m³]		Description WaGate Afspærringsventil SVL DN/OD 200 AISI 316		
 www.wapro.com			Article Number		Drawing Number	
					svl-200_en	
			Rev		Sheet	
			A		1 (1)	