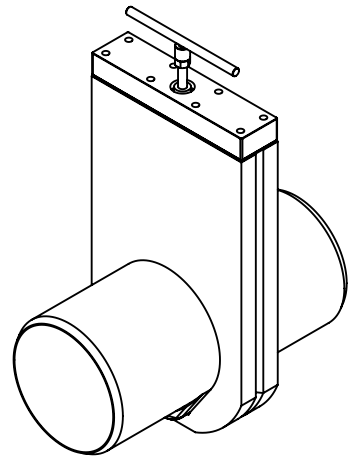
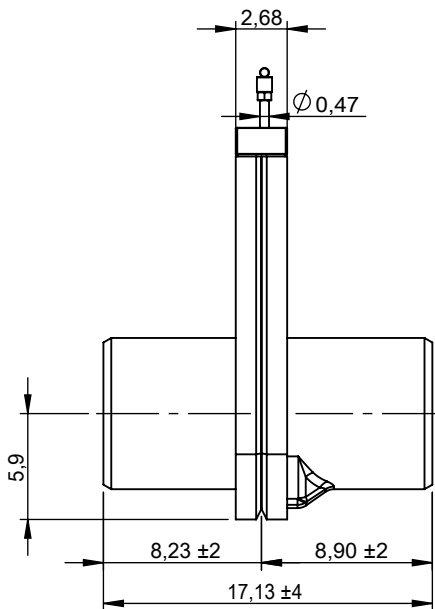
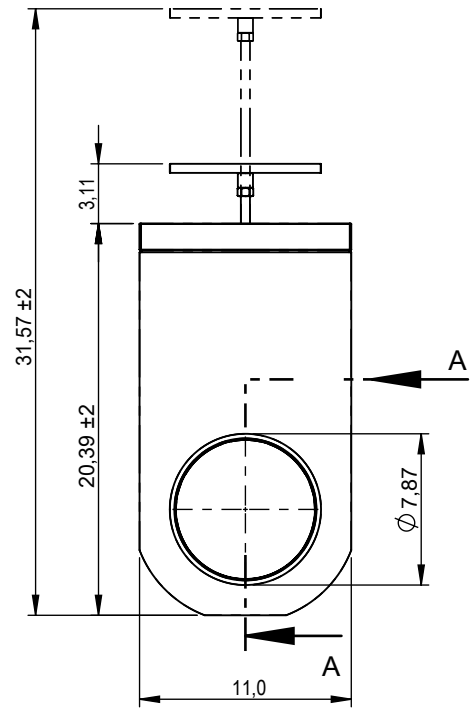
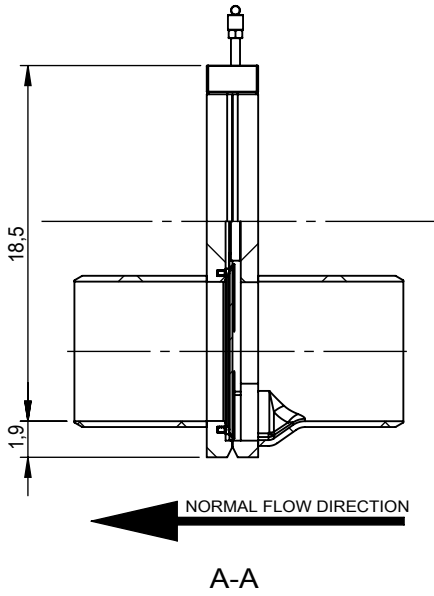
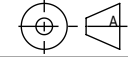



© 2022 Wapro AB. This document is subject to copyrights owned by Wapro AB. Any amendments, republication, retransmission, and/or reproduction of all or any part of the document is expressly prohibited, unless the copyright owner of the material has expressly granted its prior written consent. All other rights are reserved.



Designed By MS	Approved By	Created Date 2022-08-30	Units [inch]	General Tolerance	Scale 1:10		
Material			Comment PE100 SDR26				
Weight [Lbs] 21		Box Volume [ft ³]		Description WaGate Gate valve SVL NPS/OD 8" AISI 316			
 www.wapro.com				Gate Valve			
				Article Number	Drawing Number svl-200_us	Rev A	Sheet 1 (1)