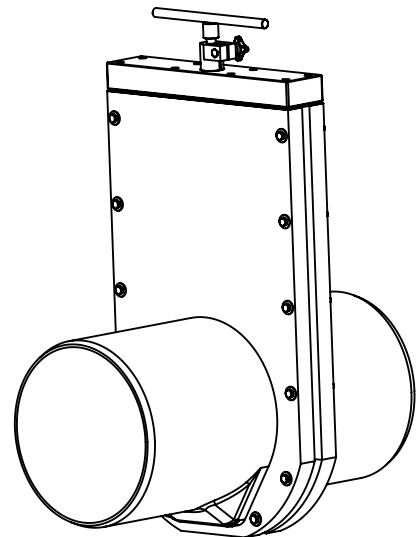
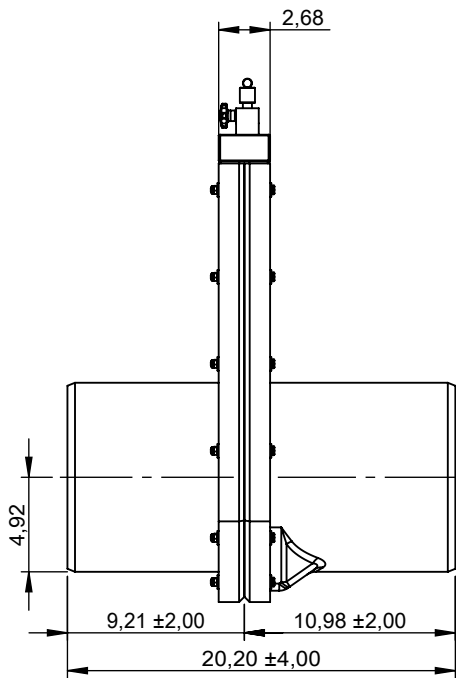
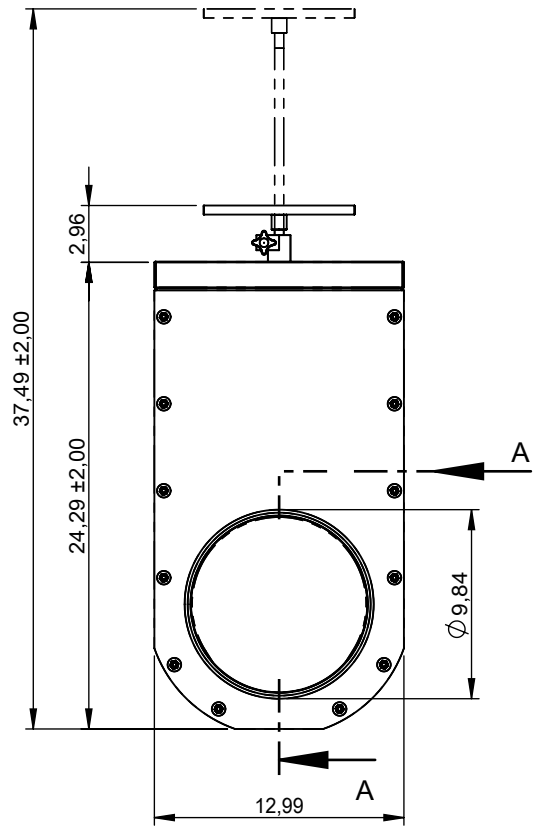
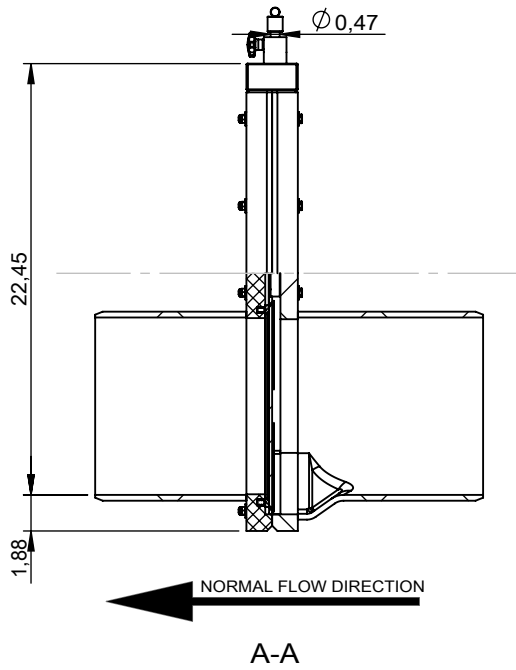


© 2022 Wapro AB. This document is subject to copyrights owned by Wapro AB. Any amendments, republication, retransmission, and/or reproduction of all or any part of the document is expressly prohibited, unless the copyright owner of the material has expressly granted its prior written consent. All other rights are reserved.



Designed By RI	Approved By BL	Created Date 2024-05-24	Units [inch]	General Tolerance	Scale 1:10	
Material			Comment			Updated 12-06-2024
Weight [Lbs] 29		Box Volume [ft ³]	Description			
 www.wapro.com			Article Number V13076250	Drawing Number svl-Ø250_US	Rev A	Sheet 1 (1)