

GATE VALVE - SVM-TG NPS/OD 28-48

AREA OF USE: Sewer and stormwater, process water and for the fishing and agricultural industry. SVM-TG is for one-sided pressure.

ADVANTAGES WITH WAGATE SVM-TG:

- Can be connected to the pipeline network with coupling, electric coupling, flanges, or welded together in open terrain
- Is designed with full flow and with a self-cleaning pocket, which ensures total closure of the valve blade
- Long lifespan. Low operating and maintenance cost
- The O-ring seal against the valve blade can be replaced in larger valves
- Can be built into the pipeline inside and outside well systems with spindle extensions and protective tubes in PEH
- The valve is suitable for installation in the ground without any form of protection



OPERATION: SVM-TG has a non-rising spindle and is operated with a handwheel or with an adapter and extension rod.

Can be used with electric, pneumatic, or hydraulic actuators.

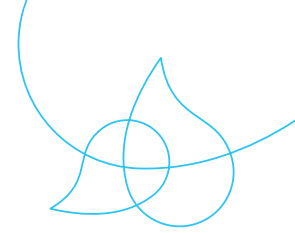
SPECIAL DESIGN: For aggressive media, the spindle/nut is mounted outside the valve body.

MATERIAL:

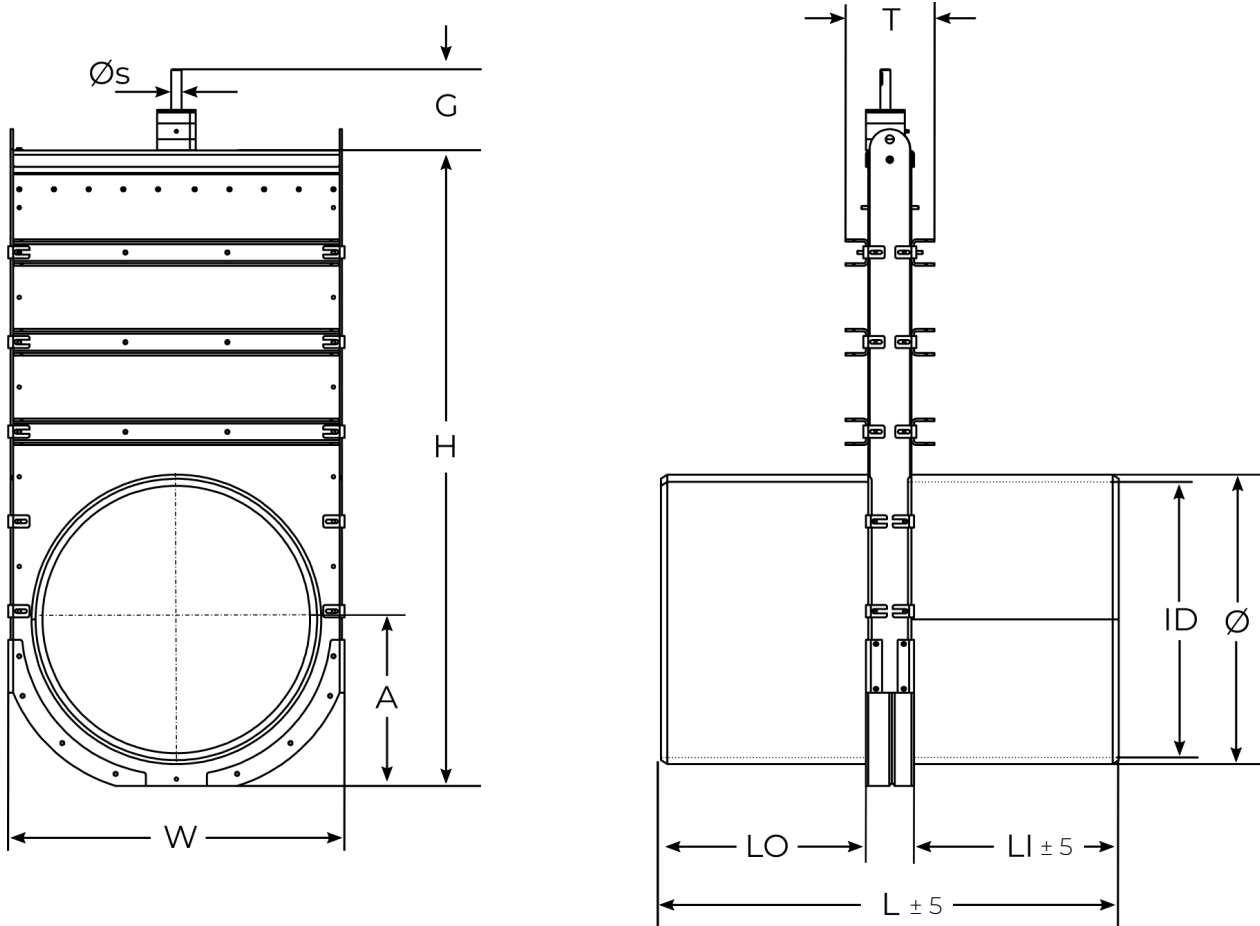
Valve body	PEHD 500
Reinforcement profiles	EN 1.4404, (EN 1.4462)
Valve blade	EN 1.4404, (EN 1.4462)
Spindle	EN 1.4571 (EN 1.4462)
Spindle nut	Tin bronze (Cu2Sn12)
Valve gasket	EPDM (NBR)
Top gasket	EPDM
Bearing:	PEHD 300
Tätningring	NBR

TECHNICAL DATA:

Maximum pressure	NPS/OD 28-48
	contact us
Temperature	-50° C - +80° C



GATE VALVE - SVM-TG NPS/OD 28-48



DIMENSIONS IN [INCHES]

NPS/OD	Ø	ID	W	H	A	G	ØS	L	LO	LI	T	WEIGHT [LBS]	NM	PSI	PIPE
28	27.56	25.81	31.97	61.34	16.06	7,87	0.98	44.17	21.89	22.28	8,27	448	60,5	14.5	SDR26
32	31.5	29.09	35.91	69.61	18.9	7,87	0.98	49.06	24.33	24.72	8,27	582	77,0	14.5	SDR26
36	35.43	32.72	39.84	76.69	20.47	7,87	0.98	53.86	26.69	27.17	8,27	752	97,0	14.5	SDR26
40	39.37	36.36	43.78	85.55	23.62	7,87	1.18	59.45	29.45	30	9,06	1257	70,0	7.5	SDR26
48	47.24	43.63	51.65	100.35	27.56	7,87	1.18	67.24	33.39	33.86	9,84	1519	100,0	7.5	SDR26

Other dimensions on request. Reserves the right to changes.