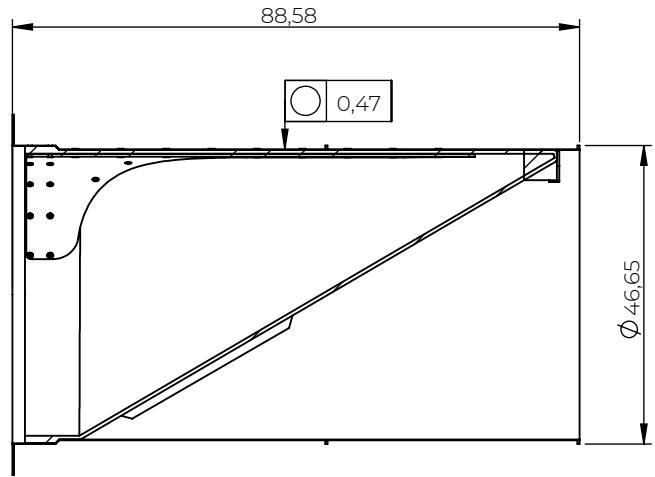
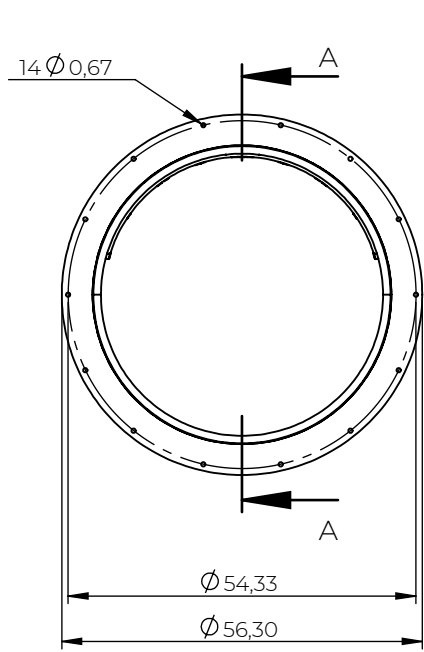
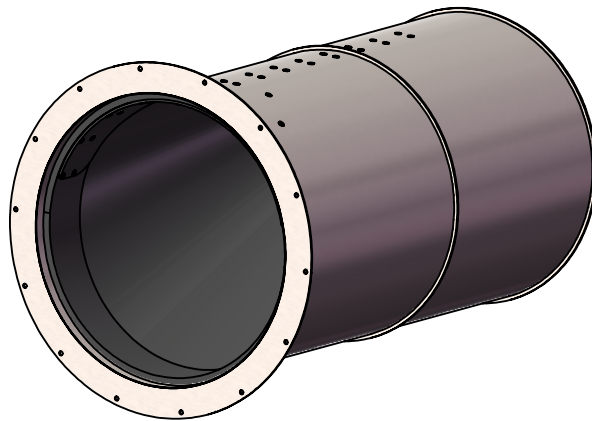


Rev	Note	CreatedBy	Appr.By	Appr.Date
A	Initial release		AE	2019-06-27



SECTION A-A



Designed By AE	Approved By PW	Created Date 2019-01-10	Units [inch]	General Tolerance ISO 13920A	Scale 1:30		
Material EN 1.4301 / EN 1.4404			Comments		Project		
Weight [Lbs] 860	Box Volume [ft ³] 112		Description WaStop NPS 48"				
 www.wapro.com			Article Number WS1185-S-FL		Drawing Number ws1185-s-fl-us	Rev A	Sheet 1 (1)