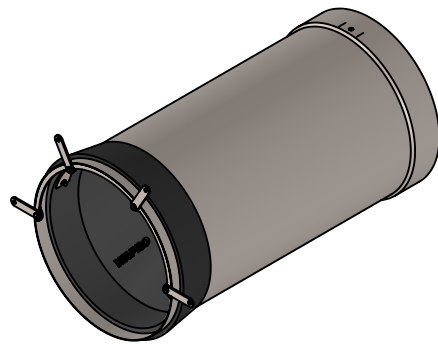
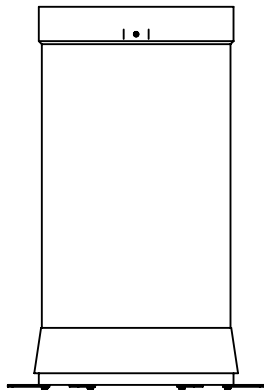
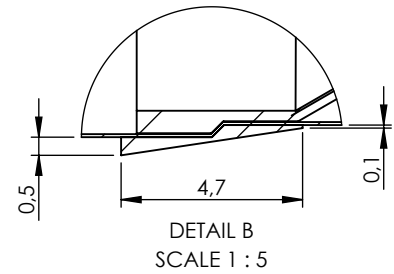
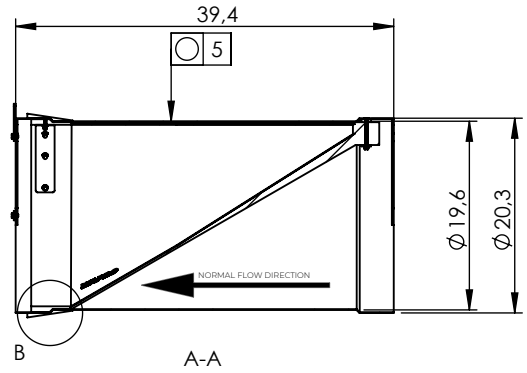
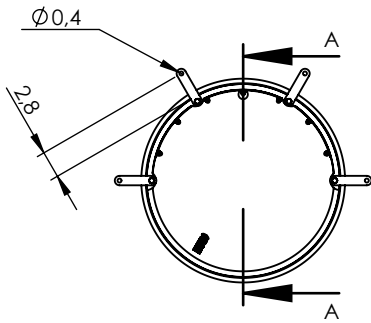
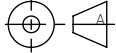



Rev	Note	CreatedBy	Appr.By	Appr.Date
A	Initial release	AE	PW	2021-05-31



© 2021 Wapro AB. This document is subject to copyrights owned by Wapro AB. Any amendments, republication, retransmission, and/or reproduction of all or any part of the document is expressly prohibited, unless the copyright owner of the material has expressly granted its prior written consent. All other rights are reserved.

Designed By PW	Approved By PW	Created Date 2021-02-03	Units [inch]	General Tolerance ISO 13920A	Scale 1:20	 Comments
Material AISI 304/316		Box Volume [ft ³] 82	Description WaStop NPS 21in			
 www.wapro.com			Article Number WS515-S	Drawing Number WS515-s-us	Rev A	Sheet 1 (1)