

## GATE VALVE - SVM-TG DN/OD 110-315

**AREA OF USE:** Sewer and stormwater, process water and for the fishing and agricultural industry. SVM-TG is for one-sided pressure.

### ADVANTAGES WITH WAGATE SVM-TG:

- Can be connected to the pipeline network with coupling, electric coupling, flanges, or welded together in open terrain
- Is designed with full flow and with a self-cleaning pocket, which ensures total closure of the valve blade
- Long lifespan. Low operating and maintenance cost
- The O-ring seal against the valve blade can be replaced in larger valves
- Can be built into the pipeline inside and outside well systems with spindle extensions and protective tubes in PEH
- The valve is suitable for installation in the ground without any form of protection



**OPERATION:** SVM-TG has a non-rising spindle and is operated with a handwheel or with an adapter and extension rod.

Can be used with electric, pneumatic, or hydraulic actuators.

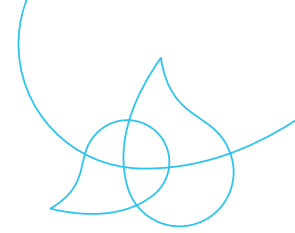
**SPECIAL DESIGN:** With DIN flange or for mounting on a wall and in a chamber.

### MATERIAL:

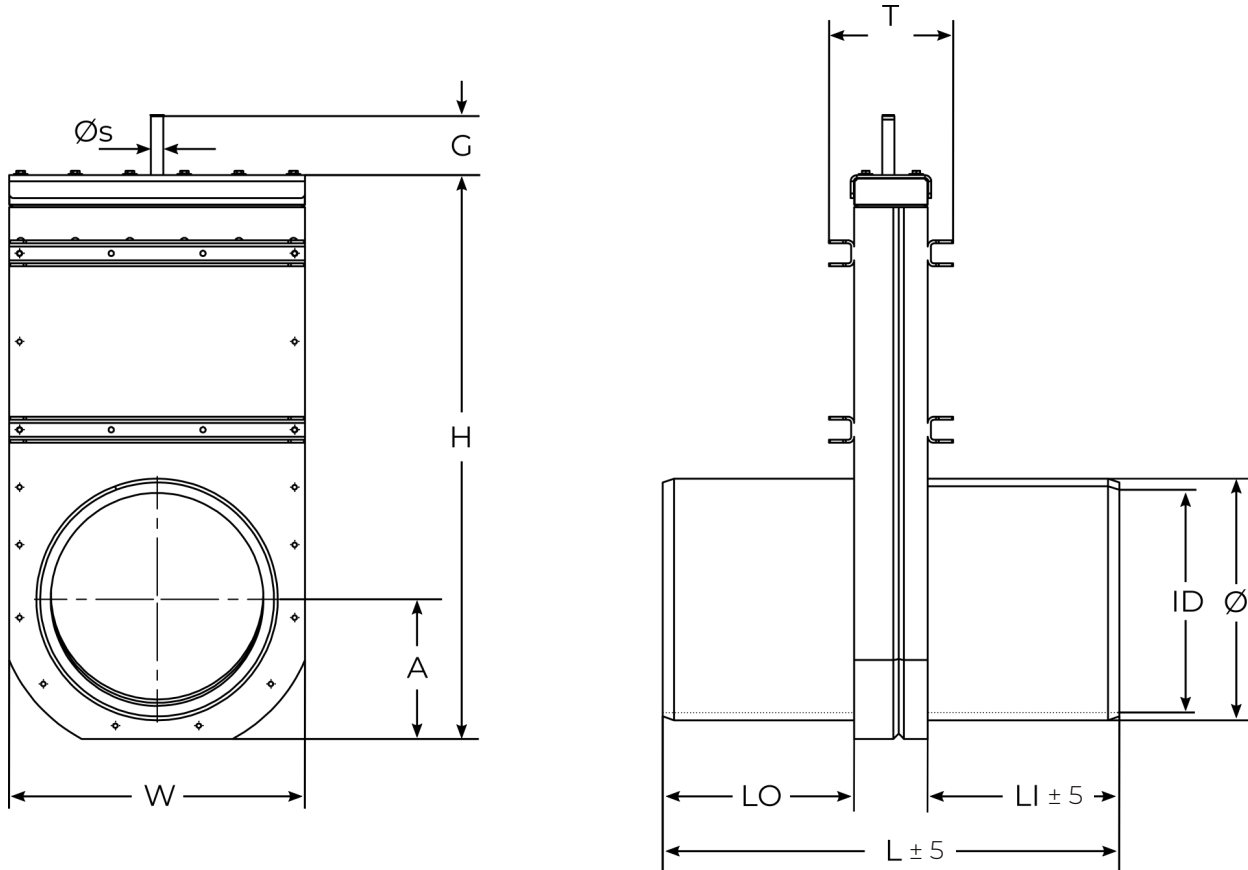
Valve body	PEHD 500
Reinforcement profiles	EN 1.4404, (EN 1.4462)
Valve blade	EN 1.4404, (EN 1.4462)
Spindle	EN 1.4571 (EN 1.4462)
Spindle nut	Tin bronze (Cu2Sn12)
Valve gasket	EPDM (NBR)
Top gasket	EPDM
Bearing	Nylon
Tättningsring	NBR

### TECHNICAL DATA:

Maximum pressure	DN/OD 110-200 – 6 bar
	DN/OD 250-315 – 4 bar
	DN/OD 400-630 – 2 bar
Temperature	-50° C - +80° C



## GATE VALVE - SVM-TG DN/OD 110-630



### DIMENSIONS IN [MM]

DN/OD	Ø	ID	W	H	A	G	ØS	L	LO	LI	T	WEIGHT [KG]	NM	URNS TO OPEN	BAR	PIPE
100	110	96.8	206	382	98	107	16	376	178	198	162	10	6	31	6	SDR17
125	125	110.2	220	414	110	107	16	376	178	198	162	11	7,5	34	6	SDR17
160	160	141	250	480	122	107	16	396	188	208	162	14	12,0	42	6	SDR17
200	200	176.2	285	539	138	107	16	396	188	208	162	19	19,0	51	6	SDR17
250	250	220.4	330	636	158	107	16	596	288	308	162	26	29,0	63	4	SDR17
315	315	277.6	386	735	182	107	16	596	288	308	162	37	46,0	76	4	SDR17
400	400	369.4	486	925	228	107	18	796	388	408	164	56	27,0	99	2	SDR26
450	450	415.6	545	1030	259	107	18	796	388	408	164	67	35,0	113	2	SDR26
500	500	461.8	595	1087	273	107	18	796	393	403	218	89	43,0	125	2	SDR26
560	560	517.2	630	1256	330	180	25	996	493	503	228	146	75,0	112	2	SDR26
630	630	581.8	719	1350	342	200	25	1006	498	508	228	148	95,5	123	2	SDR26

Other dimensions on request. Reserves the right to changes.

Contact: wapro.com +46 (0)454 185 10 sales@wapro.com  
 Contact GB and IE: wapro.com +44 114 308 0123 sales@wapro.com