

GATE VALVE - SVM-TG NPS/OD 4-25

AREA OF USE: Sewer and stormwater, process water and for the fishing and agricultural industry. SVM-TG is for one-sided pressure.

ADVANTAGES WITH WAGATE SVM-TG:

- Can be connected to the pipeline network with coupling, electric coupling, flanges, or welded together in open terrain
- Is designed with full flow and with a self-cleaning pocket, which ensures total closure of the valve blade
- Long lifespan. Low operating and maintenance cost
- The O-ring seal against the valve blade can be replaced in larger valves
- Can be built into the pipeline inside and outside well systems with spindle extensions and protective tubes in PEH
- The valve is suitable for installation in the ground without any form of protection

OPERATION: SVM-TG has a non-rising spindle and is operated with a handwheel or with an adapter and extension rod.

Can be used with electric, pneumatic, or hydraulic actuators.

SPECIAL DESIGN: With DIN flange or for mounting on a wall and in a chamber.

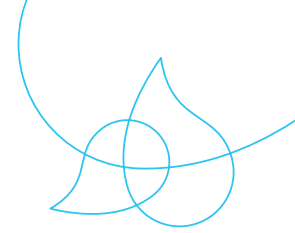


MATERIAL:

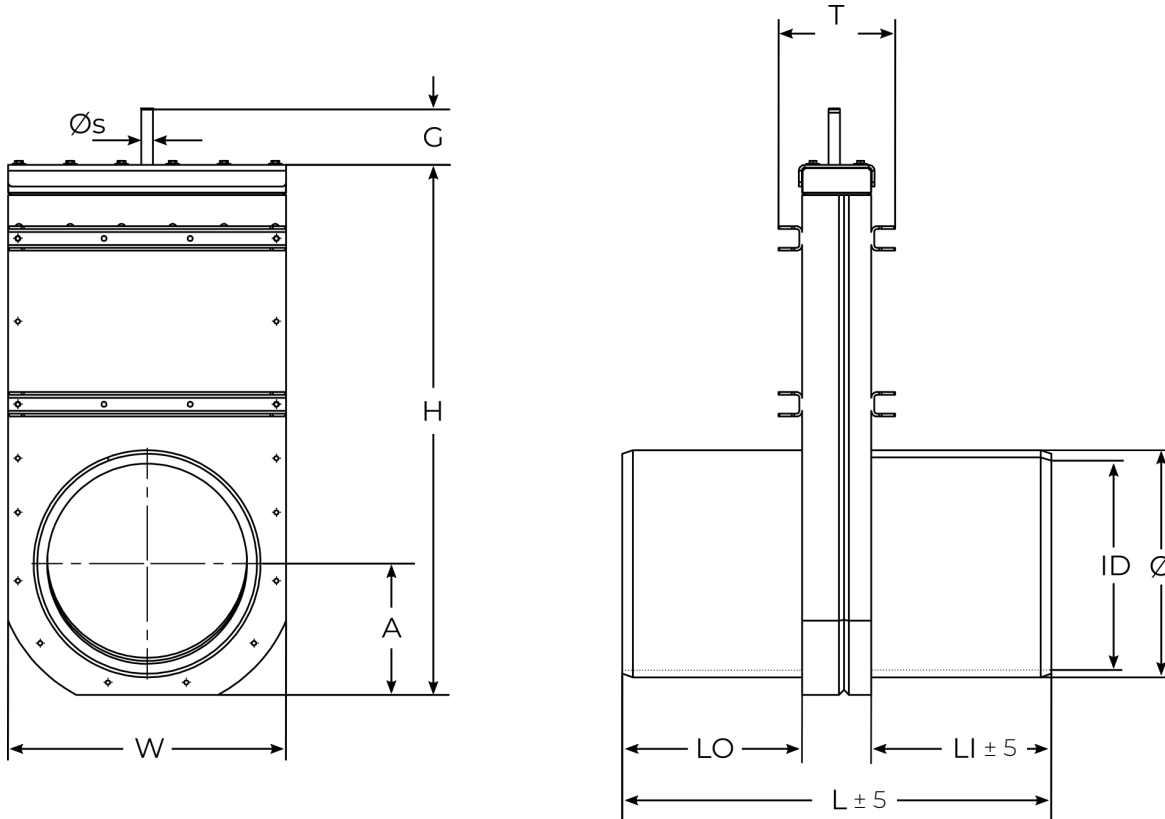
Valve body	PEHD 500
Reinforcement profiles	EN 1.4404, (EN 1.4462)
Valve blade	EN 1.4404, (EN 1.4462)
Spindle	EN 1.4571 (EN 1.4462)
Spindle nut	Tin bronze (Cu2Sn12)
Valve gasket	EPDM (NBR)
Top gasket	EPDM
Bearing:	Nylon
Tätningring	NBR

TECHNICAL DATA:

Maximum pressure	NPS/OD 4-8 – 87 psi
	NPS/OD 10-12 – 58 psi
	NPS/OD 16-25 – 29 psi
Temperature	-50° C - +80° C



GATE VALVE - SVM-TG NPS/OD 4-25



DIMENSIONS IN [INCHES]

NPS/OD	Ø	ID	W	H	A	G	Øs	L	LO	LI	T	WEIGHT [LBS]	NM	TURNS TO OPEN	PSI	PIPE
4	4.33	3.81	8.11	15.04	3.86	4,21	0.63	14.8	7	7.8	6.38	22	6	31	87	SDR17
5	4.92	4.34	8.66	16.3	4.33	4,21	0.63	14.8	7	7.8	6.38	24	7,5	34	87	SDR17
6	6.3	5.55	9.84	18.90	4.8	4,21	0.63	15.6	7.4	8.19	6.38	31	12,0	42	87	SDR17
8	7.87	6.94	11.22	21.22	5.45	4,21	0.63	15.6	7.4	8.19	6.38	42	19,0	51	87	SDR17
10	9.84	8.68	12.99	25.04	6.22	4,21	0.63	23.46	11.34	12.13	6.38	57	29,0	63	58	SDR17
12	12.4	10.93	15.2	28.94	7.17	4,21	0.63	23.46	11.34	12.13	6.38	82	46,0	76	58	SDR17
16	15.75	14.54	19.13	36.42	8.98	4,21	0.71	31.33	15.28	16.06	6.46	123	27,0	99	29	SDR26
18	17.72	16.36	21.46	40.55	10.2	4,21	0.71	31.33	15.28	16.06	6.46	148	35,0	113	29	SDR26
20	19.69	18.18	23.43	42.8	12.99	4,21	0.71	31.33	15.47	15.87	8.58	196	43,0	125	29	SDR26
22	22.05	20.36	24.8	49.45	330	7,09	0.71	39.21	19.41	19.8	8.98	322	75,0	112	29	SDR26
25	24.8	22.91	28.31	53.15	13.46	7,87	0.98	39.61	19.61	20	8.98	326	95,5	123	29	SDR26

Other dimensions on request. Reserves the right to changes.