

GATE VALVE - RVM-TG DN/OD 110-630

AREA OF USE: Surface water, process water, and clean water projects without major impurities, suitable for fish transport. RVM-TG is for two-sided pressure.

ADVANTAGES WITH WAGATE RVM-TG:

- Designed with two lip O-ring seals for tightness on both sides
- Full flow during the closing function
- The top of the valve can be disassembled for inspection if needed. The lip O-ring seal against the steel gate can be replaced in larger valves
- Has a long service life, and can be connected to the pipeline system with a socket, electric socket, flanges, or butt-welded in open terrain
- Features a non-rising stem and is manually operated with a handwheel. Low torque ensures easy valve operation
- Can be installed on the pipeline inside and outside well systems with stem extensions and protective PEH pipes, which are lowered into the top section



OPERATION: Manual, electric actuator, pneumatic, hydraulic.

The valve is suitable for installation in the ground without any form of protection.

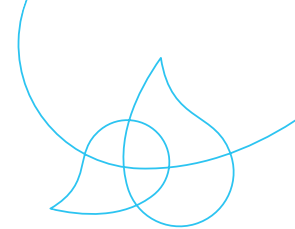
SPECIAL DESIGN: With flange for mounting on walls and in wells.

MATERIAL:

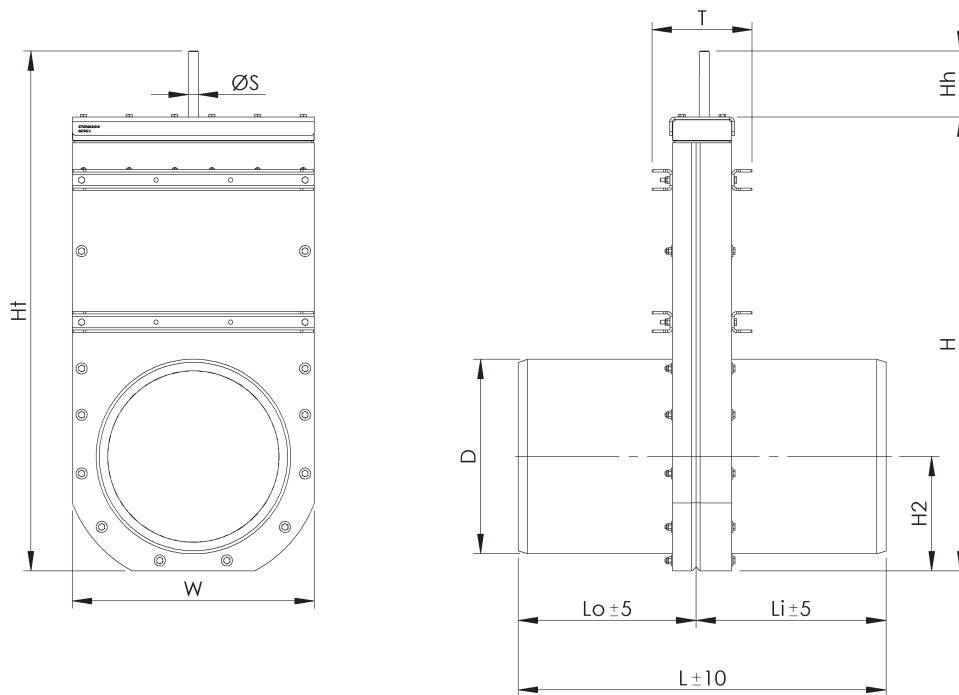
Valve body	PEHD 500
Reinforcement profiles	EN 1.4404, (EN 1.4462)
Valve blade	EN 1.4404, (EN 1.4462)
Spindle	EN 1.4571 (EN 1.4462)
Spindle nut	Zinc-free bronze, resistant to wastewater
Valve gasket	EPDM / VITON
Top gasket	EPDM
Bearing	Nylon
Tätningarring	NBR

TECHNICAL DATA:

Maximum pressure	DN/OD 110-200 – 6 bar
	DN/OD 250-315 – 4 bar
	DN/OD 400-630 – 2 bar
Temperature	-50° C - +80° C



GATE VALVE - RVM-TG DN/OD 110-630



DIMENSIONS IN [MM]

DN,D	W	H	H2	Ht	Hh	ØS	L	LO	LI	T	WEIGHT (KG)	NM	BAR	PIPE
110	209	382	100	490	108	16	376	178	198	162	10	6	6	SDR17
125	223	414	110	522	108	16	376	178	198	162	11	7,5	6	SDR17
160	253	480	122	588	108	16	396	188	208	162	14	12	6	SDR17
200	288	539	138	647	108	16	396	188	208	162	19	19	6	SDR17
250	336	636	163	744	108	16	596	288	308	162	33	29	4	SDR17
315	392	735	186	842	107	16	596	288	308	162	37	46	4	SDR17
400	486	925	236	1032	107	18	796	388	408	164	38	27	2	SDR26
450	545	1031	259	1138	107	18	796	388	408	164	67	35	2	SDR26
500	595	1087	280	1194	107	18	796	393	403	218	99	43	2	SDR26
560	638	1256	330	1462	206	25	996	493	503	228	155	75	2	SDR26
630	719	1350	342	1550	200	25	1006	498	508	228	159	95,5	2	SDR26

Other dimensions on request. Reserves the right to changes.