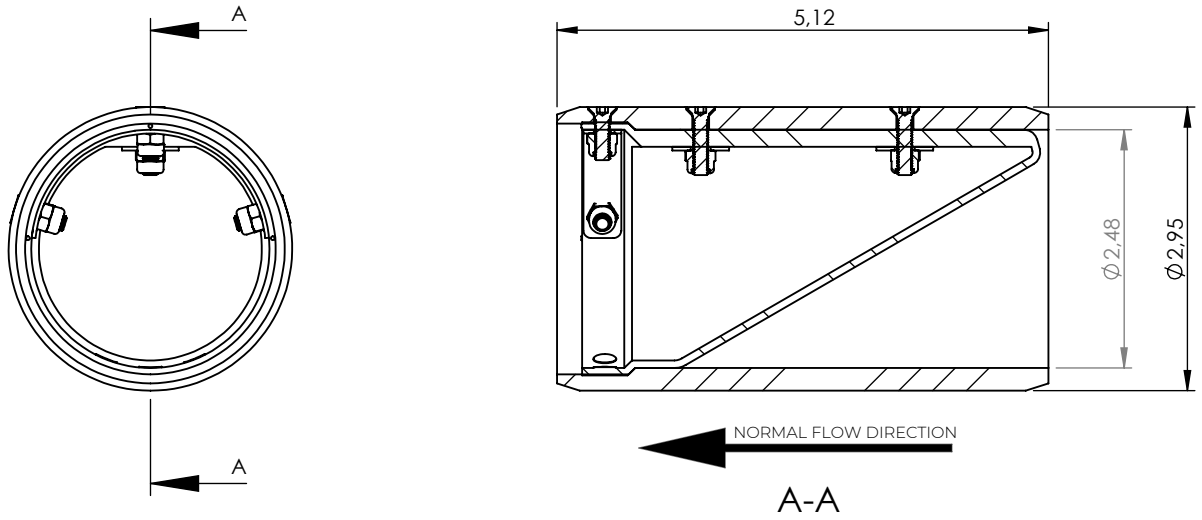
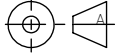



Rev	Note	CreatedBy	Appr.By	Appr.Date
A	Initial release		AE	2020-06-25



© 2018 Wapro AB. This document is subject to copyrights owned by Wapro AB. Any amendments, republication, retransmission, and/or reproduction of all or any part of the document is expressly prohibited, unless the copyright owner of the material has expressly granted its prior written consent. All other rights are reserved.

Designed By PM	Approved By PM	Created Date 2012-05-08	Units [inch]	General Tolerance SS-ISO 2768-1 m	Scale 1:2	 Comments	
Material PVC		Box Volume [ft ³] 0.026	Description WaStop 3" PVC				
Weight [Lbs] 0.42			Article Number WS75PVC-S		Drawing Number ws75pvc-s-us	Rev A	Sheet 1 (1)
 www.wapro.com							