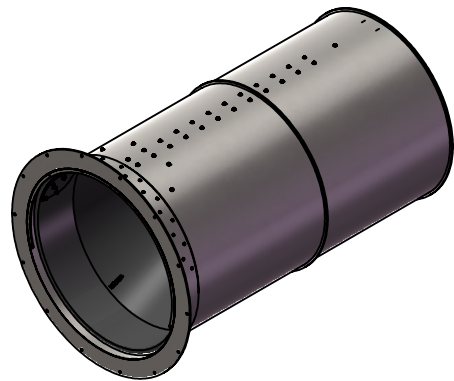
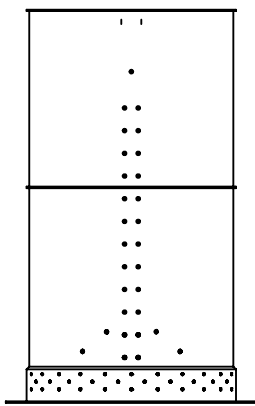
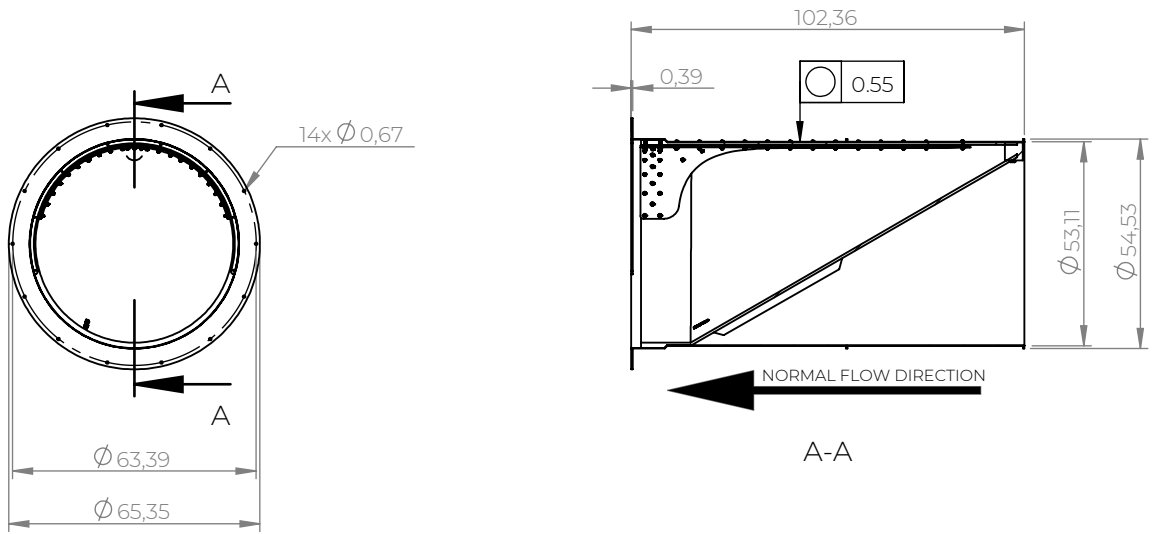


Rev	Note	CreatedBy	Appr.By	Appr.Date
A	Initial release	PM		



Designed By PM	Approved By PM	Created Date 2015-08-19	Units [inch]	General Tolerance SS-ISO 2768-1 m	Scale 1:50	
Material EN 1.4301 / EN 1.4404		Weight [Lbs] 1240	Box Volume [ft³] 7.3	Comments Project		
 www.wapro.com			Description WaStop NPS 56" Flange			
Article Number WS1385-S-FL		Drawing Number ws1385-s-fl-us		Rev A	Sheet 1 (1)	

© 2018 Wapro AB. This document is subject to copyrights owned by Wapro AB. Any amendments, republication, retransmission, and/or reproduction of all or any part of the document is expressly prohibited, unless the copyright owner of the material has expressly granted its prior written consent. All other rights are reserved.