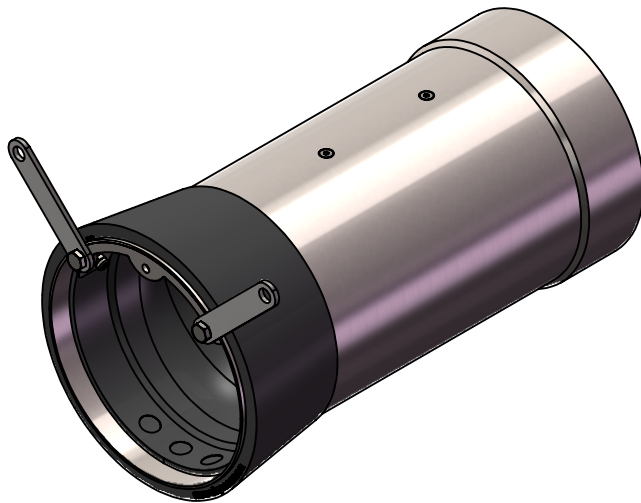
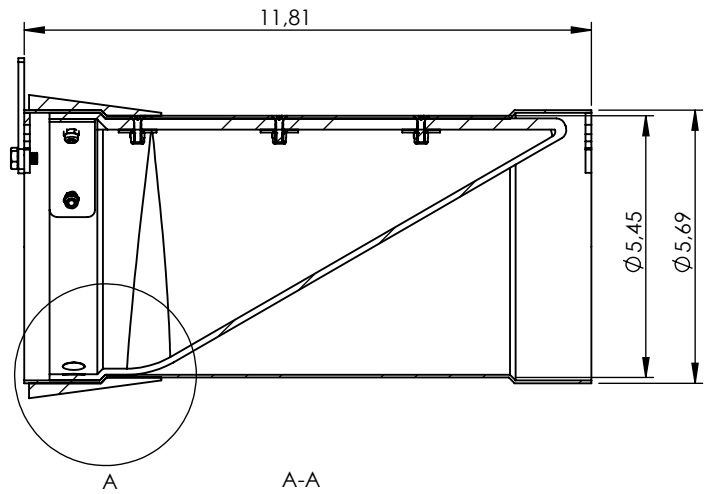
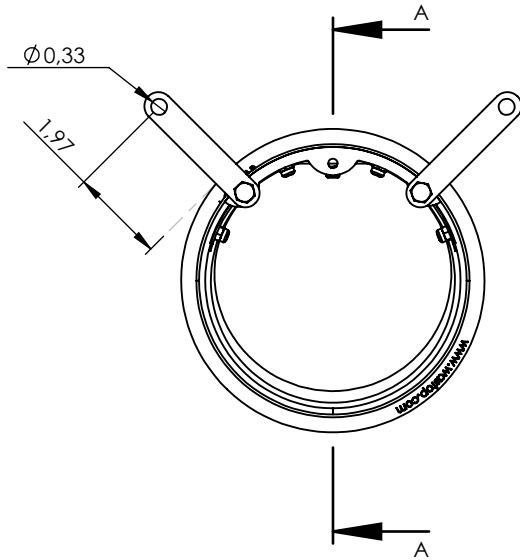
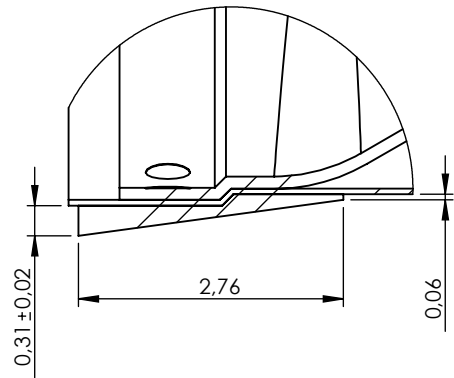
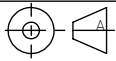



Rev	Note	CreatedBy	Appr.By	Appr.Date
A	Initial release	FG	PW	2019-12-03



DETAIL A
SCALE 1 : 2



Designed By FG	Approved By PW	Created Date 2019-12-03	Units [inch]	General Tolerance ISO 13920A	Scale 1:4	 Comments
Material EN 1.4301/ EN1.4404			Project			
Weight [Lbs] 1.5	Box Volume [ft ³] 0.28		Description WaStop NPS 6"			
 www.wapro.com			Article Number WS146-S	Drawing Number ws146-s-us	Rev A	Sheet 1 (1)