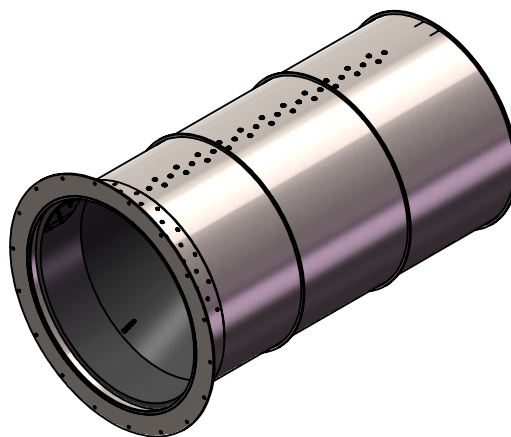
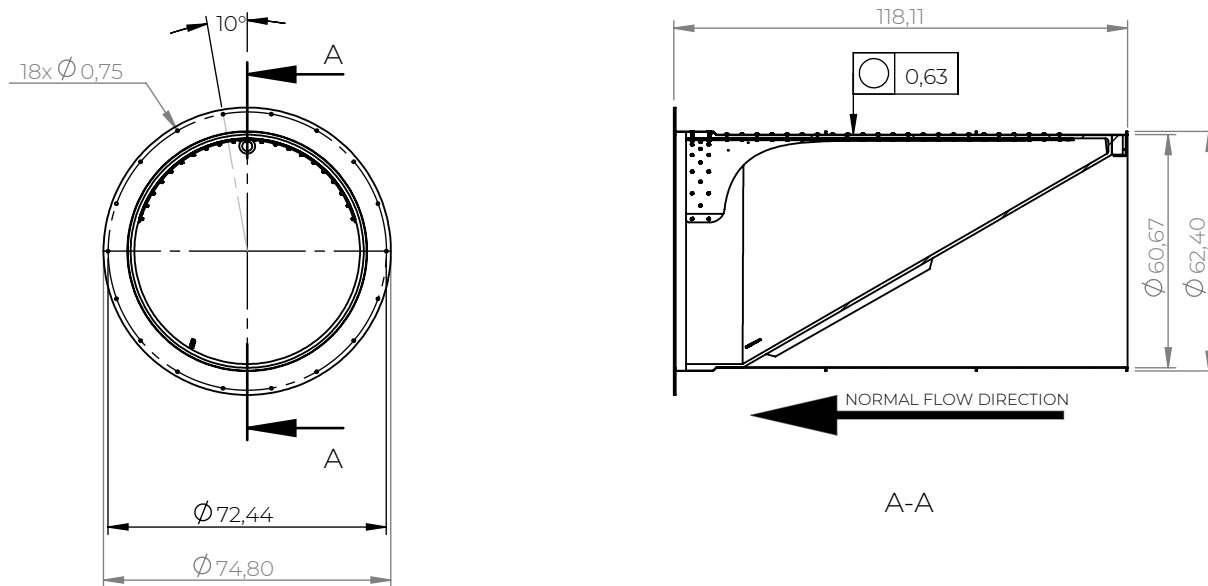
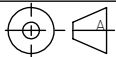



Rev	Note	CreatedBy	Appr.By	Appr.Date
A	Initial release		FG	2020-05-27



Designed By PW	Approved By FG	Created Date 2020-05-26	Units [inch]	General Tolerance ISO 13920A	Scale 1:50	 Comments
Material EN 1.4301 / EN 1.4404			Project			
Weight [Lbs] 1550	Box Volume [ft <sup>3</sup> ] 365		Description WaStop NPS 64" Flange outlet			
 www.wapro.com			Article Number WS1585-S-FL	Drawing Number ws1585-s-fl-us	Rev A	Sheet 1 (1)

© 2018 Wapro AB. This document is subject to copyrights owned by Wapro AB. Any amendments, republication, retransmission, and/or reproduction of all or any part of the document is expressly prohibited, unless the copyright owner of the material has expressly granted its prior written consent. All other rights are reserved.