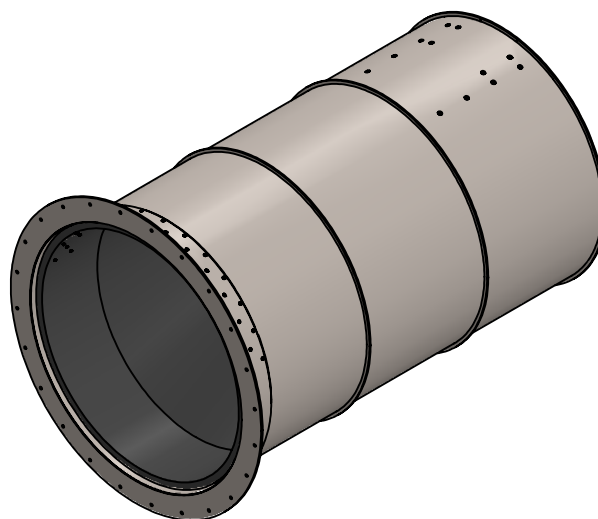
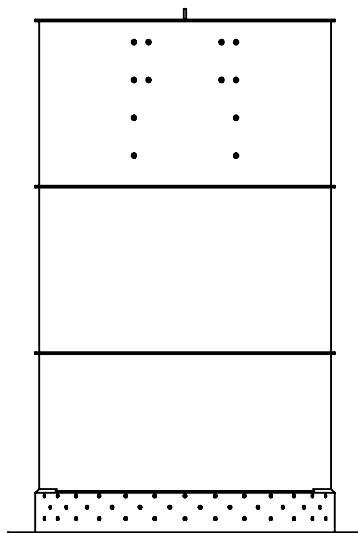
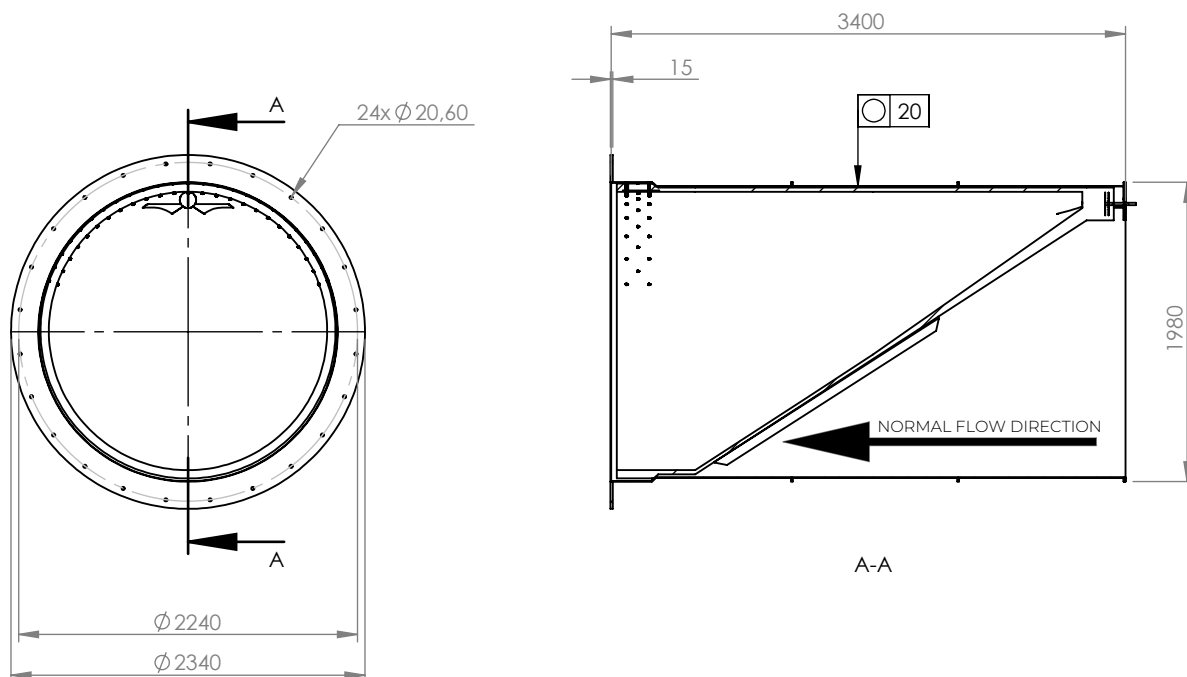


Rev	Note	CreatedBy	Appr.By	Appr.Date
A	Initial release	AE	FG	2020-11-30



© 2018 Wapro AB. This document is subject to copyrights owned by Wapro AB. Any amendments, republication, retransmission, and/or reproduction of all or any part of the document is expressly prohibited, unless the copyright owner of the material has expressly granted its prior written consent. All other rights are reserved.

Designed By AE	Approved By FG	Created Date 2020-11-30	Units [mm]	General Tolerance ISO 13920A	Scale 1:50	
Material EN1.4301/EN1.4404			Project		Comments	
Weight [kg] 1281.25		Box Volume [m³]		Description WaStop DN2000		
 www.wapro.com			Flange outlet			
			Article Number WS1980-S-FL	Drawing Number WS1980-s-fl-en	Rev A	Sheet 1 (1)