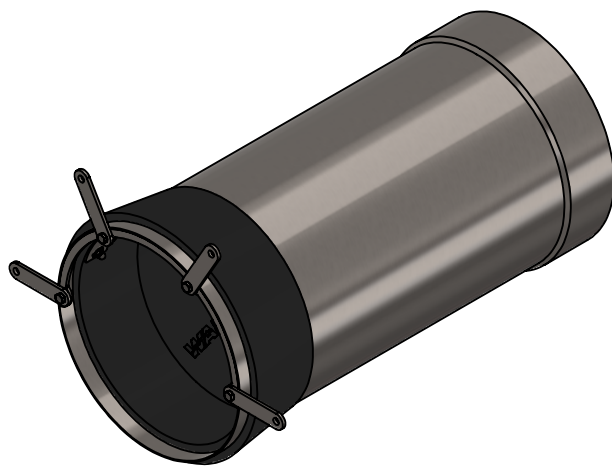
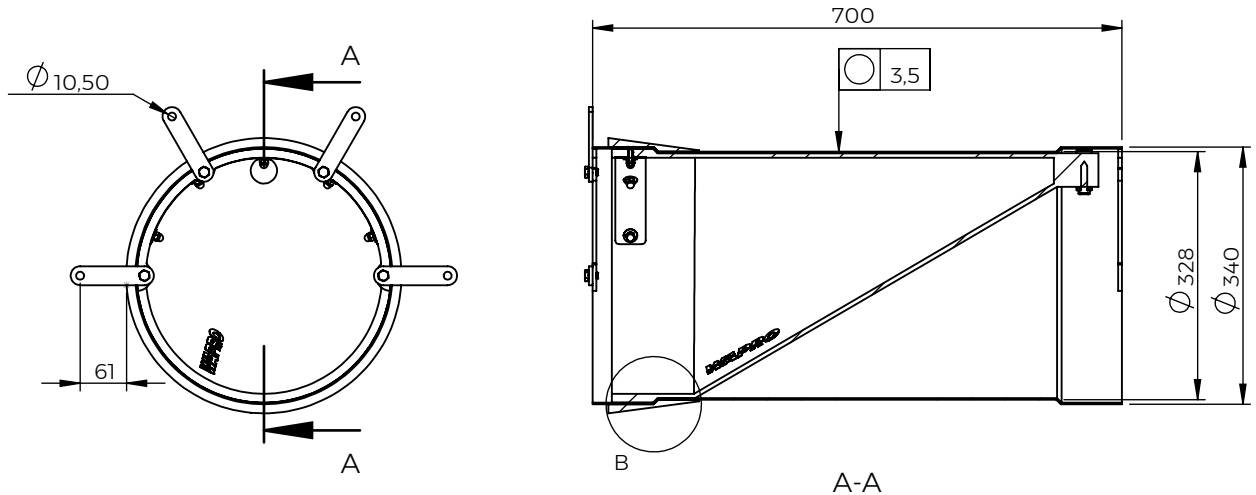


Rev	Note	CreatedBy	Appr.By	Appr.Date
B	Initial release	PW	AE	2019-12-06



DETAIL B
SCALE 1:2

Designed By PM	Approved By AE	Created Date 2015-08-07	Units [mm]	General Tolerance ISO 13920A	Scale 1:10	
Material EN 1.4404			Comments		Project	
Weight [kg] 16,65	Box Volume [m³] 0,08		Description WaStop DN350			
 www.wapro.com			Article Number WS340-S	Drawing Number ws340-s-en	Rev B	Sheet 1 (1)

© 2018 Wapro AB. This document is subject to copyrights owned by Wapro AB. Any amendments, republication, retransmission, and/or reproduction of all or any part of the document is expressly prohibited, unless the copyright owner of the material has expressly granted its prior written consent. All other rights are reserved.