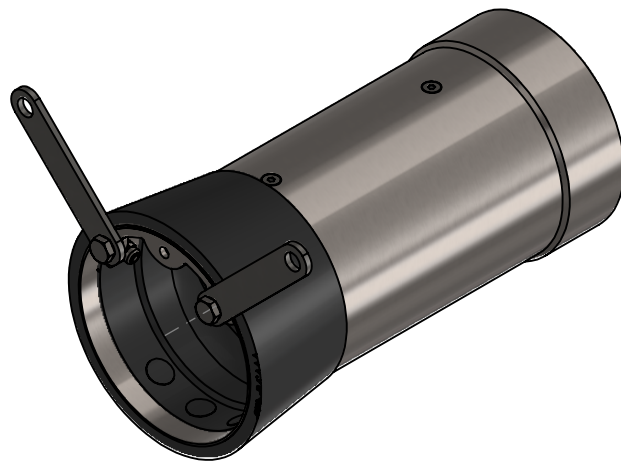
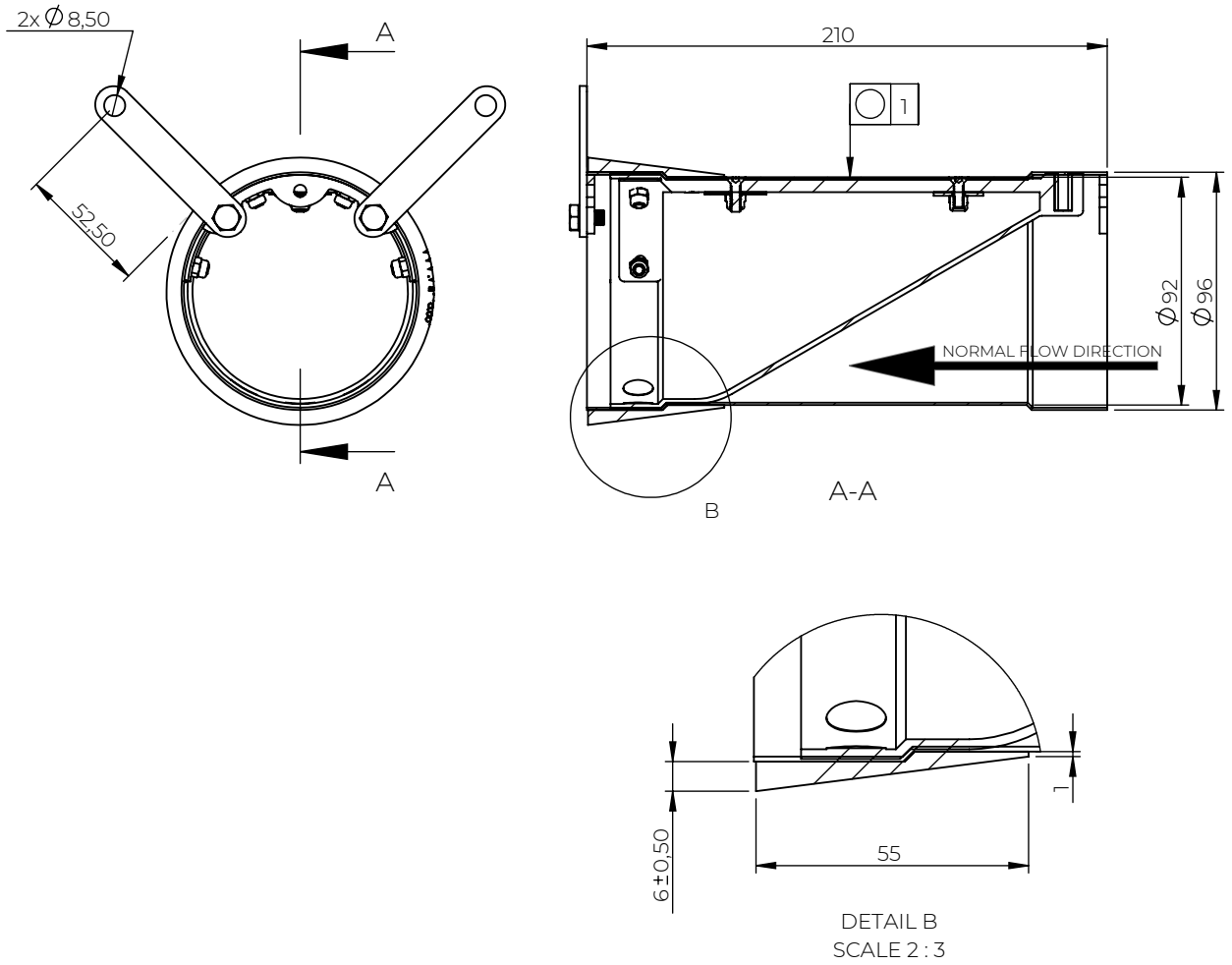



Rev	Note	CreatedBy	Appr.By	Appr.Date
A	Initial release		AE	2019-05-28



© 2018 Wapro AB. This document is subject to copyrights owned by Wapro AB. Any amendments, republication, retransmission, and/or reproduction of all or any part of the document is expressly prohibited, unless the copyright owner of the material has expressly granted its prior written consent. All other rights are reserved.

Designed By PW	Approved By PW	Created Date 2020-12-01	Units [mm]	General Tolerance ISO 13920A	Scale 1:3	
Material EN1.4404	Weight [kg] 0.74	Box Volume [m³]	Comments		Project	
 <a href="http://www.wapro.com">www.wapro.com</a>			Description WaStop DN100			
			Article Number WS97-S	Drawing Number ws97-s-en	Rev A	Sheet 1 (1)