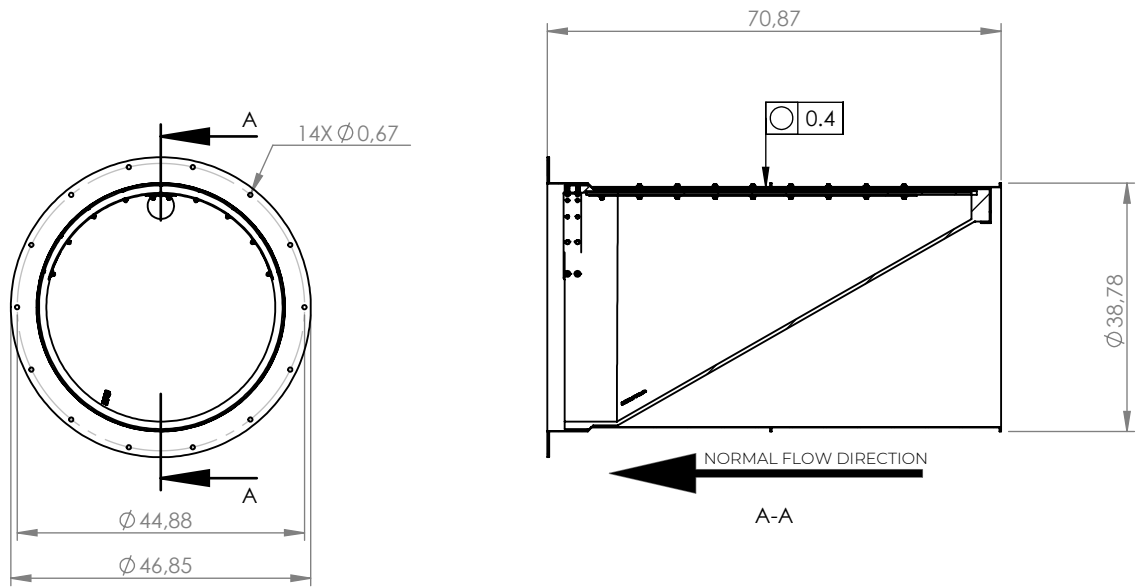
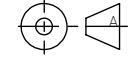



Rev	Note	CreatedBy	Appr.By	Appr.Date
A	Initial release	AE	FG	2020-02-07



Designed By AE	Approved By	Created Date 2020-02-06	Units [inch]	General Tolerance ISO 13920A	Scale 1:30	 Comments
Material EN 1.4301 / EN 1.4404			Project			
Weight [Lbs] 332	Box Volume [ft³] 87		Description WaStop Flange outlet NPS 40"			
 www.wapro.com			Article Number ws985-s-fl	Drawing Number ws985-s-fl-us	Rev A	Sheet 1 (1)

© 2018 Wapro AB. This document is subject to copyrights owned by Wapro AB. Any amendments, republication, retransmission, and/or reproduction of all or any part of the document is expressly prohibited, unless the copyright owner of the material has expressly granted its prior written consent. All other rights are reserved.