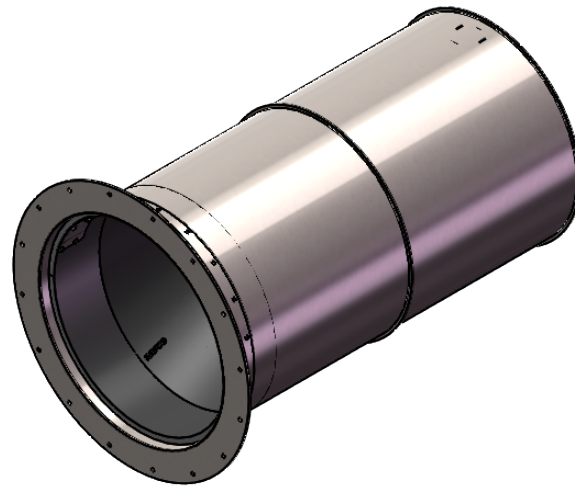
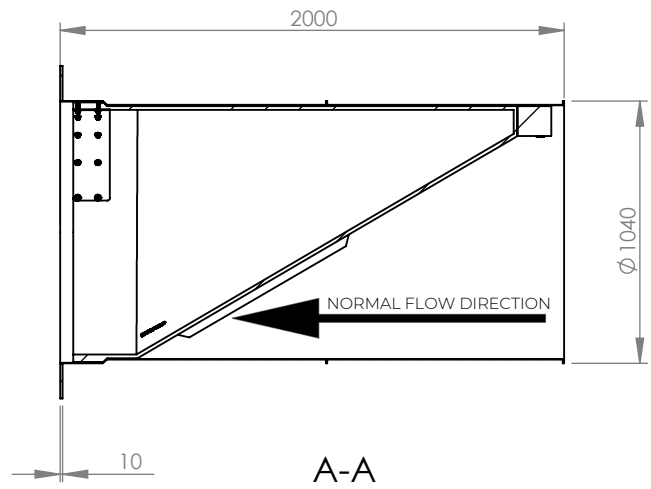
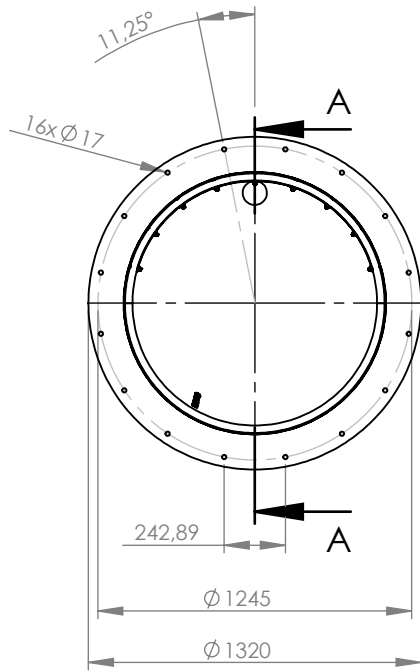


Rev	Note	CreatedBy	Appr.By	Appr.Date
A	Initial release	PW	FG	2020-09-23



© 2018 Wapro AB. This document is subject to copyrights owned by Wapro AB. Any amendments, republication, retransmission, and/or reproduction of all or any part of the document is expressly prohibited, unless the copyright owner of the material has expressly granted its prior written consent. All other rights are reserved.

Designed By PW	Approved By FG	Created Date 2020-06-01	Units [mm]	General Tolerance ISO 13920A	Scale 1:30	
Material EN 1.4301 / EN 1.4404			Project		Comments	
Weight [kg] 240,21		Box Volume [m³] 3,2	Description WaStop DN1050 Flange outlet			
 www.wapro.com			Article Number WS1040-S-FL	Drawing Number ws1040-s-fl-en	Rev 2020-09-23	Sheet (1)