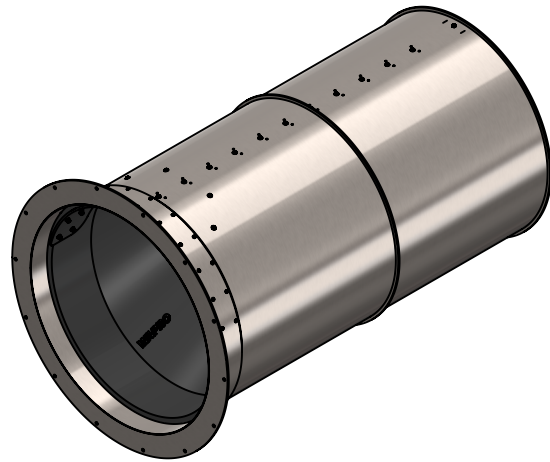
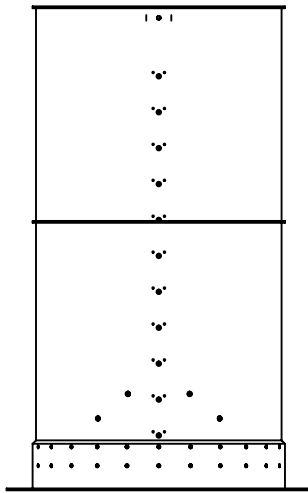


A-A



© 2021 Wapro AB. This document is subject to copyrights owned by Wapro AB. Any amendments, republication, retransmission, and/or reproduction of all or any part of the document is expressly prohibited, unless the copyright owner of the material has expressly granted its prior written consent. All other rights are reserved.

Designed By PW	Approved By FG	Created Date 2023-02-06	Units [mm]	General Tolerance	Scale 1:40		
Material EN1.4301/EN1.4404			Comment			Updated 2024-11-27	
Weight [kg] 559.92		Box Volume [m³]	Description WaStop DN1350 Flange outlet				
 www.wapro.com			Article Number WS1335-S-FL	Drawing Number ws1335-s-fl_en	Rev A	Sheet 1 (1)	