

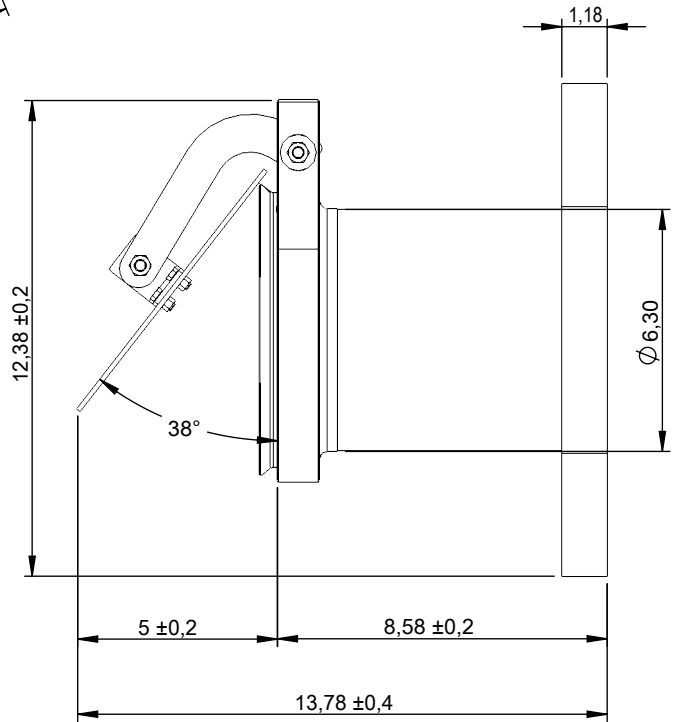
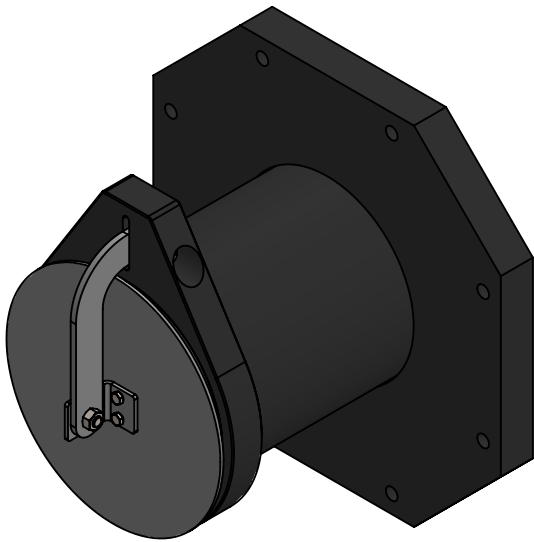
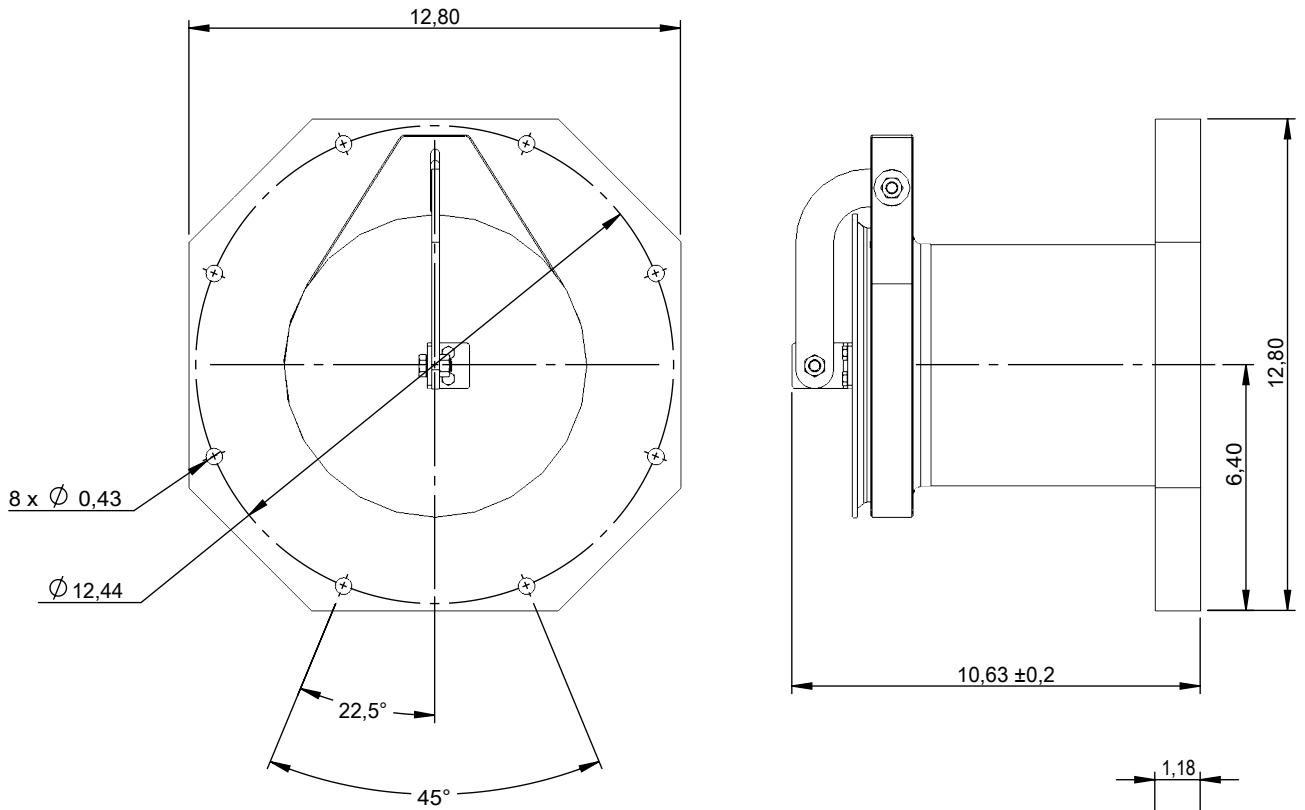
NOT FOR PRODUCTION

© 2022 Wapro AB. This document is subject to copyrights owned by Wapro AB. Any amendments, republication, retransmission, and/or reproduction of all or any part of the document is expressly prohibited, unless the copyright owner of the material has expressly granted its prior written consent. All other rights are reserved.

Rev	Note	CreatedBy	Appr. By	Appr. Date
-----	------	-----------	----------	------------

Initial release

BL



Designed By BL	Approved By NLD	Created Date 2025-01-31	Units [inch]	General Tolerance Project	Scale 1:5	
Material			Comments			
Weight [Lbs] 9	Box Volume [ft ³]		Description WaFlap Flap valve KVF NPS/OD 6 AISI 316			
 www.wapro.com			Article Number V85176160	Drawing Number KVF_Ø160_US	Rev	Sheet 1 (1)