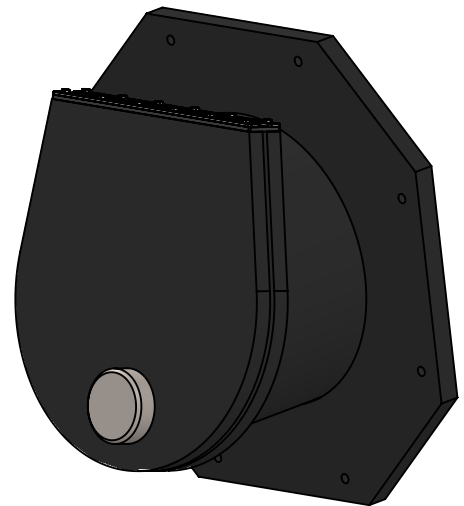
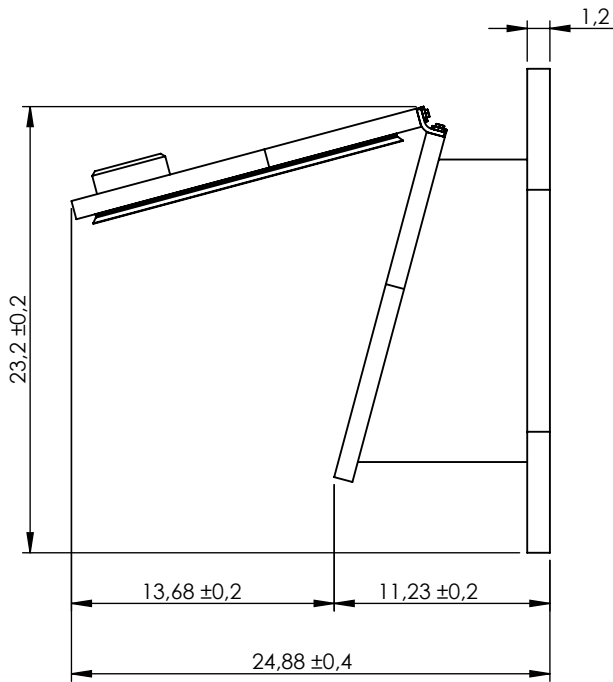
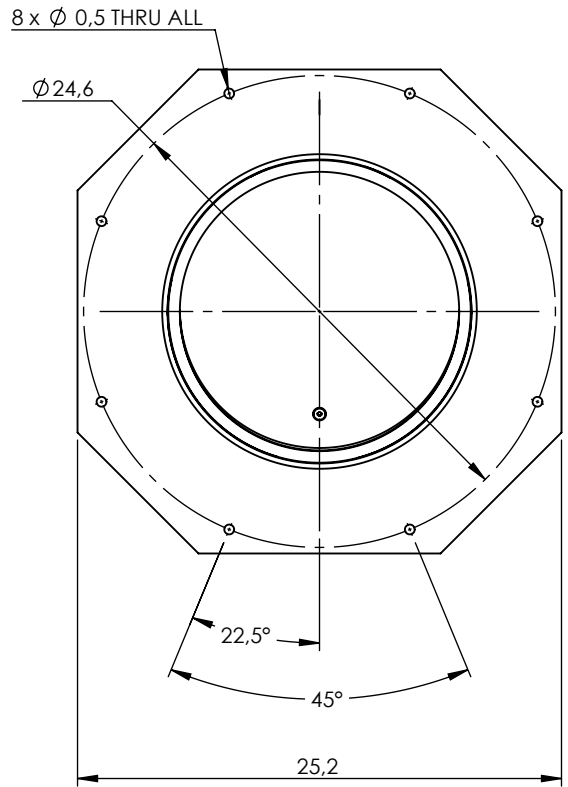
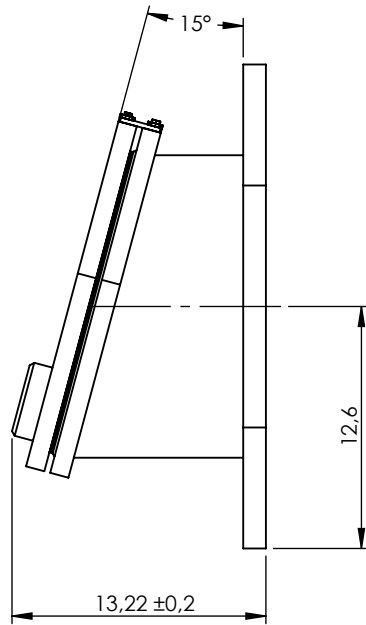


© 2022 Wapro AB. This document is subject to copyrights owned by Wapro AB. Any amendments, republication, retransmission, and/or reproduction of all or any part of the document is expressly prohibited, unless the copyright owner of the material has expressly granted its prior written consent. All other rights are reserved.



Designed By RI	Approved By RI	Created Date 2025-01-21	Units [inch]	General Tolerance	Scale 1:10		
Material PEHD, Aisi 316/EN 1.4404 and EPDM			Comment			Updated 24-02-2025	
Weight [Lbs] 42.5		Box Volume [ft ³]	Description WaFlap Flap valve KVF NPS/OD 16" AISI 316 WaFlap Flap valve KVF DN/OD 400 AISI 316				
 www.wapro.com			Article Number V85176400	Drawing Number KVF Ø400_US	Rev	Sheet 1 (1)	