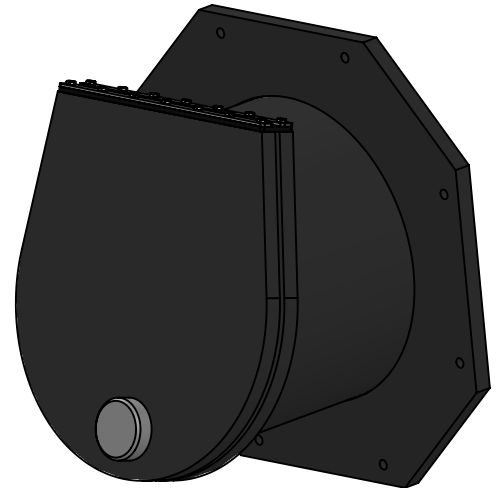
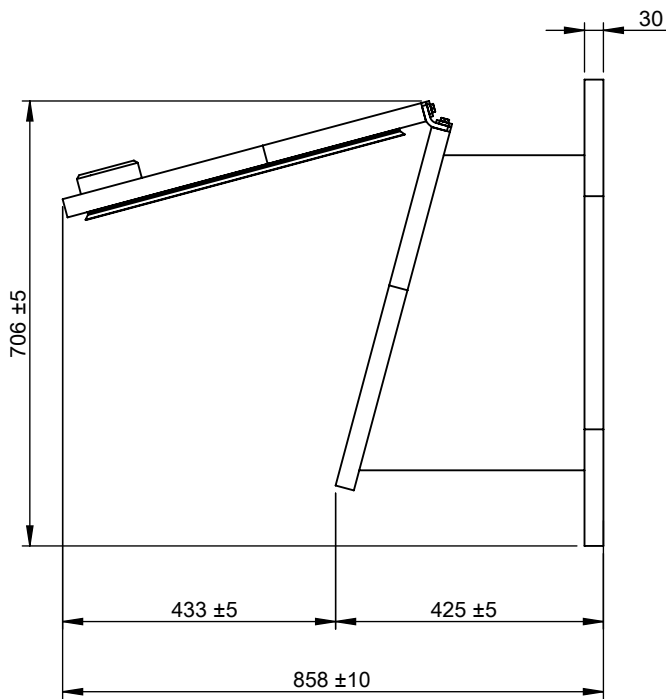
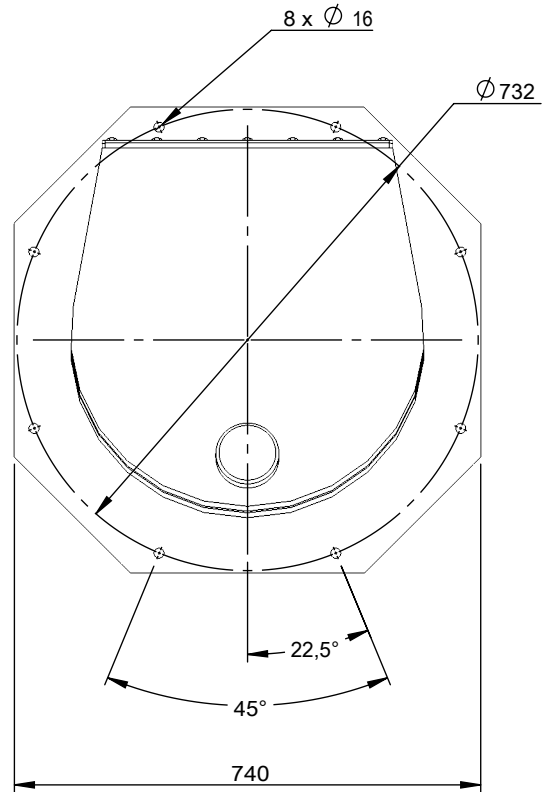
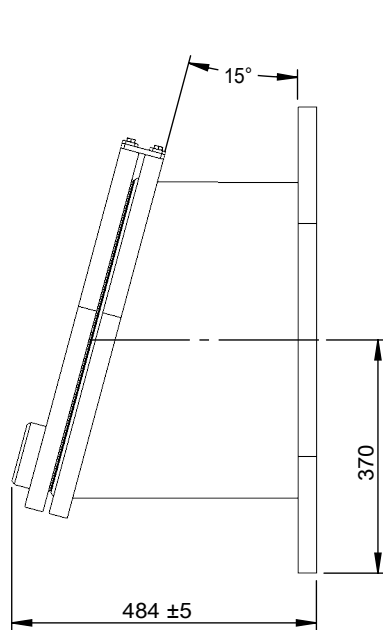


© 2021 Wapro AB. This document is subject to copyrights owned by Wapro AB. Any amendments, republication, retransmission, and/or reproduction of all or any part of the document is expressly prohibited, unless the copyright owner of the material has expressly granted its prior written consent. All other rights are reserved.



Designed By <b>BL</b>	Approved By <b>BL</b>	Created Date <b>2024-01-22</b>	Units [mm]	General Tolerance	Scale 1:12	
Material			Comment			Updated <b>26-02-2025</b>
Weight [kg] <b>30.42</b>		Box Volume [m³]	Description <b>WaFlap Kontraklap KVF DN/OD 500 AISI 316</b>			
 <a href="http://www.wapro.com">www.wapro.com</a>			Article Number <b>V85176500</b>	Drawing Number <b>KVF Ø500_EN</b>	Rev	Sheet <b>1 (1)</b>