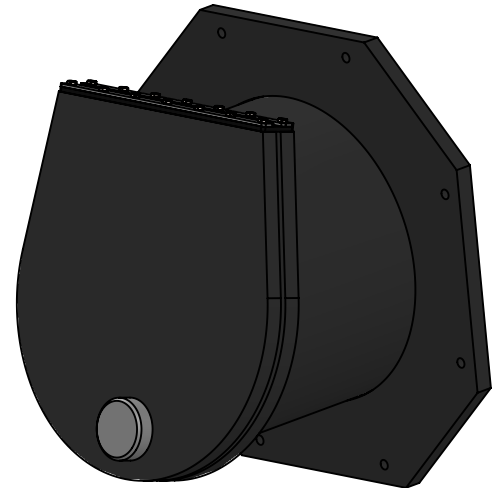
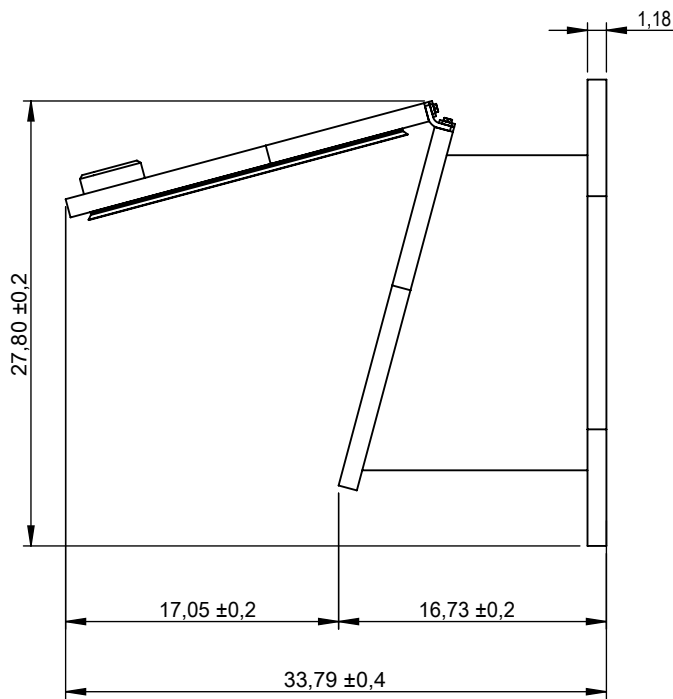
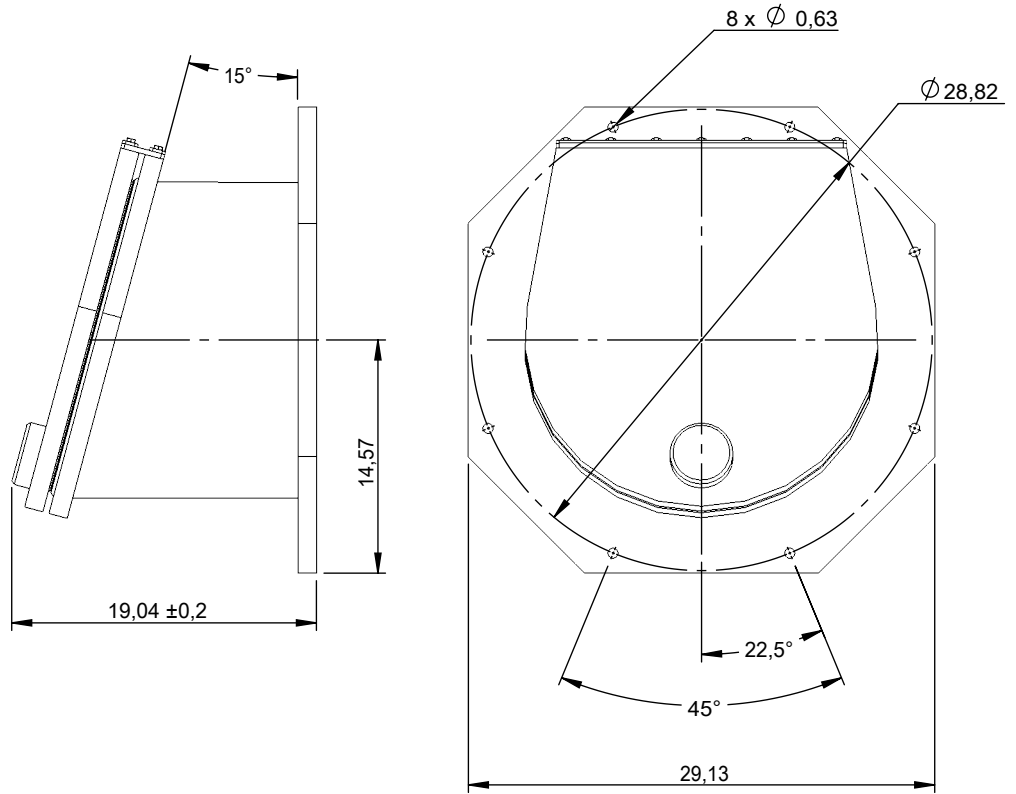


© 2022 Wapro AB. This document is subject to copyrights owned by Wapro AB. Any amendments, republication, retransmission, and/or reproduction of all or any part of the document is expressly prohibited, unless the copyright owner of the material has expressly granted its prior written consent. All other rights are reserved.



Designed By BL	Approved By BL	Created Date 2024-01-22	Units [inch]	General Tolerance	Scale 1:12	
Material			Comment			Updated 26-02-2025
Weight [Lbs] 59,5		Box Volume [ft ³]	Description WaFlap Flap valve KVF NPS/OD 20" AISI 316			
 www.wapro.com			Article Number V85176500	Drawing Number KVF Ø500_US	Rev	Sheet 1 (1)