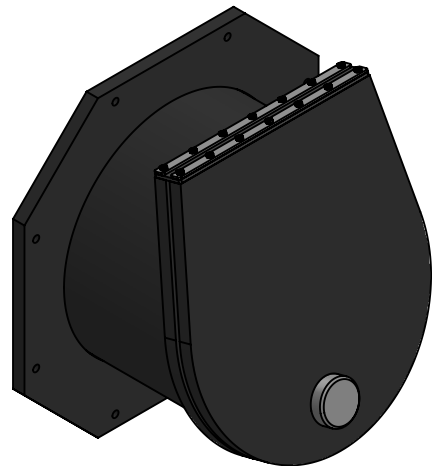
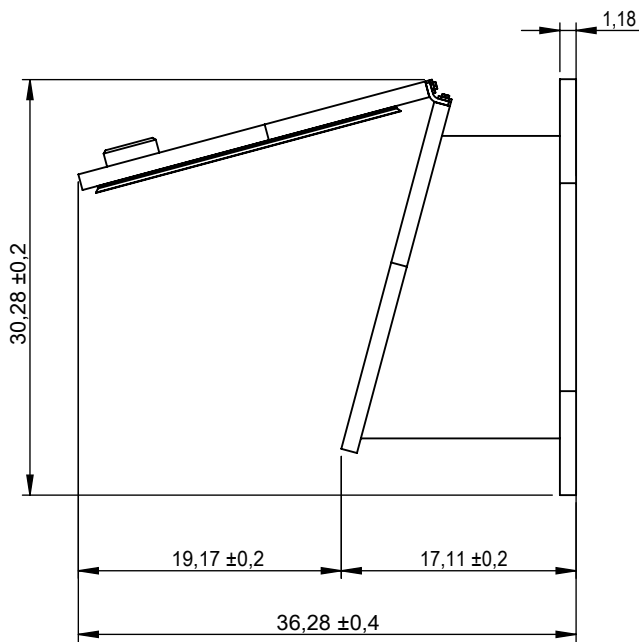
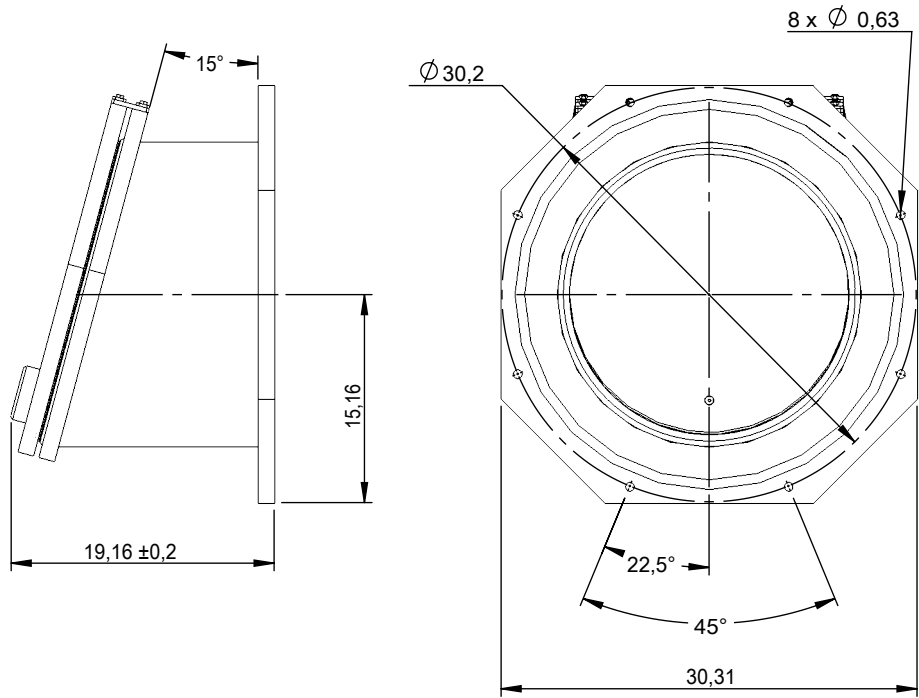


© 2022 Wapro AB. This document is subject to copyrights owned by Wapro AB. Any amendments, republication, retransmission, and/or reproduction of all or any part of the document is expressly prohibited, unless the copyright owner of the material has expressly granted its prior written consent. All other rights are reserved.



| | | | | | | |
|--|-------------------------------|----------------------------|--|-------------------------------|---------------|-----------------------|
| Designed By BL | Approved By BL | Created Date 2025-02-26 | Units [inch] | General Tolerance | Scale 1:14 | |
| Material | | | Comment | | | Updated 26-02-2025 |
| Weight [Lbs] 74,6 | Box Volume [ft ³] | | Description WaFlap Flap valve KVF NPS/OD 22" AISI 316 | | | |
| www.wapro.com | | | Article Number V85176560 | Drawing Number KVF Ø560_US | Rev | Sheet 1 (1) |
| | | | | | | |