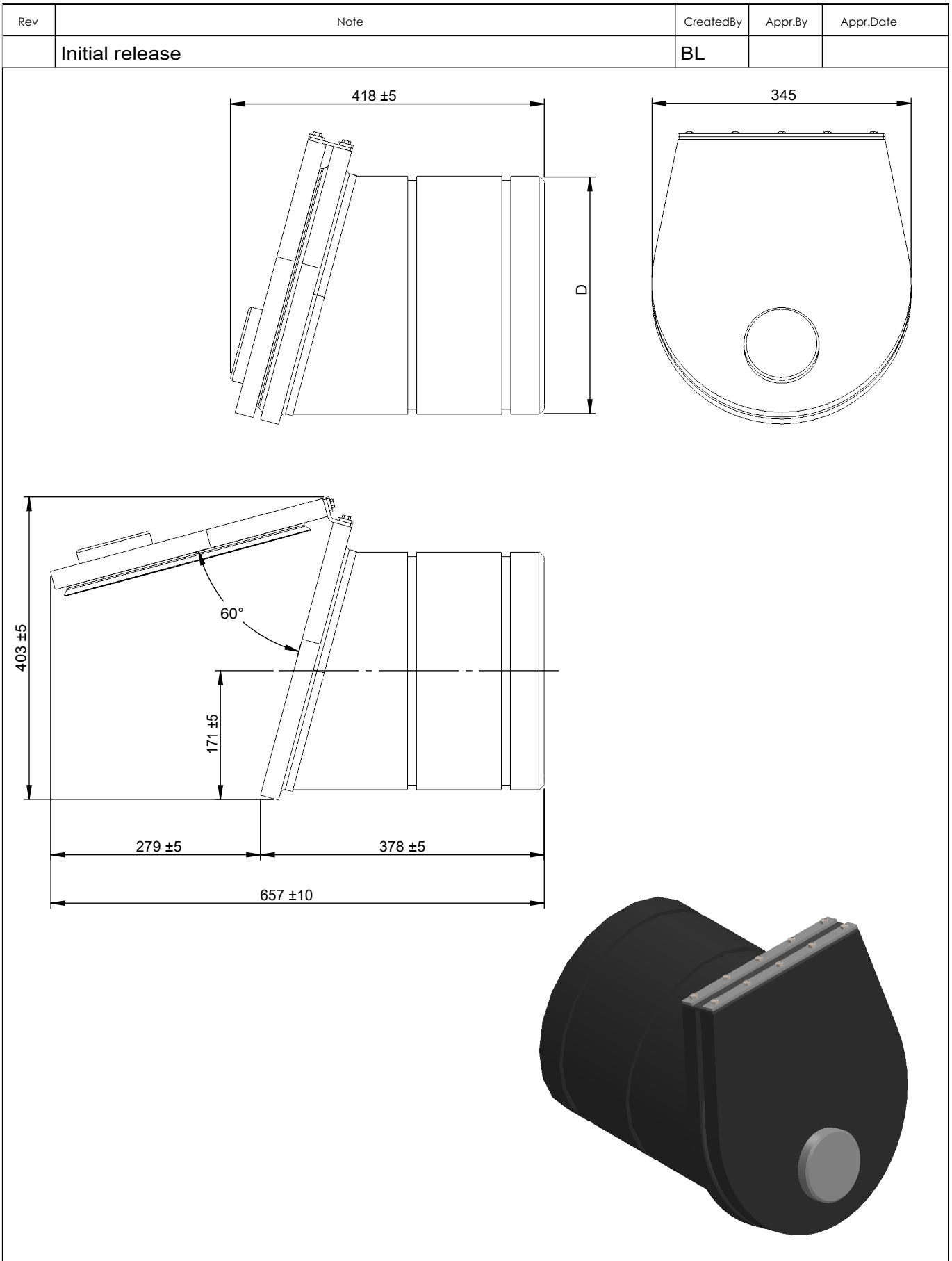


NOT FOR PRODUCTION

©2022 Wapro AB. This document is subject to copyrights owned by Wapro AB. Any amendments, republication, retransmission, and/or reproduction of all or any part of the document is expressly prohibited, unless the copyright owner of the material has expressly granted its prior written consent. All other rights are reserved.



Designed By <b>BL</b>	Approved By <b>BL</b>	Created Date 2024-11-21	Units [mm]	General Tolerance	Format A4	Scale 1:7	
Material			Comments				Project <b>PN100443</b>
Weight [kg] <b>13.53</b>		Box Volume [m³]		Description <b>WaFlap Kontraklap KVI DN/OD 315 AISI 316</b>			
 www.wapro.com			Article Number <b>V85276315</b>	Drawing Number <b>KVI_Ø315_EN</b>	Rev	Sheet 1 (1)	