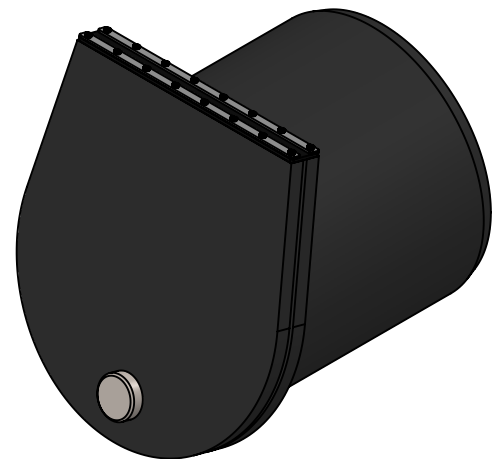
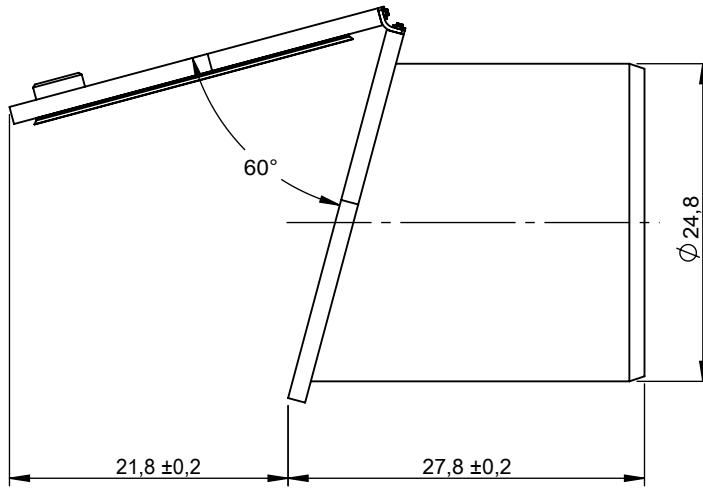


A-A



© 2022 Wapro AB. This document is subject to copyrights owned by Wapro AB. Any amendments, republication, retransmission, and/or reproduction of all or any part of the document is expressly prohibited, unless the copyright owner of the material has expressly granted its prior written consent. All other rights are reserved.

Designed By MS	Approved By AE	Created Date 2022-08-29	Units [inch]	General Tolerance	Scale 1:15	
Material			Comment			Updated 25-10-2024
Weight [Lbs] 108,0	Box Volume [ft <sup>3</sup> ]		Description WaFlap Flap valve KVR NPS/OD 25 AISI 316			
 www.wapro.com			Article Number V85076630	Drawing Number KVR Ø630_US	Rev A	Sheet 1 (1)